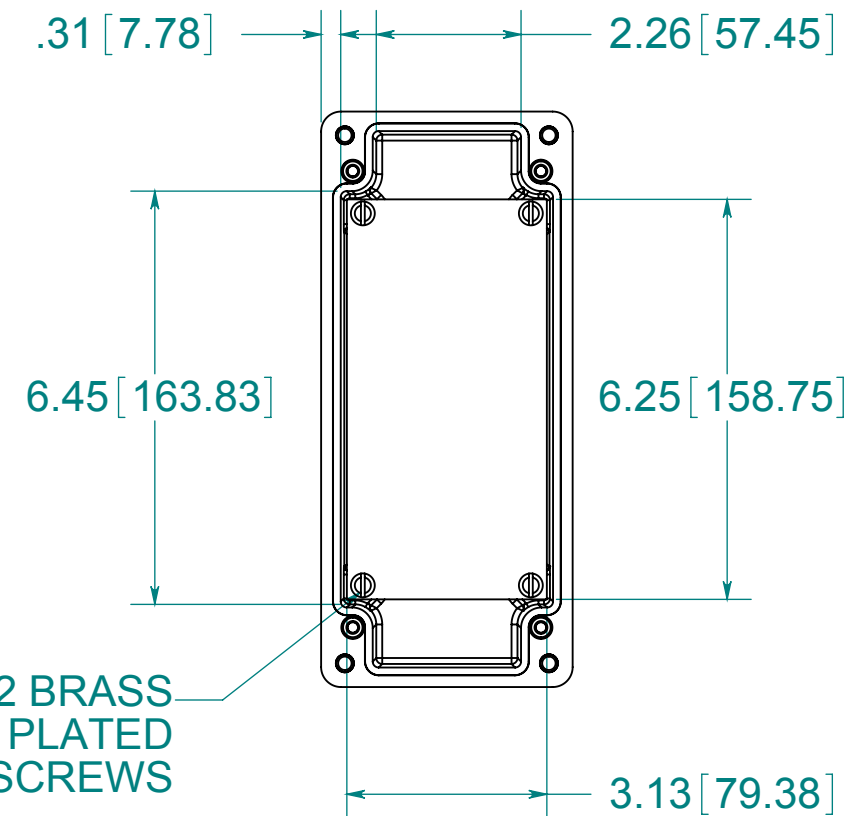
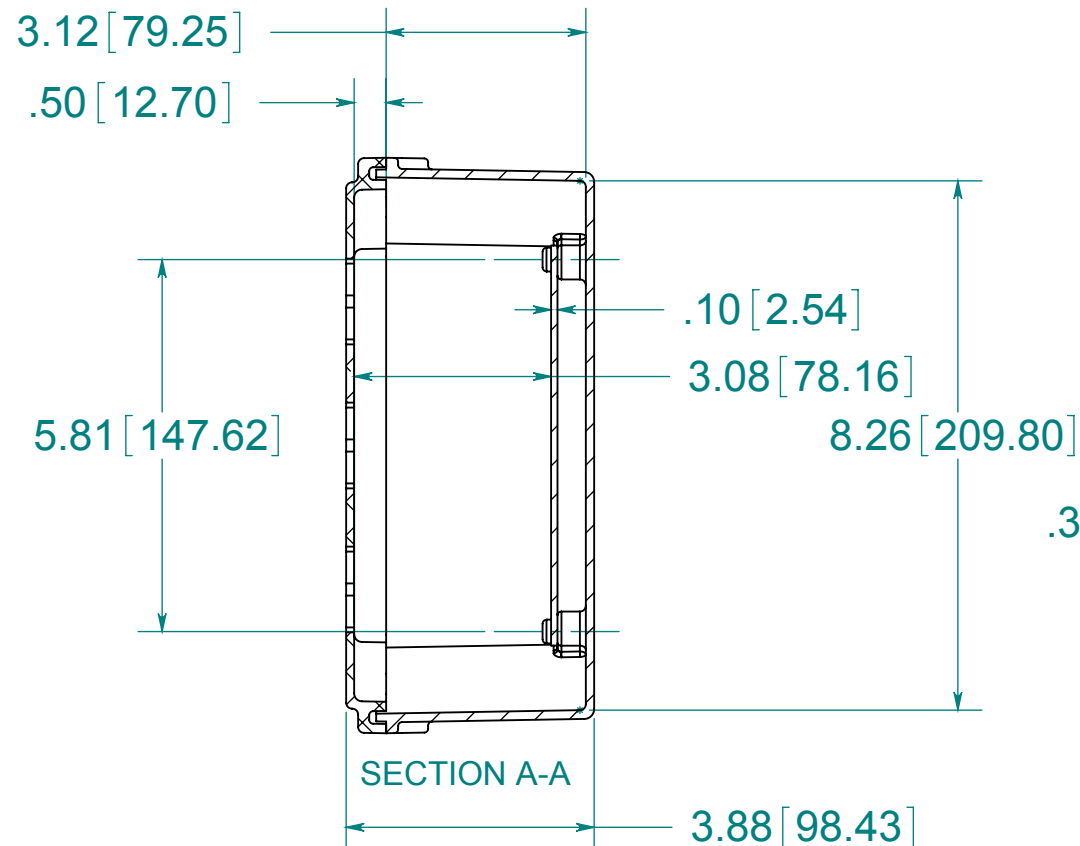
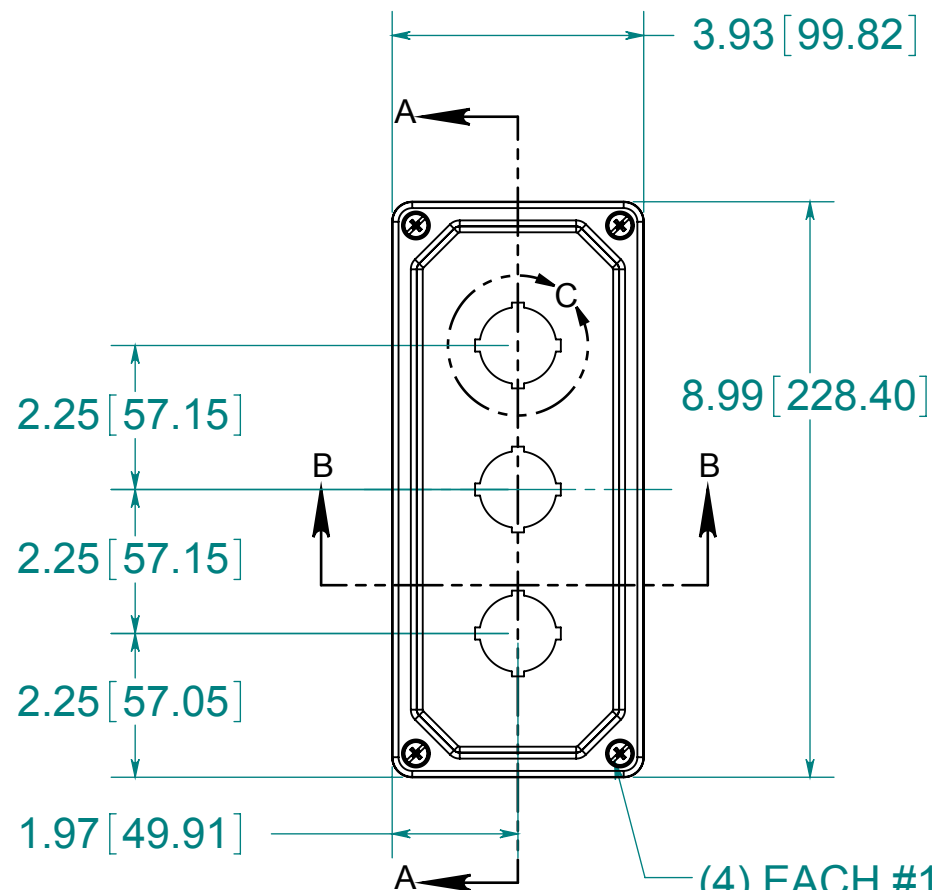


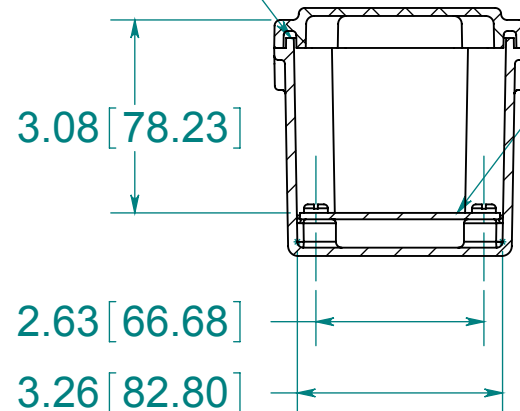
DATE	REV.	DESCRIPTION	DR	CK	REL



(4) EACH #10-32 BRASS INSERTS, AND STAINLESS STEEL COVER SCREWS

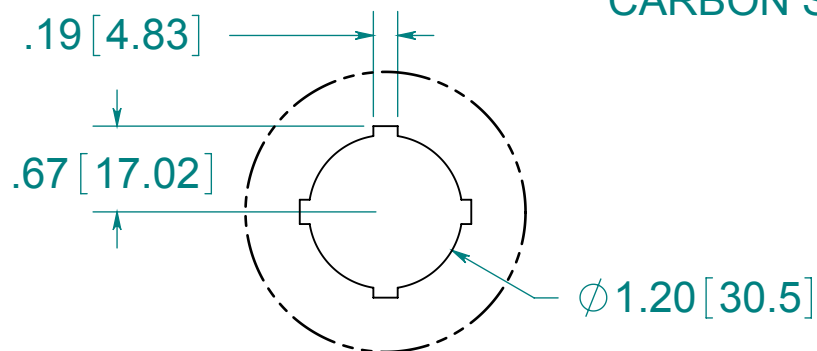
CLOSED CELL NEOPRENE GASKET

SECTION B-B



OPTIONAL BACK PANEL ALUMINUM- 0.100 TH'K FIBERGLASS- 0.125 TH'K

30.5mm HOLE DETAIL



DETAIL C SCALE 2 : 3

(4) EACH #10-32 BRASS INSERTS AND PLATED CARBON STEEL SCREWS

MATERIAL:

BOX & COVER- COMPRESSION MOLDED FIBERGLASS REINFORCED POLYESTER

CONFIDENTIAL

THIS MATERIAL IS OWNED BY THE ALLIED MOULDED PRODUCTS COMPANY, IS DISCLOSED IN CONFIDENCE, AND IS NOT TO BE REPRODUCED OR DISTRIBUTED WITHOUT PRIOR WRITTEN PERMISSION FROM ALLIED MOULDED PRODUCTS.



ALLIED MOULDED PRODUCTS BRYAN, OHIO

The Original Fiber Glass Outlet Box

Description

AM- PUSHBUTTON

Part No.

AM3PB