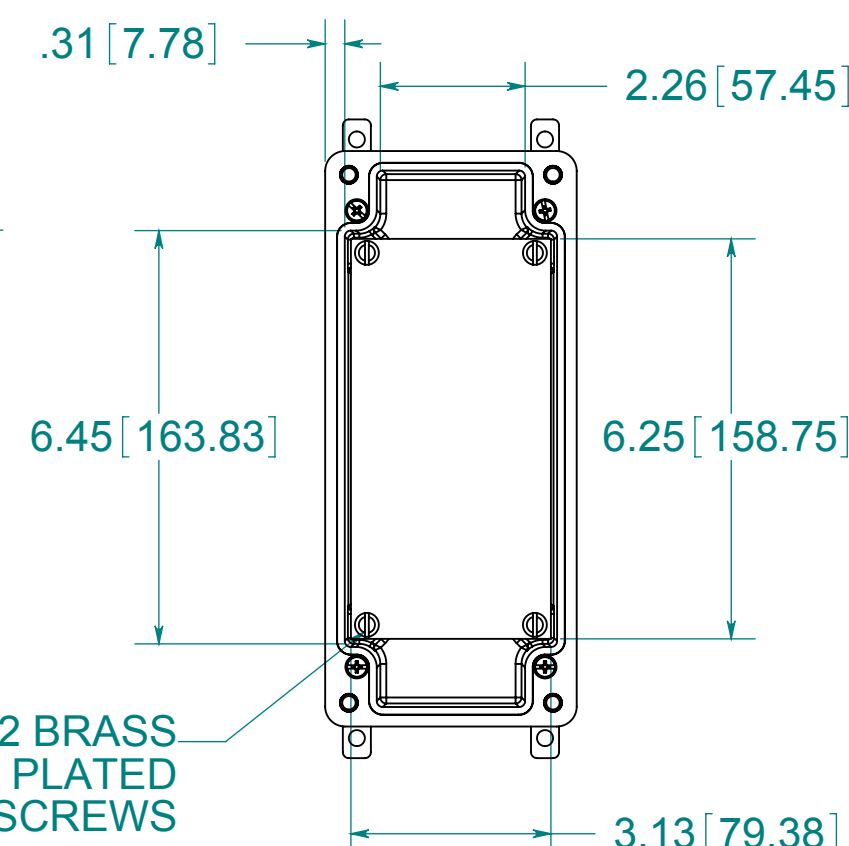
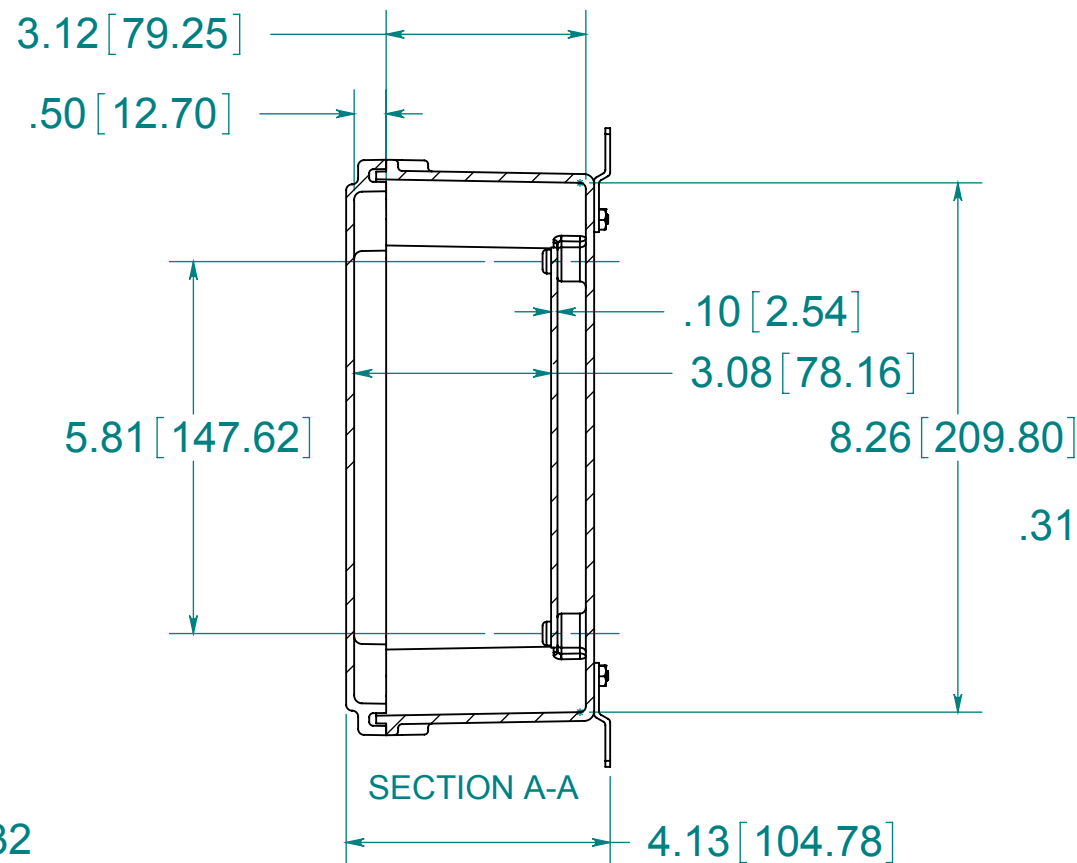
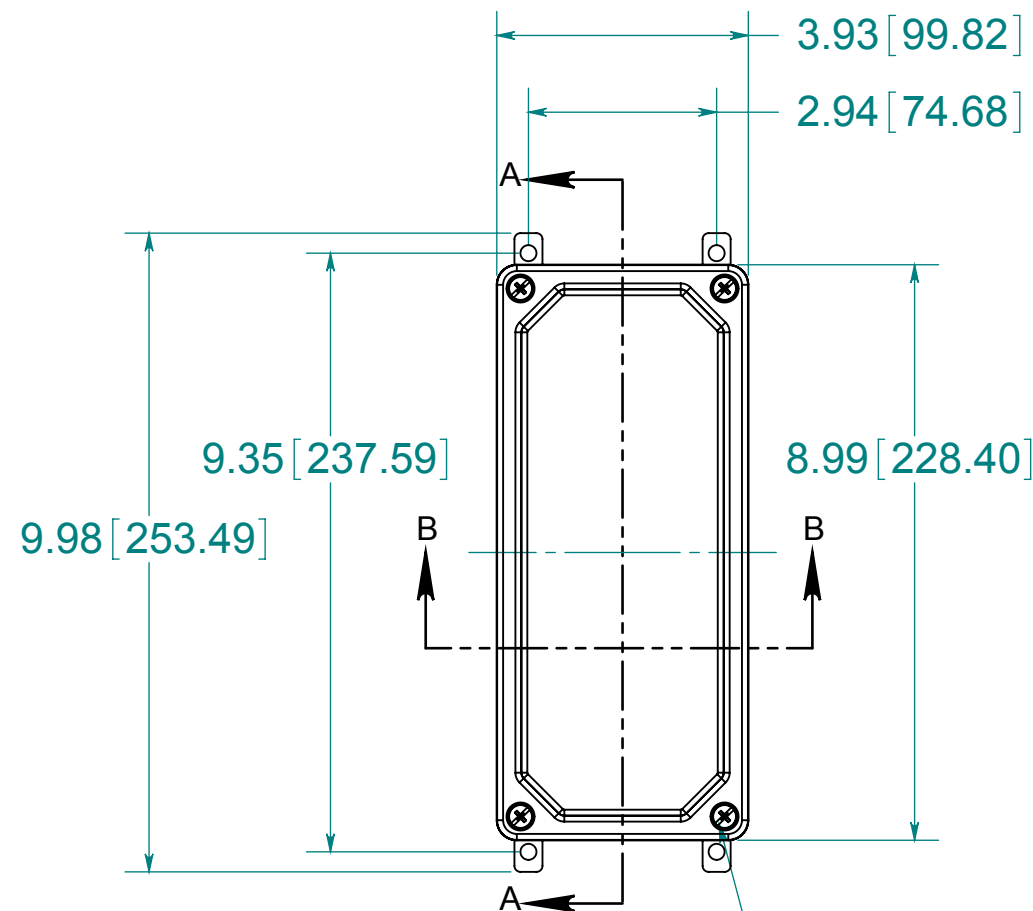


DATE	REV.	DESCRIPTION	DR	CK	REL



CLOSED CELL NEOPRENE GASKET

SECTION B-B

3.08 [78.23]

2.63 [66.68]

3.26 [82.80]

OPTIONAL BACK PANEL
ALUMINUM- 0.100 TH'K
FIBERGLASS- 0.125 TH'K

(4) STAINLESS STEEL MOUNTING FEET

(4) EACH #10-32 BRASS INSERTS, AND STAINLESS STEEL COVER SCREWS

(4) EACH #10-32 BRASS INSERTS AND PLATED CARBON STEEL SCREWS

MATERIAL:
BOX & COVER- COMPRESSION MOLDED FIBERGLASS REINFORCED POLYESTER

CONFIDENTIAL
THIS MATERIAL IS OWNED BY THE ALLIED MOULDED PRODUCTS COMPANY, IS DISCLOSED IN CONFIDENCE, AND IS NOT TO BE REPRODUCED OR DISTRIBUTED WITHOUT PRIOR WRITTEN PERMISSION FROM ALLIED MOULDED PRODUCTS.



ALLIED MOULDED PRODUCTS
BRYAN, OHIO
The Original Fiber Glass Outlet Box

Description
AM- SMALL JBOX

Part No.
AM943