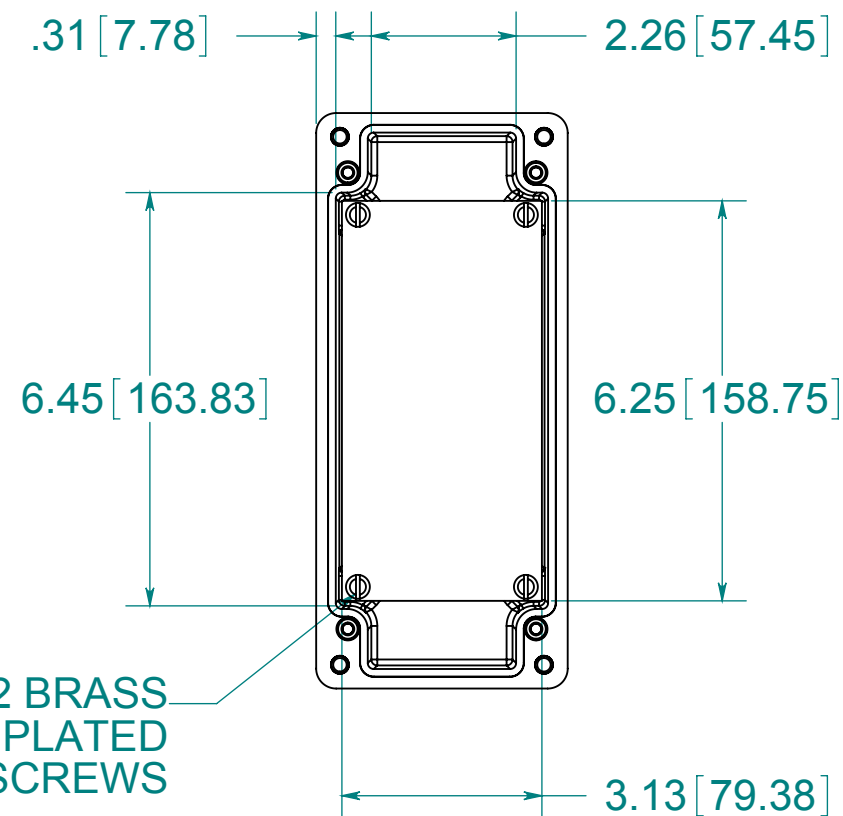
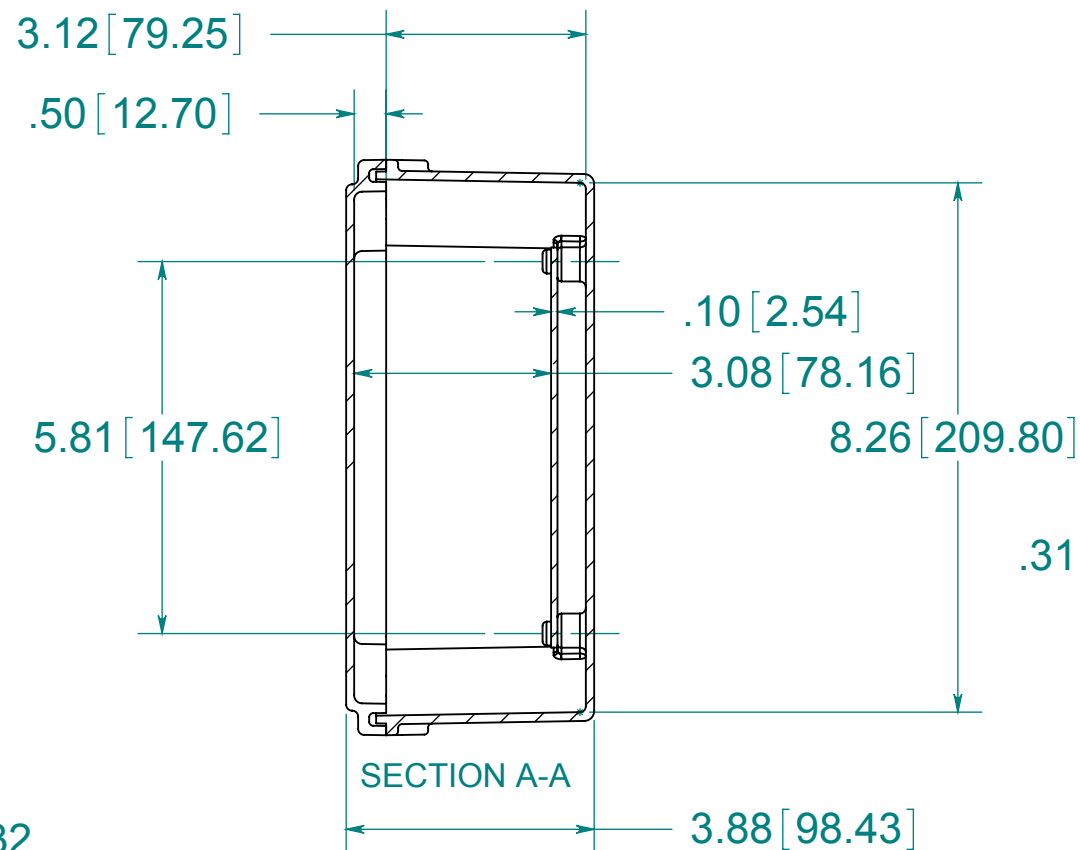
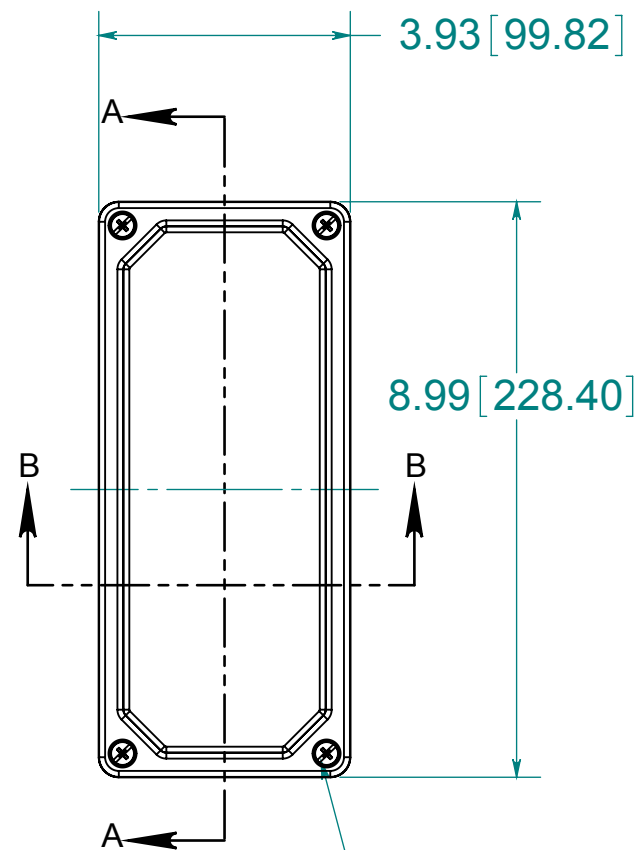


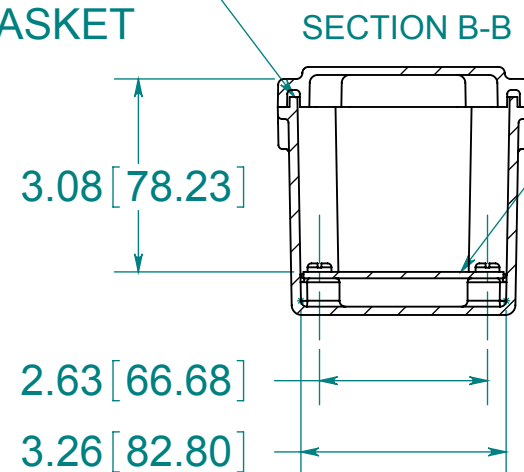
DATE	REV.	DESCRIPTION	DR	CK	REL



(4) EACH #10-32 BRASS INSERTS, AND STAINLESS STEEL COVER SCREWS

(4) EACH #10-32 BRASS INSERTS AND PLATED CARBON STEEL SCREWS

CLOSED CELL NEOPRENE GASKET



OPTIONAL BACK PANEL ALUMINUM- 0.100 TH'K FIBERGLASS- 0.125 TH'K

**MATERIAL:**  
BOX & COVER- COMPRESSION MOLDED FIBERGLASS REINFORCED POLYESTER

**CONFIDENTIAL**  
THIS MATERIAL IS OWNED BY THE ALLIED MOULDED PRODUCTS COMPANY, IS DISCLOSED IN CONFIDENCE, AND IS NOT TO BE REPRODUCED OR DISTRIBUTED WITHOUT PRIOR WRITTEN PERMISSION FROM ALLIED MOULDED PRODUCTS.



Description  
**AM- SMALL JBOX**

Part No.  
**AM943SF**