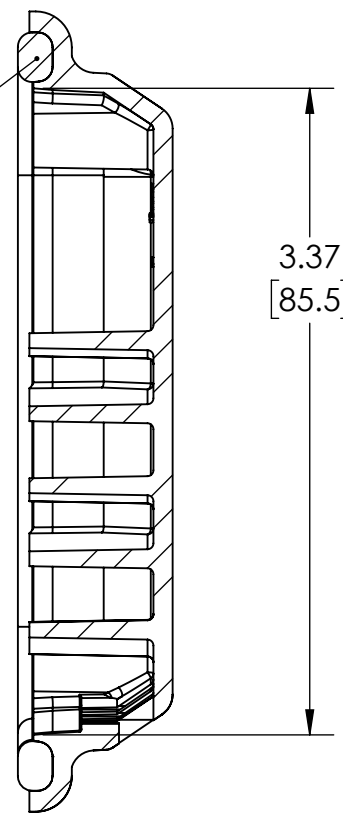
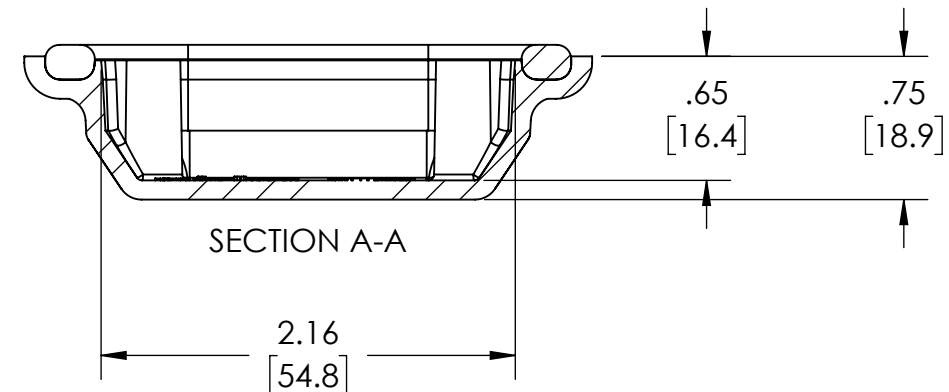




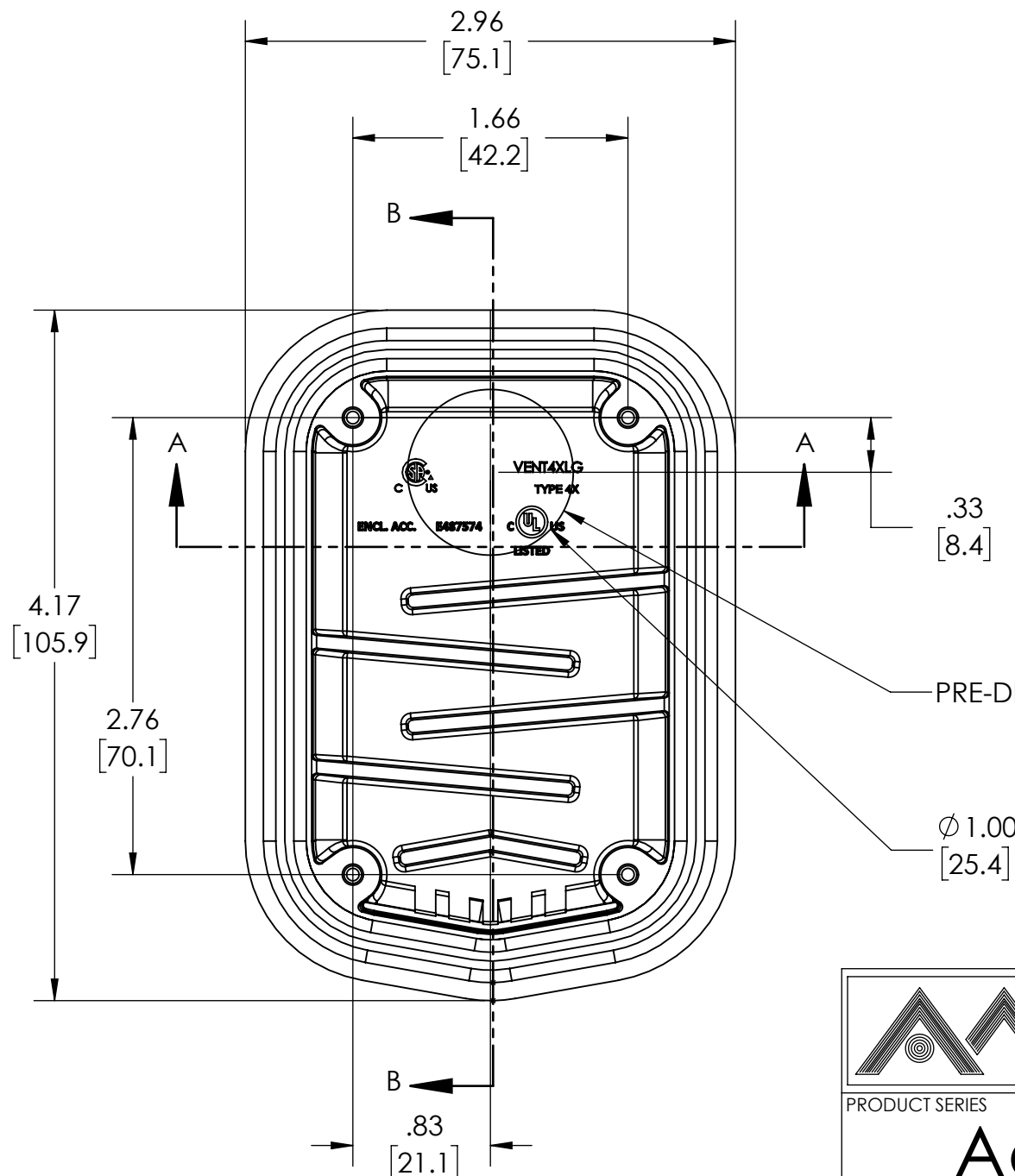
FIP POLYURETHANE GASKET



SECTION B-B



SECTION A-A



MATERIAL:  
 BOX: INJECTION MOLDED POLYCARBONATE  
 SCREWS: (4) INCLUDED FOR MOUNTING, 316 S.S.  
 #8-18 X 1/2" LONG

NOTE: DATA SUBJECT TO CHANGE

**CONFIDENTIAL**  
 THIS MATERIAL IS OWNED BY THE ALLIED MOULDED PRODUCTS COMPANY, IS DISCLOSED IN CONFIDENCE, AND IS NOT TO BE REPRODUCED OR DISTRIBUTED WITHOUT PRIOR WRITTEN PERMISSION FROM ALLIED MOULDED PRODUCTS.



**ALLIED MOULDED PRODUCTS**  
 BRYAN, OHIO  
 The Original Fiber Glass Outlet Box

PRODUCT SERIES

# Access-Indus

Part No.

# AMVENT4XLG