

HMI Cover Kit

Human Machine Interface Cover Kit

Base P/N AMHMI

Allied Moulded's HMI cover kits are designed to provide protection for instruments or electronics requiring routine attention or detail and makes accessibility to electronic components easy! The kits are available in a variety of sizes to accommodate varying HMI display sizes and panel configurations, and securely mount to the outside of any enclosure option.

The cover kits feature a strong and rigid design and are well suited for a variety of indoor or outdoor applications. They are UL® listed and come standard with multiple cover latching options, and are available in solid opaque or polycarbonate thermoplastic clear covers for easy component visibility.



Cover Latching Options

Including hinged screw cover, tamper proof screw cover, and snap latch models for secure cover installation and security for every application.



Secure Hinge Pin

Made from 316 stainless steel, keeps cover secure, protecting from outdoor elements such as UV, dirt, dust, oil, and water.



Formed-In-Place Gasket

Made with strong polyurethane, protects HMI equipment and electronics, while providing a reliable NEMA 4X seal between cover and cover kit option.



Prop Arm

Prop arms secure the HMI cover in the "open" position, allowing easy access to your electrical components. Can be mounted on the left or right of the frame.

APPLICATION

- Ideal for covering and protecting instruments or electronics through an enclosure wall, while maintaining all applicable standards and classifications
- No need to open the enclosure to view electronics or perform maintenance, decreasing arc flash risks and safety hazards
- Includes mounting hole pattern for easy cover kit installation
- Protects from UV, dirt, dust, oil and water

STANDARDS

- UL® listed and recognized component for use with CSA® listed enclosure products Types 1, 2, 3, 3R, 4, 4X, 12 and 13
- EN / IEC 60204-1 and 60529 Type IP66

CONSTRUCTION

- Clear polycarbonate thermoplastic, or polycarbonate for opaque covers
- 316 stainless steel external cover latching hardware and hinge pin
- UV stabilized for outdoor use
- Formed-In-Place (FIP) polyurethane gasket in continuous channel
- Designed for use with wall thicknesses from 16 gauge through 1/4"
- #10-32 threaded brass inserts with plated steel mounting fasteners



Scan to learn more about HMI Cover Kits!

ENCLOSURE ACCESSORIES

- HMI Prop Arm (add-on for HMI Covers)
- ULTRAPLUG® Hole Plug Assemblies
- Pole Mount Kits
- Inspection Window Kit
- Back Panels
- Hinged Front Panels
- Exhaust Filter Kits
- NEMA 4X Vent Kit

CONTACT INFORMATION

Allied Moulded Products Inc.
222 North Union Street
Bryan, OH 43506 USA

Phone: 1-800-722-2679

Fax: 1-800-237-7269

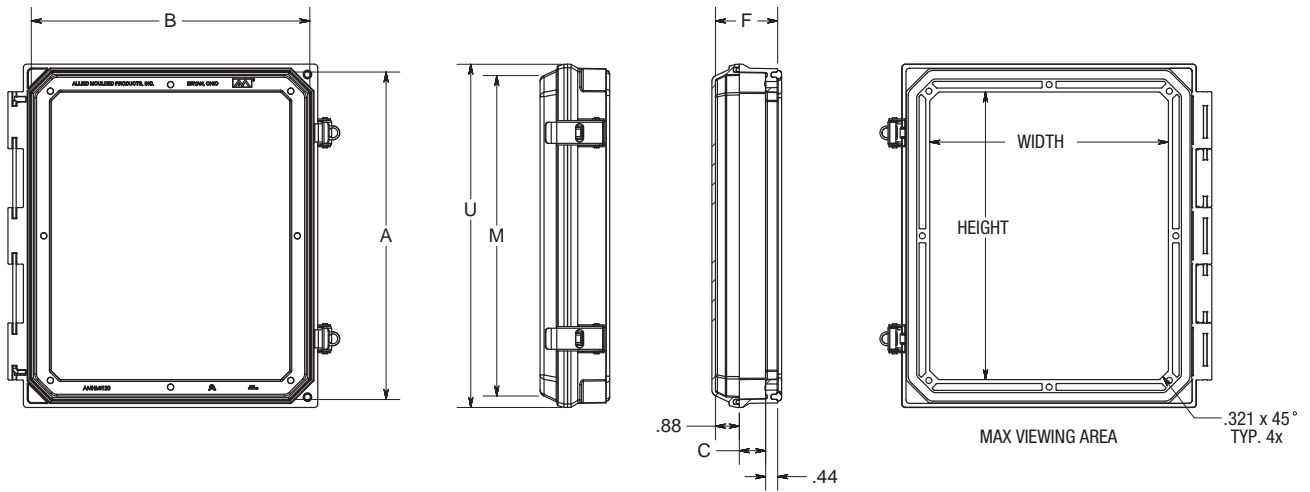
Email: sales@alliedmoulded.com



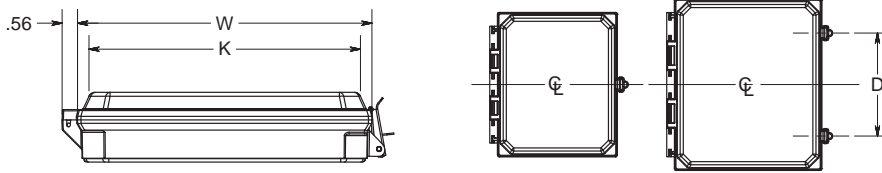
**ALLIED
MOULDED
PRODUCTS, Inc.**



www.alliedmoulded.com



LATCH LOCATIONS



FOR USE ON
8X8
10X8

FOR USE ON
12x10 D=7.5 (191mm)
14x12 D=8.00 (203mm)
16x14 D=9.00 (229mm)
20x16 D=16.81 (427mm)

Note: For use on flat smooth surfaces of NEMA Types 1, 3, 3R, 4, 4X, 12 or 13 enclosures



Part No. Configuration Options	
Part No. Suffix	Description
CCH	Clear Cover Hinge / 2 Screws
CCHTP	Clear Cover Hinge Tamper Proof Screw
CCL	Clear Cover Hinge Snap Latch
H	Opaque Cover Hinge / 2 Screws
HTP	Opaque Cover Hinge Tamper Proof Screw
L	Opaque Cover Hinge Snap Latch

Prop Arm Size Configuration	
HMI Size	Part No.
8"x8"	AMHMIPROP88
10"x8"	AMHMIPROP108
12"x10"	AMHMIPROP120
14"x12"	AMHMIPROP142
16"x14"	AMHMIPROP164
20"x16"	AMHMIPROP206

Base Part No.	Frame Size Inside Dimensions			Usable Depth	Cover Size				Max Viewing Area		Nom. Wall Thickness
	A	B	C		F	K	M	W	U	Width	
AMHM188	7.93	8.15	0.96	2.27	7.75	7.53	8.72	8.5	6.69	6.47	0.14
	201mm	207mm	24mm	58mm	197mm	191mm	221mm	216mm	170mm	164mm	4mm
AMHM108	9.93	8.15	0.96	2.27	7.89	9.67	8.72	10.5	6.69	8.47	0.14
	252mm	207mm	24mm	58mm	200mm	246mm	221mm	267mm	170mm	215mm	4mm
AMHM120	11.93	10.15	0.96	2.27	9.89	11.67	10.72	12.5	8.69	10.47	0.14
	303mm	258mm	24mm	58mm	251mm	296mm	272mm	318mm	221mm	266mm	4mm
AMHM142	13.95	12.07	0.96	2.2	11.89	13.67	12.72	14.5	10.71	12.49	0.19
	354mm	307mm	24mm	56mm	302mm	347mm	323mm	368mm	272mm	317mm	5mm
AMHM164	15.87	14.07	0.96	2.2	13.89	14.72	14.72	16.5	12.71	14.49	0.19
	403mm	357mm	24mm	56mm	353mm	374mm	374mm	419mm	323mm	368mm	5mm
★ AMHM206	19.85	16.07	0.96	2.27	15.75	19.53	16.72	20.5	14.71	18.49	0.19
	504mm	408mm	24mm	58mm	400mm	496mm	425mm	521mm	374mm	470mm	5mm

All dimensions are in inches unless otherwise noted
 Base part number listed only. To complete part number, refer to the "Part # Suffix" chart above
 Refer to website for complete mounting hole pattern configuration
 ★ Coming Q2, 2018

Add the "Part No. Suffix" to the base part number to create a complete HMI cover kit (ex. AMHM120CCL is a 12" x 10" with a clear cover and latch)

