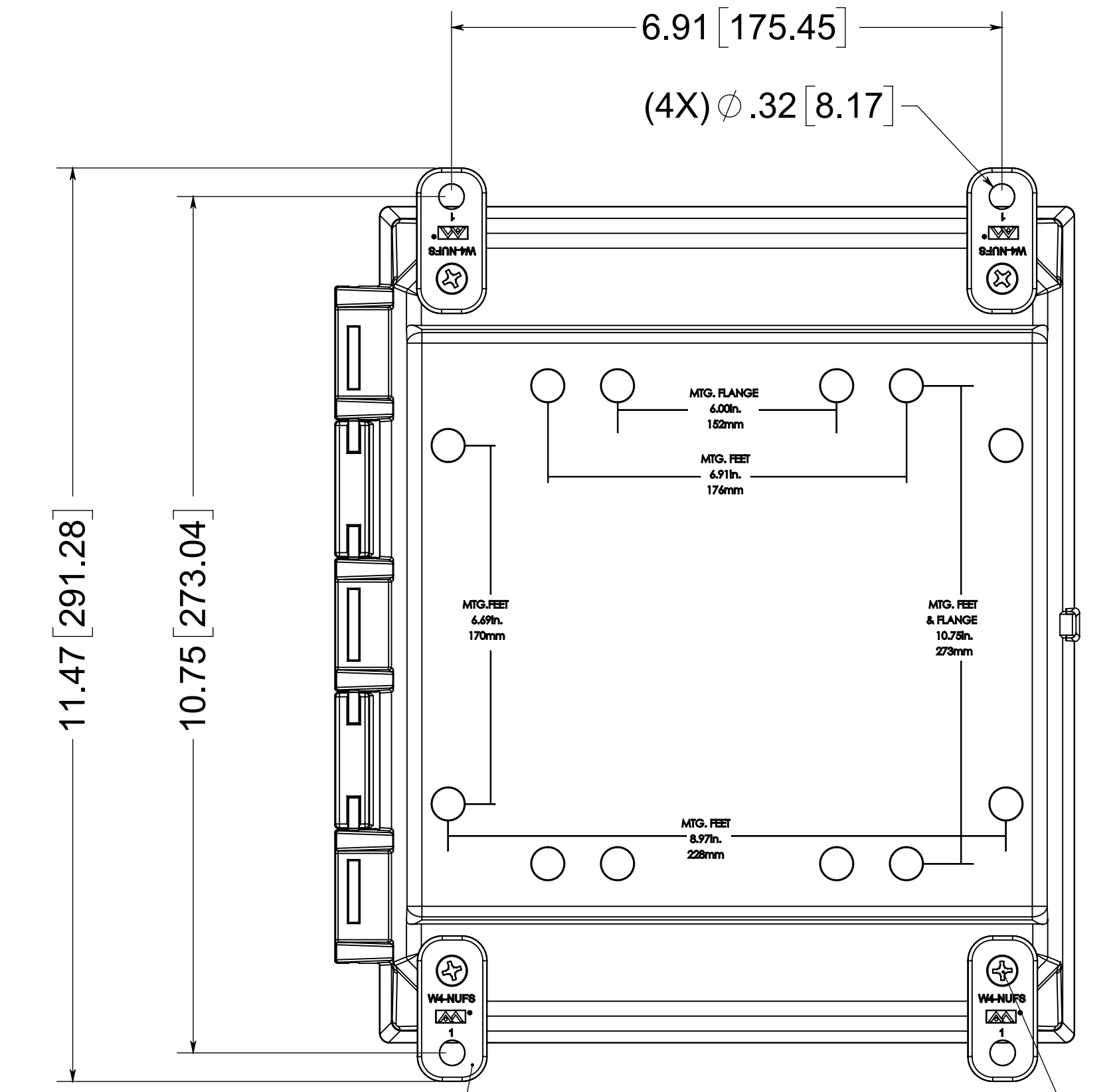
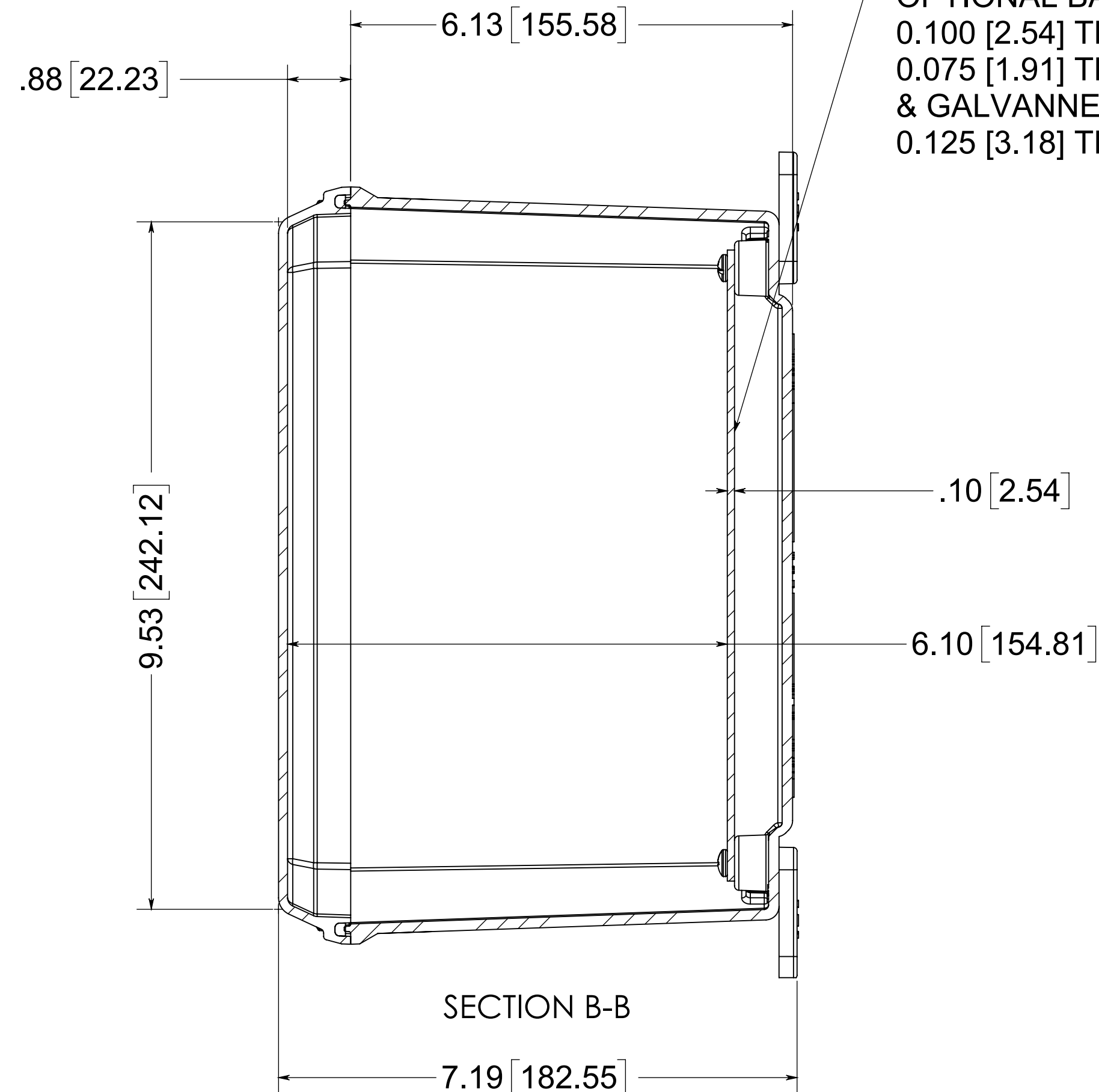
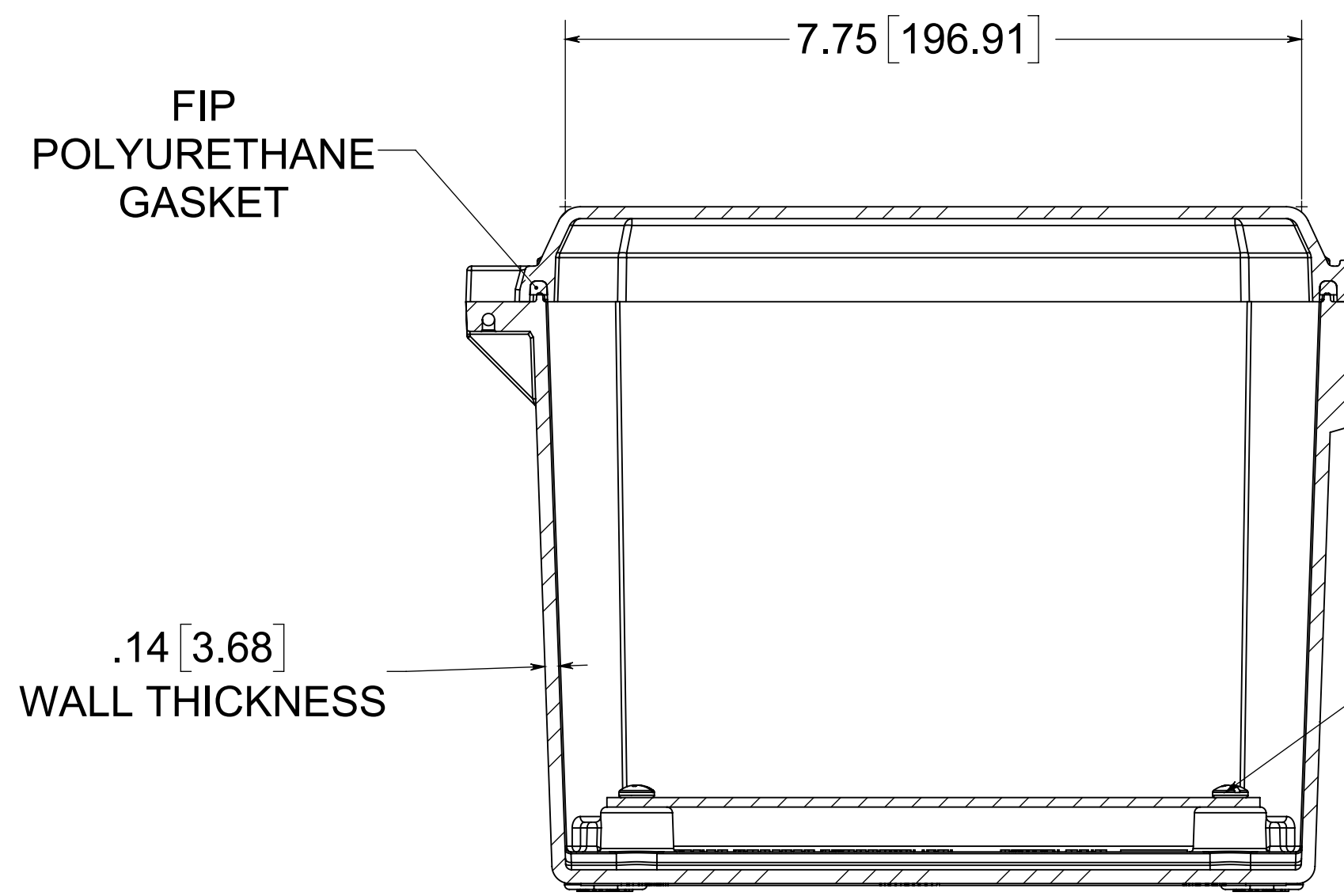


(4X) EACH #10-32 BRASS INSERTS AND 316 STAINLESS STEEL CAPTIVE COVER SCREWS



(4X) POLYCARBONATE FEET

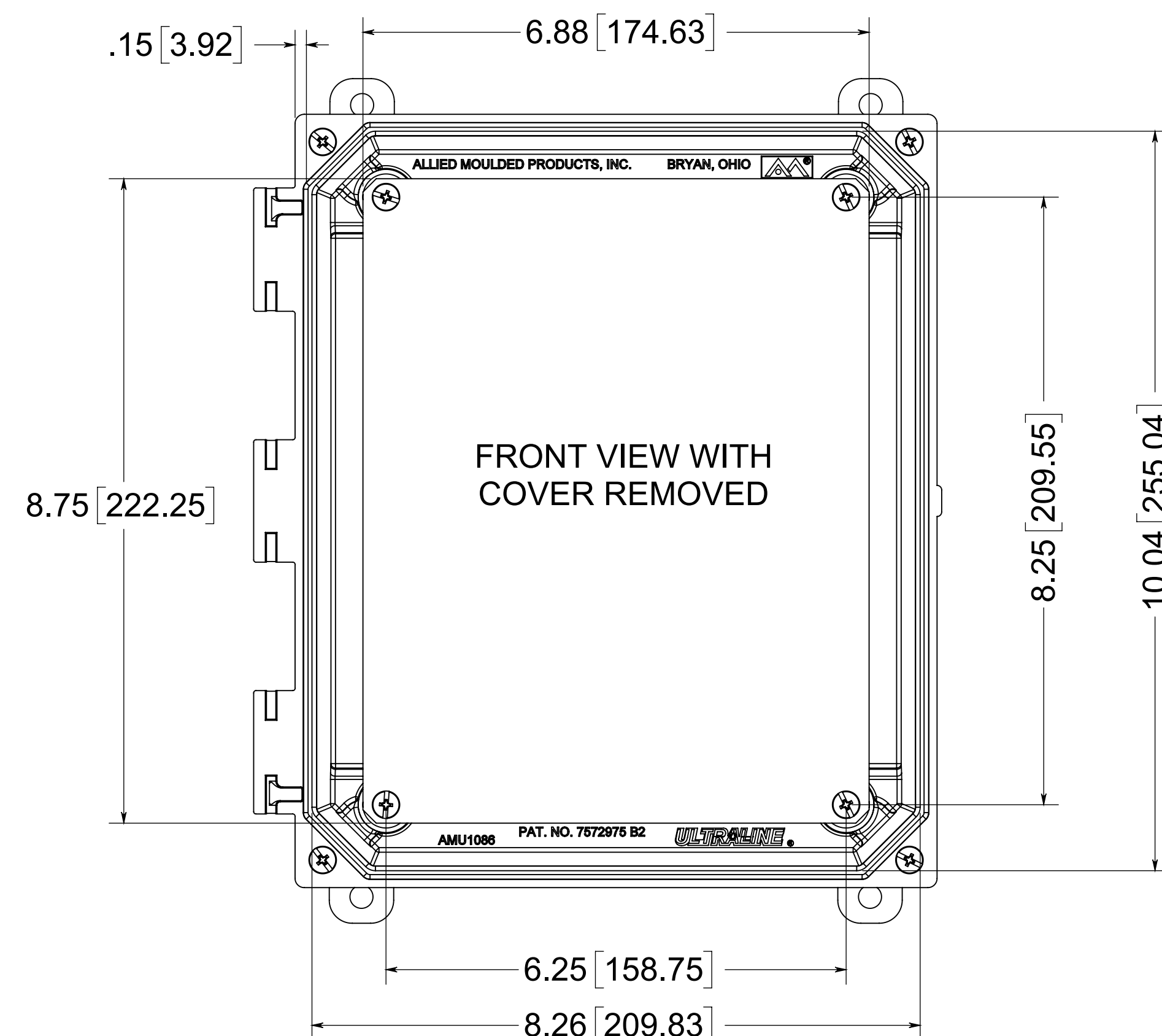
(4X) EACH #10-32 BRASS INSERTS AND 316 STAINLESS STEEL FEET SCREWS



SECTION A-A

MATERIAL:
 BOX - COMPRESSION MOLDED FIBERGLASS REINFORCED POLYESTER
 COVER - COMPRESSION MOLDED FIBERGLASS REINFORCED POLYESTER
 CLEAR COVER - INJECTED POLYCARBONATE

(4X) EACH #10-32 BRASS INSERTS AND PLATED CARBON STEEL SCREW



NOTE:
 1. DATA SUBJECT TO CHANGE WITHOUT NOTICE

CONFIDENTIAL
 THIS MATERIAL IS OWNED BY THE ALLIED MOULDED PRODUCTS COMPANY, IS DISCLOSED IN CONFIDENCE, AND IS NOT TO BE REPRODUCED OR DISTRIBUTED WITHOUT PRIOR WRITTEN PERMISSION FROM ALLIED MOULDED PRODUCTS.
 © Allied Moulded Products, Inc. All Rights Reserved

ALLIED MOULDED PRODUCTS BRYAN, OHIO
 The Original Fiber Glass Outlet Box

Description
AMU Ultraline
AMU1086CC