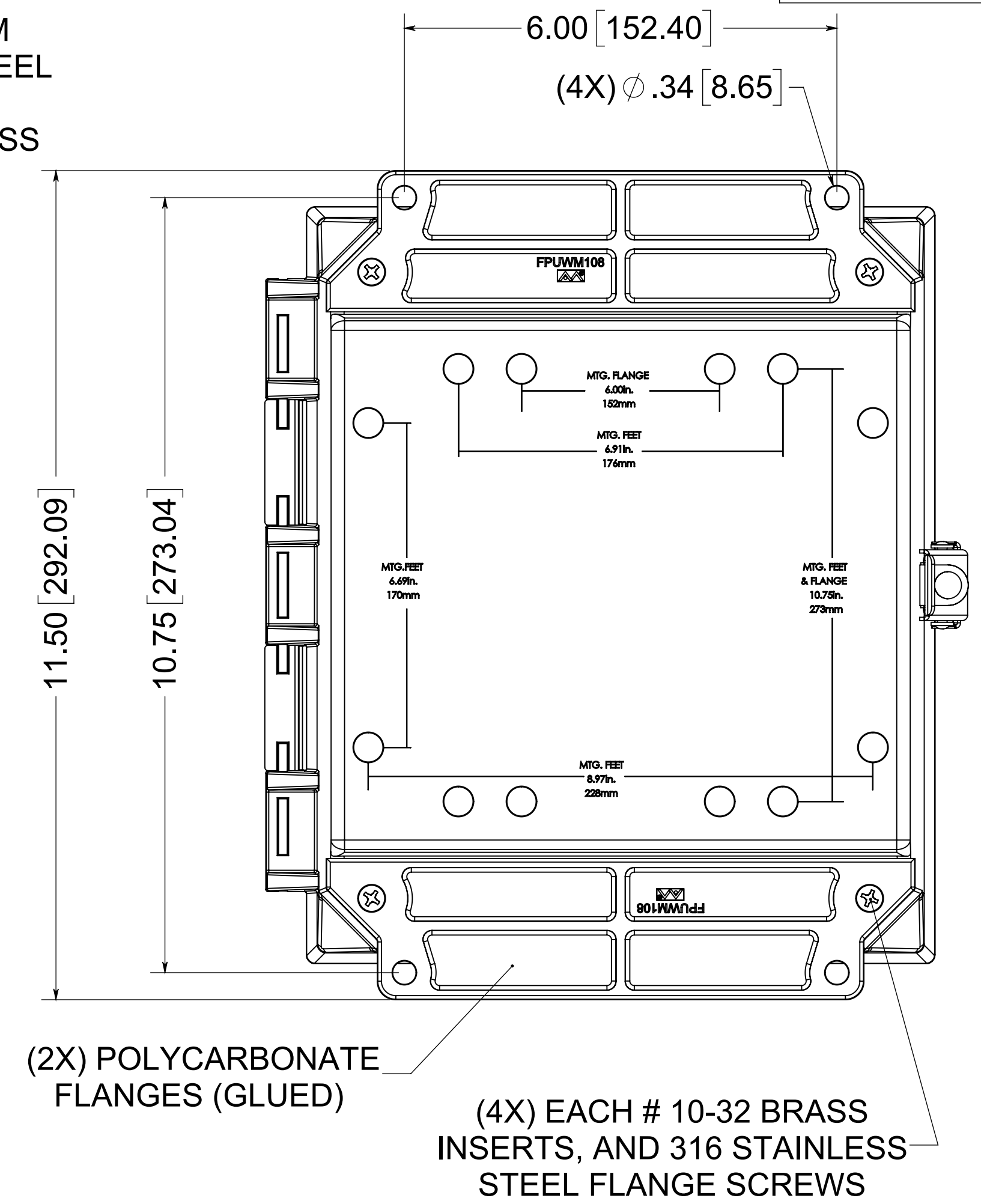
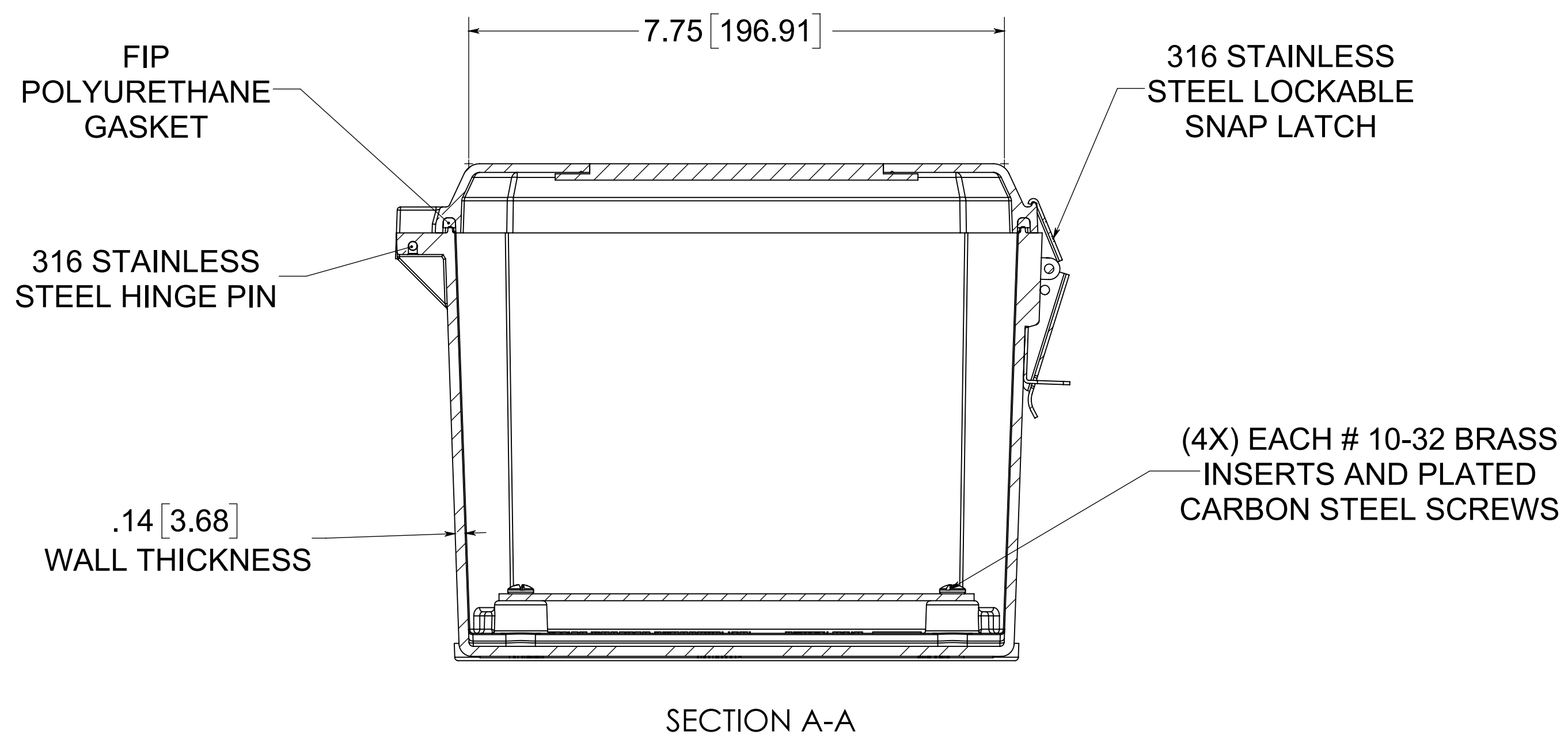


OPTIONAL BACK PANEL
 0.100 [2.54] TH'K - ALUMINUM
 0.075 [1.91] TH'K - WHITE STEEL
 & GALVANNEALED
 0.125 [3.18] TH'K - FIBERGLASS

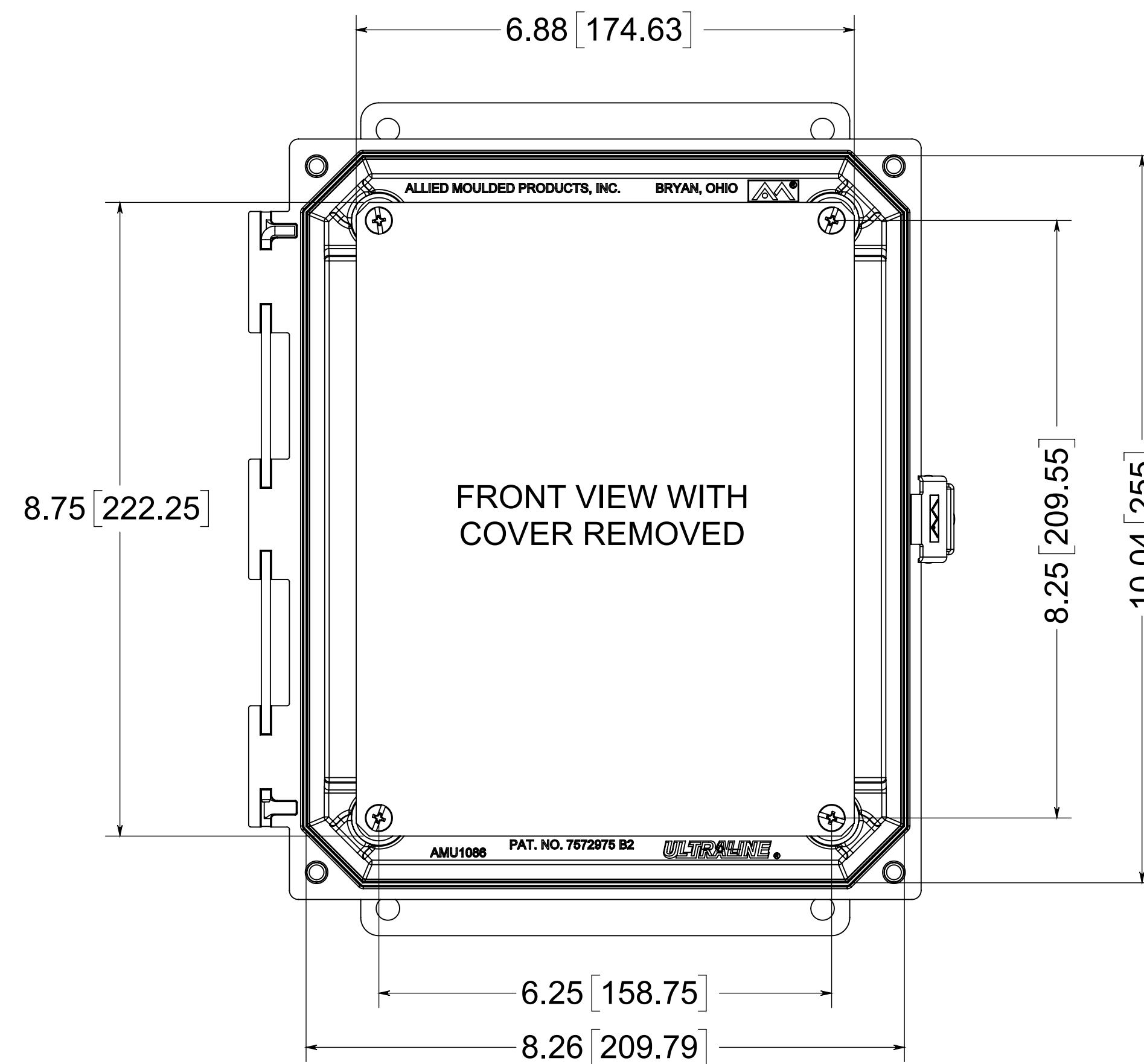


(2X) POLYCARBONATE
 FLANGES (GLUED)

(4X) EACH # 10-32 BRASS
 INSERTS, AND 316 STAINLESS
 STEEL FLANGE SCREWS



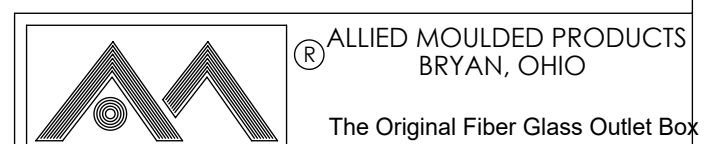
SECTION A-A



FRONT VIEW WITH
 COVER REMOVED

MATERIAL:
 BOX - COMPRESSION MOLDED FIBERGLASS REINFORCED POLYESTER
 COVER - COMPRESSION MOLDED FIBERGLASS REINFORCED POLYESTER
 WINDOW - POLYCARBONATE

NOTE:
 1. DATA SUBJECT TO CHANGE WITHOUT NOTICE



CONFIDENTIAL
 THIS MATERIAL IS OWNED BY THE ALLIED
 MOULDED PRODUCTS COMPANY, IS DISCLOSED
 IN CONFIDENCE, AND IS NOT TO BE REPRODUCED
 OR DISTRIBUTED WITHOUT PRIOR WRITTEN
 PERMISSION FROM ALLIED MOULDED PRODUCTS.
 © Allied Moulded Products, Inc.
 All Rights Reserved

Description
AMU Ultraline
 Part No.
AMU1086LWF