



EMPIRE SERIES FIBERGLASS

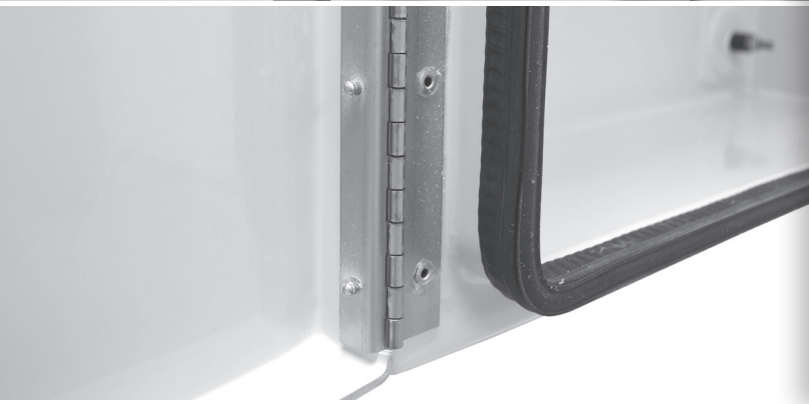
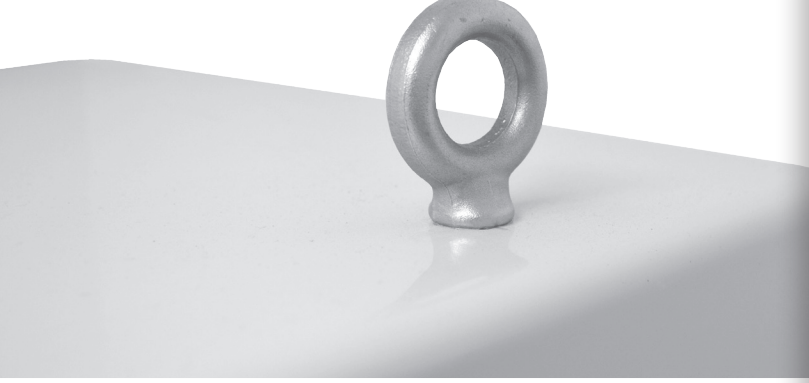
Allied Moulded Empire series wall mount enclosures may be used where contractors are looking for an enclosure that is lighter in weight for easier installation and simple-to-access cabinet doors for easier service capability. Units feature optional 3-point latching cabinet doors or twist latches for convenience.

Designed for large cabinet installations for major industrial and communication applications, our freestanding Empire series cabinets are available in single and double door sizes, and feature a lockable 3-point latching door handle system, while maintaining a NEMA 4X rating.



Scan to learn more





Empire Series Features & Benefits

- Gel coat fiberglass reinforced polyester (FRP) material construction for durability
- Continuous 316 stainless steel hinge
- Flexible, self-gripping gasket compresses over flange for tight seal
- Wall mount units come with two latching options to meet NEMA Type 4X requirements:
 - 316 stainless steel twist latches with padlock hasp
 - Padlockable 3-point latching handles
- Freestanding units have padlockable 3-point latching handles which meet NEMA Type 4X requirements

Empire Series Specifications

- Non-corrosive
- Non-conductive
- Standard RAL 7035 light gray color
- Lightweight vs. stainless steel
- Temperature-resistant
- Fire-resistant
- Rated NEMA 1, 4, and 4X
- UL® listed
- CSA certified
- Compliant with RoHS directive

Accessories

- Optional white painted carbon steel back panels
- ULTRAPLUG® hole plugs
- Pole mount kits
- HMI cover kits
- Inspection Windows

Modifications

We are pleased to modify any of our standard products to fit your needs with:

- Custom holes and cutouts
- Custom size polycarbonate viewing windows
- Molded-in color matches
- EMI/RFI shielding
- Factory-supplied silk screening
- Mounting strut

For complete details on factory modifications including a modification request form, see pages 142-144.

www.alliedmoulded.com

STANDARDS

ULTRAGUARD®

FIBERGLASS

AM SERIES

AM-R

AMHD-R

CONTROL

EMPIRE

ULTALINE®

POLYLIN®

ACCESSORIES

MODS

TECHNICAL

INDEX

Empire Series WALL MOUNT ENCLOSURES

Cover Type

Solid/Opaque

Closure Type

Twist Latch Hinged Cover



Application

Designed to insulate and house electrical and electronic controls, instruments or components for indoor and outdoor applications

- Especially well suited for high temperature or corrosive environments
- Protects from dirt, dust, oil, and water

Standards

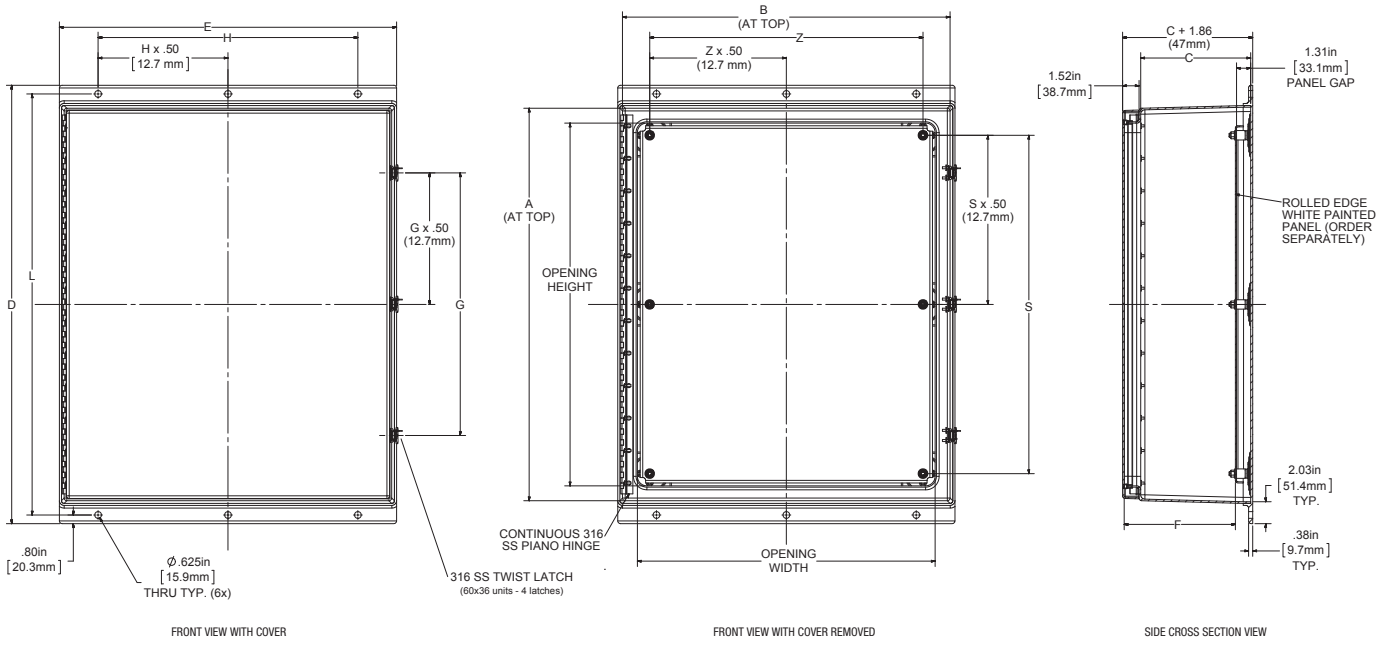
- UL 50 and UL 50E Types 1, 4, and 4X
- CSA C22.2 No. 94 Types 1, 4, and 4X
- Complies with:
 - NEMA Types 1, 4, and 4X
 - IEC 60529 Type IP66
 - RoHS directive

Construction

- Durable, corrosion resistant gel-coat fiberglass material construction
- Resin Transfer Molded (RTM) doors and box construction
- Molded-in mounting flanges
- Soft, self-gripping EPDM gasket, compresses over flange for tight seal
- 316 stainless steel twist latches with padlock hasp (.375" dia.)
- Heavy-duty continuous 316 stainless steel hinge
- Fiberglass material has UV inhibitors which provide idea protection from outdoor weathering

Accessories & Modifications

- Optional painted carbon steel back panels
- Custom size polycarbonate viewing windows
- HMI cover kits
- Inspection windows
- Optional print pocket



NOM. .150 (3.8 mm) WALL THICKNESS

LATCH LOCATIONS

FOR USE ON	FOR USE ON
36x30x16 G=24.26 (616.2mm)	48x36x12 G=36.26 (921mm)
36x36x12 G=24.26 (616.2mm)	48x36x16 G=36.26 (921mm)
36x36x16 G=24.26 (616.2mm)	60x36x12 G=48.26 (1225.80mm)
	60x36x16 G=48.26 (1225.80mm)

Part No.	Box Size At Top			Overall Box Dimensions		Usable Depth F	Flange Mount		Opening		Panel Studs			Panel Size		
	A	B	C	D	E		H	L	Ht.	Wid.	Studs	S	Z	Ht.	Wid.	P/N
AM363016L	36.05	30.05	14.16	40.50	31.15	14.27	24.00	38.90	33.51	27.51	6	31.26	25.25	33.00	27.00	P3630CS
	916mm	763mm	360mm	1,029mm	791mm	362mm	610mm	988mm	851mm	699mm		794mm	641mm	838mm	686mm	
AM363612L	36.25	36.25	10.16	40.50	37.15	10.27	30.00	38.90	33.51	33.51	8	31.26	31.26	33.00	33.00	P3636CS
	921mm	921mm	258mm	1,029mm	944mm	261mm	762mm	988mm	851mm	851mm		794mm	794mm	838mm	838mm	
AM363616L	36.05	36.05	14.16	40.50	37.15	14.27	30.00	38.90	33.51	33.51	8	31.26	31.26	33.00	33.00	P3636CS
	916mm	916mm	360mm	1,029mm	944mm	362mm	762mm	988mm	851mm	851mm		794mm	794mm	838mm	838mm	
AM483612L	48.25	36.25	10.16	52.50	37.15	10.27	30.00	50.90	45.51	33.51	8	43.26	31.26	45.00	33.00	P4836CS
	1,226mm	921mm	258mm	1,334mm	944mm	261mm	762mm	1,293mm	1,156mm	851mm		1,099mm	794mm	1,143mm	838mm	
AM483616L	48.05	36.05	14.16	52.50	37.15	14.27	30.00	50.90	45.51	33.51	8	43.26	31.26	45.00	33.00	P4836CS
	1,220mm	916mm	360mm	1,334mm	944mm	362mm	762mm	1,293mm	1,156mm	851mm		1,099mm	794mm	1,143mm	838mm	
AM603612L	60.25	36.25	10.16	64.50	37.15	10.27	30.00	62.90	57.51	33.51	8	55.26	31.26	57.00	33.00	P6036CS
	1,530mm	921mm	258mm	1,638mm	944mm	261mm	762mm	1,598mm	1,461mm	851mm		1,404mm	794mm	1,448mm	838mm	
AM603616L	60.05	36.05	14.16	64.50	37.15	14.27	30.00	62.90	57.51	33.51	8	55.26	31.26	57.00	33.00	P6036CS
	1,525mm	915mm	360mm	1,638mm	944mm	362mm	762mm	1,598mm	1,461mm	851mm		1,404mm	794mm	1,448mm	838mm	

All dimensions are in inches unless otherwise noted

Data subject to change without notice



Empire Series WALL MOUNT ENCLOSURES

Cover Type

Solid/Opaque

Closure Type

3-Point Latch Hinged Cover



Application

Designed to insulate and house electrical and electronic controls, instruments or components for indoor and outdoor applications

- Especially well suited for high temperature or corrosive environments
- Protects from dirt, dust, oil, and water

Standards

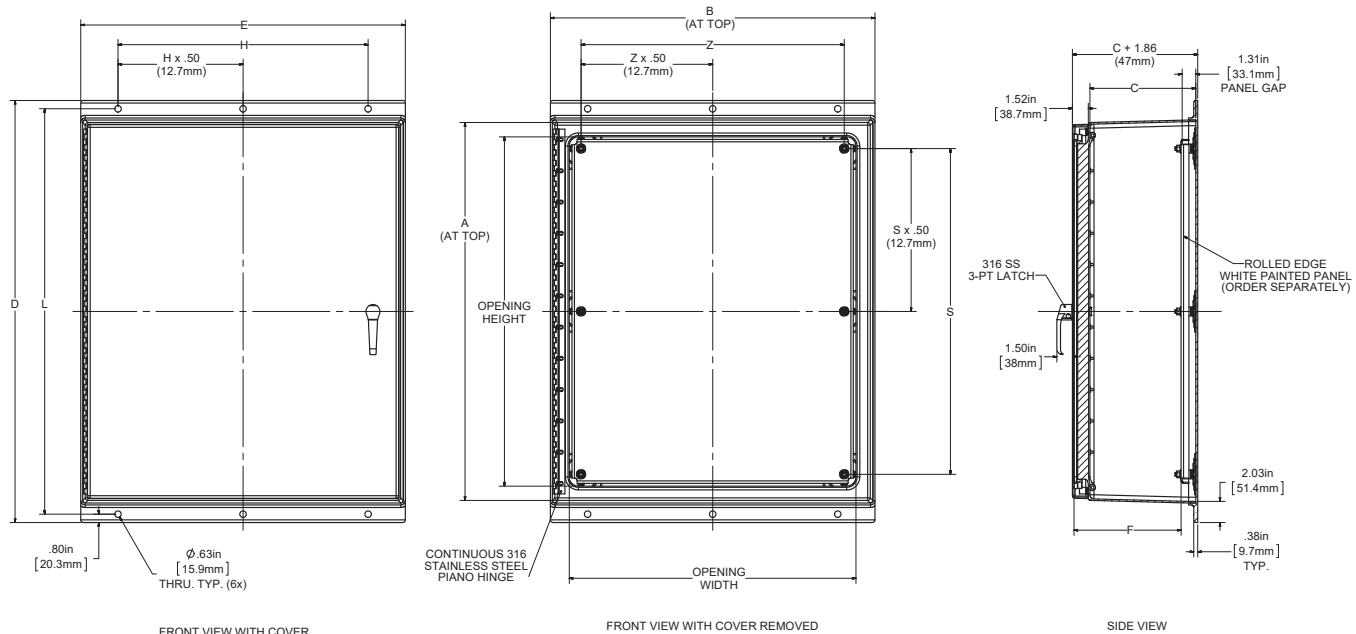
- UL 50 and UL 50E Types 1, 4, and 4X
- CSA C22.2 No. 94 Types 1, 4, and 4X
- Complies with:
 - NEMA Types 1, 4, and 4X
 - IEC 60529 Type IP66
 - RoHS directive

Construction

- Durable, corrosion resistant gel-coat fiberglass material construction
- Resin Transfer Molded (RTM) doors and box construction
- Molded-in mounting flanges
- Soft, self-gripping EPDM gasket, compresses over flange for tight seal
- 316 stainless steel 3-point latching handle with padlock provision
- Heavy-duty continuous 316 stainless steel hinge
- Fiberglass material has UV inhibitors which provide idea protection from outdoor weathering

Accessories & Modifications

- Optional painted carbon steel back panels
- Custom size polycarbonate viewing windows
- HMI cover kits
- Inspection windows
- Optional print pocket



NOM. .150 (3.8mm) WALL THICKNESS

Part No.	Box Size At Top			Overall Box Dimensions		Usable Depth	Flange Mount		Opening		Panel Studs		Panel Size			
	A	B	C	D	E		F	H	L	Ht.	Wid.	Studs	S	Z	Ht.	Wid.
AM363016L3PT	36.05	30.05	14.16	40.50	31.15	14.27	24.00	38.90	33.51	27.51	6	31.26	25.25	33.00	27.00	P3630CS
	916mm	763mm	360mm	1,029mm	791mm	362mm	610mm	988mm	851mm	699mm		794mm	641mm	838mm	686mm	
AM363612L3PT	36.25	36.25	10.16	40.50	37.15	10.27	30.00	38.90	33.51	33.51	8	31.26	31.26	33.00	33.00	P3636CS
	921mm	921mm	258mm	1,029mm	944mm	261mm	762mm	988mm	851mm	851mm		794mm	794mm	838mm	838mm	
AM363616L3PT	36.05	36.05	14.16	40.50	37.15	14.27	30.00	38.90	33.51	33.51	8	31.26	31.26	33.00	33.00	P3636CS
	916mm	916mm	360mm	1,029mm	944mm	362mm	762mm	988mm	851mm	851mm		794mm	794mm	838mm	838mm	
AM483612L3PT	48.25	36.25	10.16	52.50	37.15	10.27	30.00	50.90	45.51	33.51	8	43.26	31.26	45.00	33.00	P4836CS
	1,228mm	921mm	258mm	1,334mm	944mm	261mm	762mm	1,293mm	1,156mm	851mm		1,099mm	794mm	1,143mm	838mm	
AM483616L3PT	48.05	36.05	14.16	52.50	37.15	14.27	30.00	50.90	45.51	33.51	8	43.26	31.26	45.00	33.00	P4836CS
	1,220mm	916mm	360mm	1,334mm	944mm	362mm	762mm	1,293mm	1,156mm	851mm		1,099mm	794mm	1,143mm	838mm	
AM603612L3PT	60.25	36.25	10.16	64.50	37.15	10.27	30.00	62.90	57.51	33.51	8	55.26	31.26	57.00	33.00	P6036CS
	1,530mm	921mm	258mm	1,638mm	944mm	261mm	762mm	1,598mm	1,461mm	851mm		1,404mm	794mm	1,448mm	838mm	
AM603616L3PT	60.05	36.05	14.16	64.50	37.15	14.27	30.00	62.90	57.51	33.51	8	55.26	31.26	57.00	33.00	P6036CS
	1,525mm	915mm	360mm	1,638mm	944mm	362mm	762mm	1,598mm	1,461mm	851mm		1,404mm	794mm	1,448mm	838mm	

All dimensions are in inches unless otherwise noted

Data subject to change without notice



Empire Series

WALL MOUNT ENCLOSURES

Cover Type

Solid/Opaque / Viewing Window

Closure Type

Twist Latch Hinged Cover
3-Point Latch Hinged Cover



Application

Designed to insulate and house electrical and electronic controls, instruments or components for indoor and outdoor applications

- Especially well suited for high temperature or corrosive environments
- Protects from dirt, dust, oil, and water
- Window unit provides viewing area for instrumentation or equipment

Standards

- UL 50 and UL 50E Types 1, 2, 3, 3R, 4, 4X, 12 and 13
- CSA C22.2 No. 94 Types 1, 2, 3, 3R, 4, 4X, 12 and 13
- Complies with:
 - NEMA Types 1, 2, 3, 3R, 4, 4X, 12 and 13
 - IEC 60529 Type IP66
 - RoHS directive



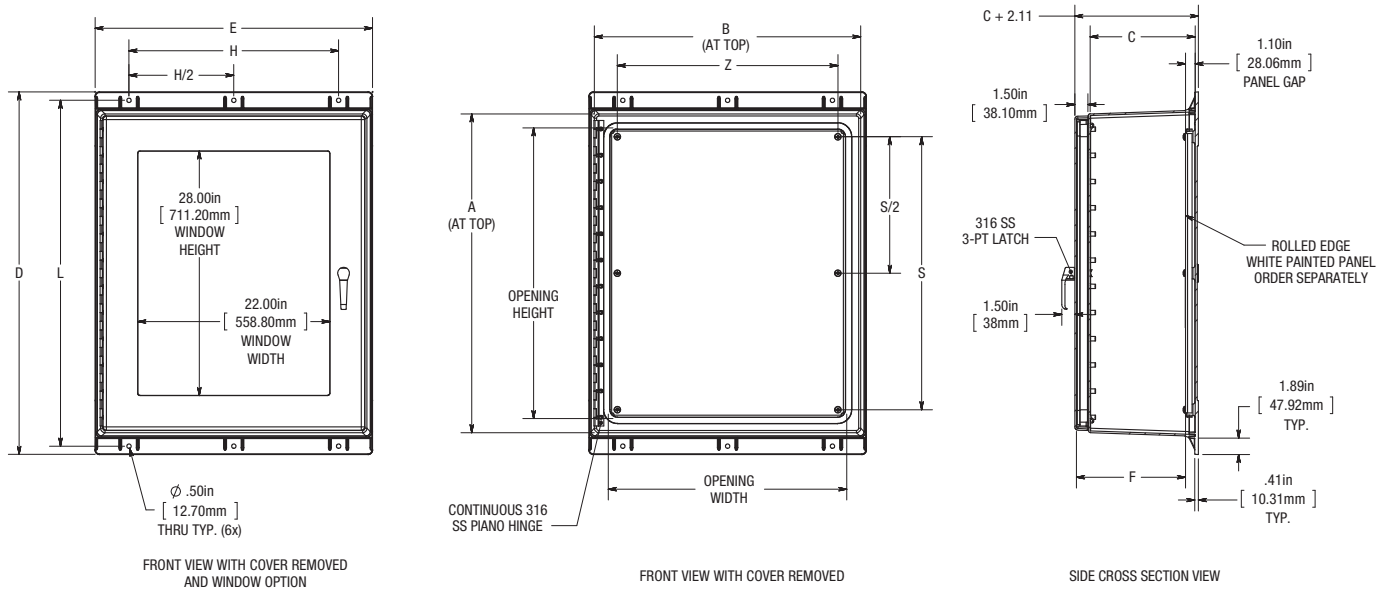
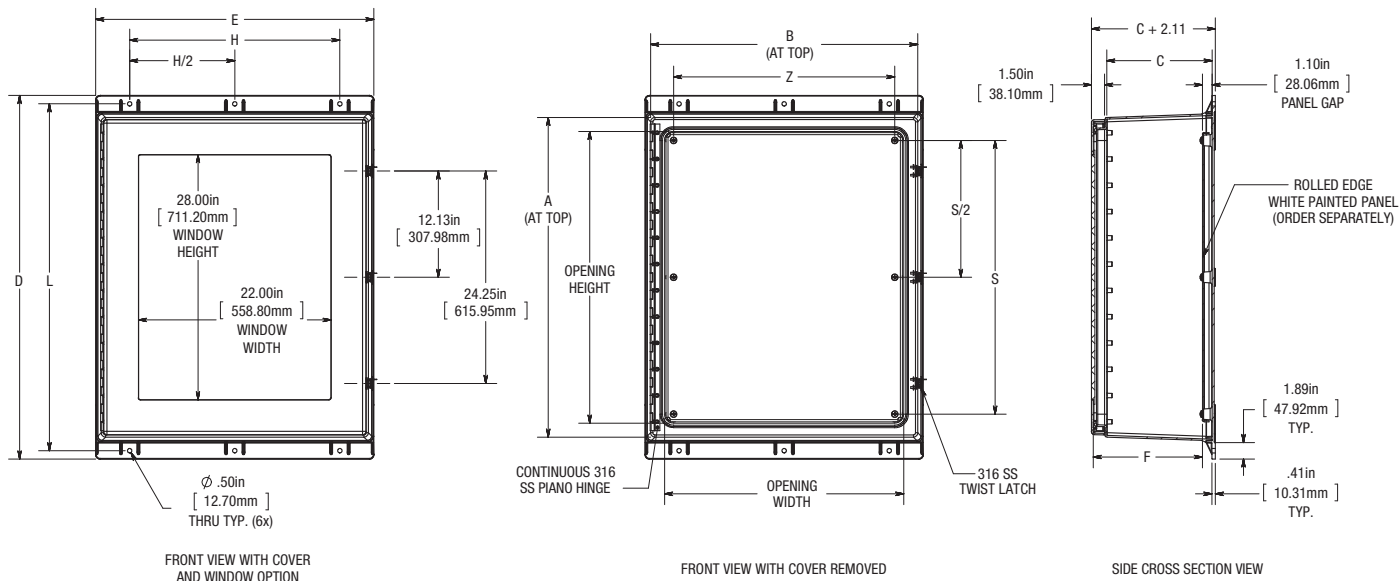
Scan to learn more

Construction

- Compression-molded cover and two piece box from ULTRAGUARD® material in standard light gray RAL 7035 color
- Optional 316 stainless steel twist latches (T) or 316 stainless steel 3-point latching handle (3PT)
- Formed-In-Place (FIP) polyurethane gasket system provides sealing means to meet IP66/NEMA 4X rating
- Integral mounting flange is compression molded in fiberglass material
- 3/8-16 threaded brass inserts are molded in for optional back panel
- 3/8-6 x .75 combo head, carbon steel plated screws are included with each enclosure for use with the optional back panel
- Heavy-duty, continuous 316 stainless steel hinge
- Optional UV-resistant polycarbonate viewing window (W)

Accessories & Modifications

- Optional painted carbon steel back panels
- Custom size polycarbonate viewing windows
- HMI cover kits
- Inspection windows
- Optional print pocket



Solid/Opaque

Part No.	Box Size At Top			Overall Box Dimensions		Usable Depth	Flange Mount			Opening		Panel Studs			Panel Size		
	A	B	C	D	E		F	H	L	Ht.	Wid.	Studs	S	Z	Ht.	Wid.	P/N
AMEC363012T	36.50	30.50	12.03	41.50	31.76	12.48	24.00	39.60	33.30	27.30	6	31.25	25.25	33.00	27.00	P3630CS	
AMEC3630123PT	927mm	775mm	306mm	1054mm	807mm	317mm	610mm	1006mm	846mm	693mm		794mm	641mm	838mm	686mm		

All dimensions are in inches unless otherwise noted

Data subject to change without notice

Viewing Window

Part No.	Box Size At Top			Overall Box Dimensions		Usable Depth	Flange Mount			Opening		Panel Studs			Panel Size		
	A	B	C	D	E		F	H	L	Ht.	Wid.	Studs	S	Z	Ht.	Wid.	P/N
AMEC363012TW	36.50	30.50	12.03	41.50	31.76	12.48	24.00	39.60	33.30	27.30	6	31.25	25.25	33.00	27.00	P3630CS	
AMEC3630123PTW	927mm	775mm	306mm	1054mm	807mm	317mm	610mm	1006mm	846mm	693mm		794mm	641mm	838mm	686mm		

All dimensions are in inches unless otherwise noted
Window sizes noted above in drawings

Data subject to change without notice



Empire Series

FREE STANDING SINGLE DOOR

Cover Type

Solid/Opaque

Closure Type

3-Point Latch Hinged Cover



Application

Designed to insulate and house electrical and electronic controls, instruments or components for indoor and outdoor applications

- Especially well suited for high temperature or corrosive environments
- Protects from dirt, dust, oil, and water

Standards

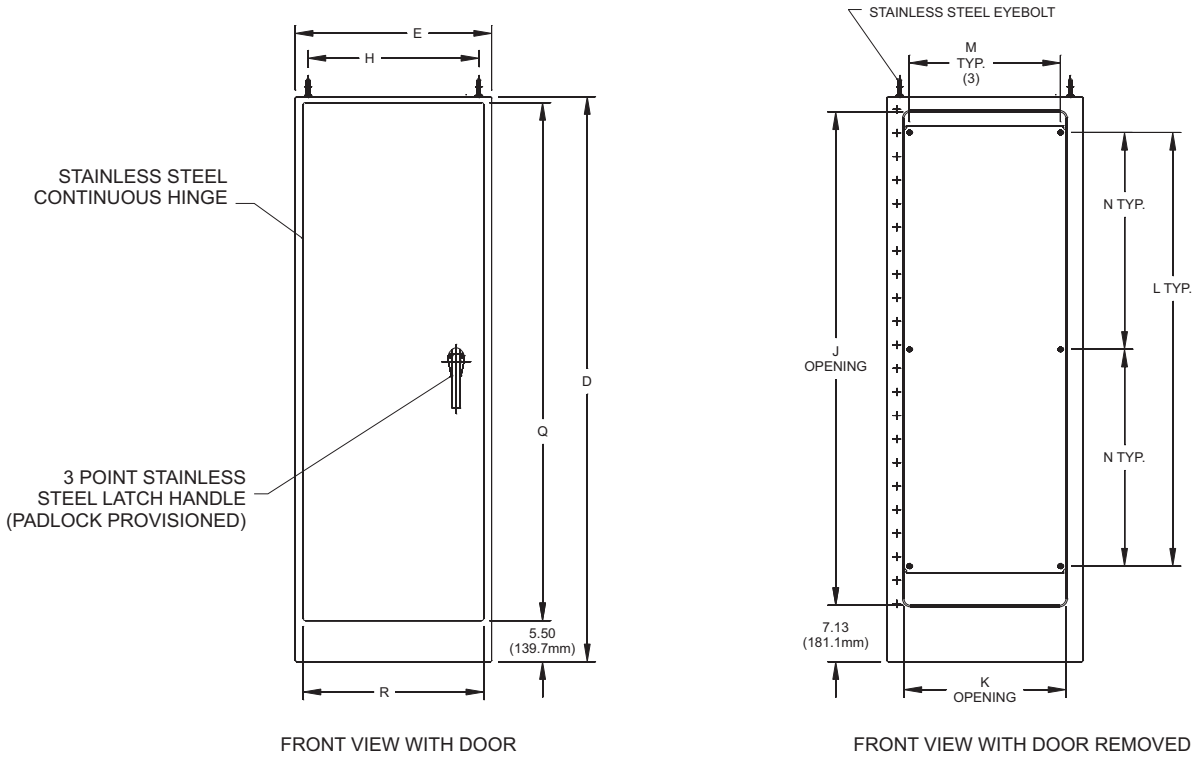
- UL 50 and UL 50E Types 1, 4, and 4X
- CSA C22.2 No. 94 Types 1, 4, and 4X
- Complies with:
 - NEMA Types 1, 4, and 4X
 - IEC 60529 Type IP66
 - RoHS directive

Construction

- Durable, corrosion resistant gel-coat fiberglass material construction
- Resin Transfer Molded (RTM) doors and box construction
- Soft, self-gripping EPDM gasket, compresses over flange for tight seal
- One 316 stainless steel 3-point latching handle with padlock provision
- Heavy-duty continuous 316 stainless steel hinge
- Fiberglass material has UV inhibitors which provide idea protection from outdoor weathering
- Heavy duty lifting eye bolts

Accessories & Modifications

- Optional painted carbon steel back panels
- Custom size polycarbonate viewing windows
- HMI cover kits
- Inspection windows
- Optional print pocket



Optional Carbon Steel Back Panel		
Part No.	Height	Width
P7225CS	57.00	21.00
	1448mm	533mm

Part No.	D	E	F	H	J	K	L	M	N	P	Q	R	# Panel Mount Studs
AM722525FS	72.00	25.00	24.50	21.75	62.88	20.63	55.25	19.25	27.63	12.25	66.00	23.00	6
	1829mm	635mm	622mm	552mm	1597mm	524mm	1403mm	489mm	702mm	311mm	1676mm	584mm	

All dimensions are in inches unless otherwise noted

Data subject to change without notice



Empire Series

FREE STANDING DOUBLE DOOR

Cover Type

Solid/Opaque

Closure Type

3-Point Latch Hinged Cover



Application

Designed to insulate and house electrical and electronic controls, instruments or components for indoor and outdoor applications

- Especially well suited for high temperature or corrosive environments
- Protects from dirt, dust, oil, and water

Standards

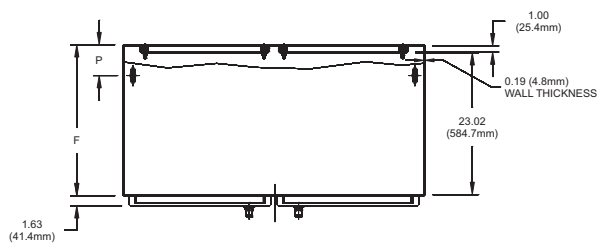
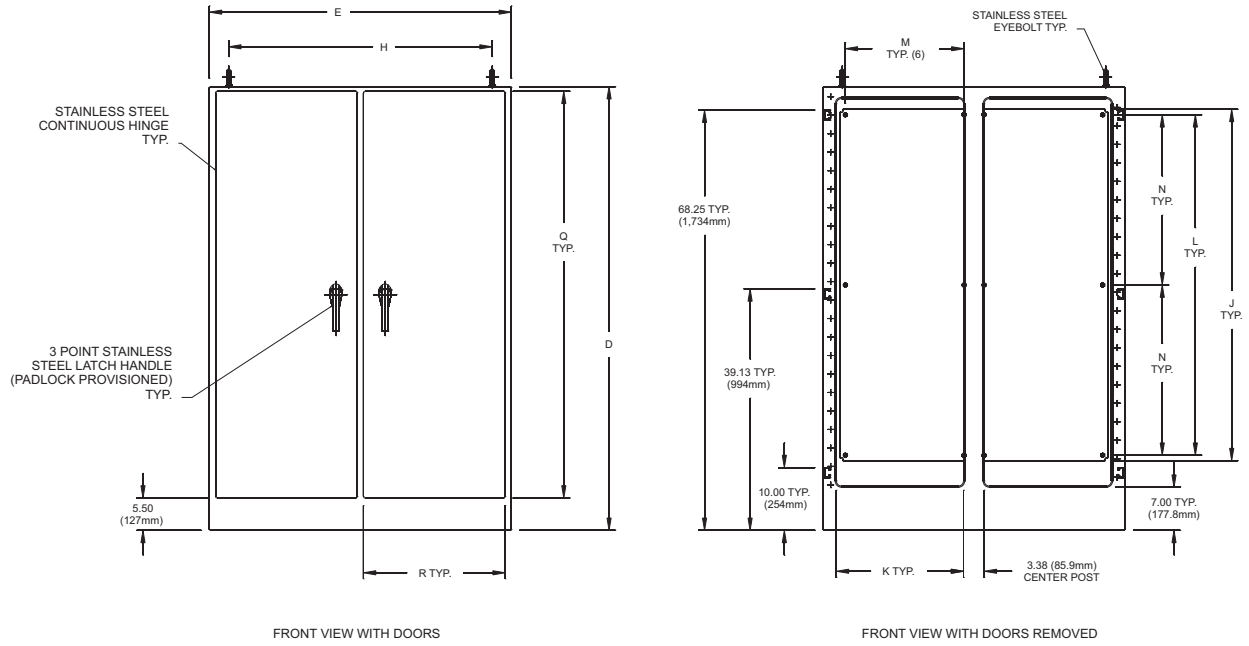
- UL 50 and UL 50E Types 1, 4, and 4X
- CSA C22.2 No. 94 Types 1, 4, and 4X
- Complies with:
 - NEMA Types 1, 4, and 4X
 - IEC 60529 Type IP66
 - RoHS directive

Construction

- Durable, corrosion resistant gel-coat fiberglass material construction
- Resin Transfer Molded (RTM) doors and hand-layup box construction
- Soft, self-gripping EPDM gasket, compresses over flange for tight seal
- Two 316 stainless steel 3-point latching handles with padlock provision
- Heavy-duty continuous 316 stainless steel hinge
- Fiberglass material has UV inhibitors which provide idea protection from outdoor weathering
- Heavy duty lifting eye bolts

Accessories & Modifications

- Optional painted carbon steel back panels
- Custom size polycarbonate viewing windows
- HMI cover kits
- Inspection windows
- Optional print pocket



Optional Carbon Steel Back Panel		
Part No.	Height	Width
*P7249CS	57.00	21.00
	1448mm	533mm

*Note: Consists of two separate panels

Part No.	D	E	F	H	J	K	L	M	N	P	Q	R	# Panel Mount Studs
AM724925FSDD	72.00	49.00	24.50	45.25	62.88	20.63	55.25	19.25	27.63	5.00	66.00	23.00	12
	1829mm	1245mm	622mm	1149mm	1597mm	524mm	1403mm	489mm	702mm	127mm	1676mm	584mm	

All dimensions are in inches unless otherwise noted

Data subject to change without notice

