

# Empire Series

## Fiberglass Reinforced Polyester Compression Molded Enclosures

Base P/N AMEC363012

The Empire AMEC Series offers standard features as well as full-panel access and all usable panel space. In addition, the standard gray cover is available with optional custom modifications and accessories. These options include back panels, vent kits, print pockets and ULTRAPLUG® hole plugs.

AMEC enclosures insulate and protect controls and components against the toughest elements in the harshest environments. It is available in the popular 36" x 30" size (with 12" depth) with 316 stainless steel hinges and latching hardware.



Options include  
twist latches,  
3-point  
latching handle,  
& viewing window

### APPLICATION

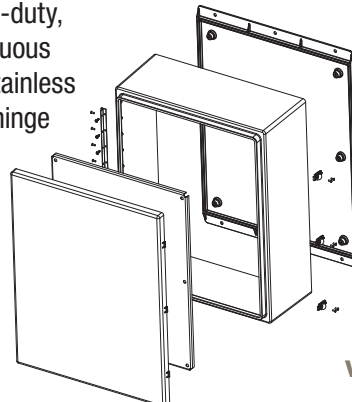
- Designed to insulate and house electrical and electronic controls, instruments or components for indoor and outdoor applications
- Especially well suited for high temperature and corrosive environments
- Protects from dirt, dust, oil and water

### STANDARDS

- UL 50 and UL 50E Types 1, 2, 3, 3R, 4, 4X, 12 and 13
- CSA C22.2 No. 94 Types 1, 2, 3, 3R, 4, 4X, 12 and 13
- Complies with
  - NEMA Types 1, 2, 3, 3R, 4, 4X, 12 and 13
  - IEC 60529 Type IP66
  - RoHS directive

### CONSTRUCTION

- Compression molded cover and two piece box from ULTRAGUARD® material in standard light gray RAL 7035 color
- 316 Stainless Steel latching with padlock provision (three twist latches or 3-point latching handle)
- Formed-In-Place (FIP) polyurethane gasket system provides sealing means to meet IP66/NEMA 4X rating
- Integral mounting flange is compression molded in fiberglass material
- 3/8-16 threaded brass inserts are molded in for optional back panel
- 3/8-6 x .75 combo head, carbon steel-plated screws are included with each enclosure for use with the optional back panel
- Heavy-duty, continuous 316 stainless steel hinge



### ACCESSORIES

- Back panel kits
  - Fixed back panel kit in white painted steel, P/N P3630CS
- Vent kits
- Print Pockets
- ULTRAPLUG® hole plugs

### MODIFICATIONS

- Custom holes and cutouts, along with polycarbonate viewing windows are available. Contact factory for additional modification options.

### CONTACT INFORMATION

Allied Moulded Products Inc.  
222 North Union Street  
Bryan, OH 43506 USA

Phone: 1-800-722-2679

Fax: 1-800-237-7269

Email: [sales@alliedmoulded.com](mailto:sales@alliedmoulded.com)



**ALLIED  
MOULDED  
PRODUCTS, Inc.**

Scan to  
learn more!



[www.alliedmoulded.com](http://www.alliedmoulded.com)

# Empire Series

The Empire AMEC Series is a feature rich, compression molded FRP enclosure that is sure to protect your components in most environmental situations. Here are just a few of those features:



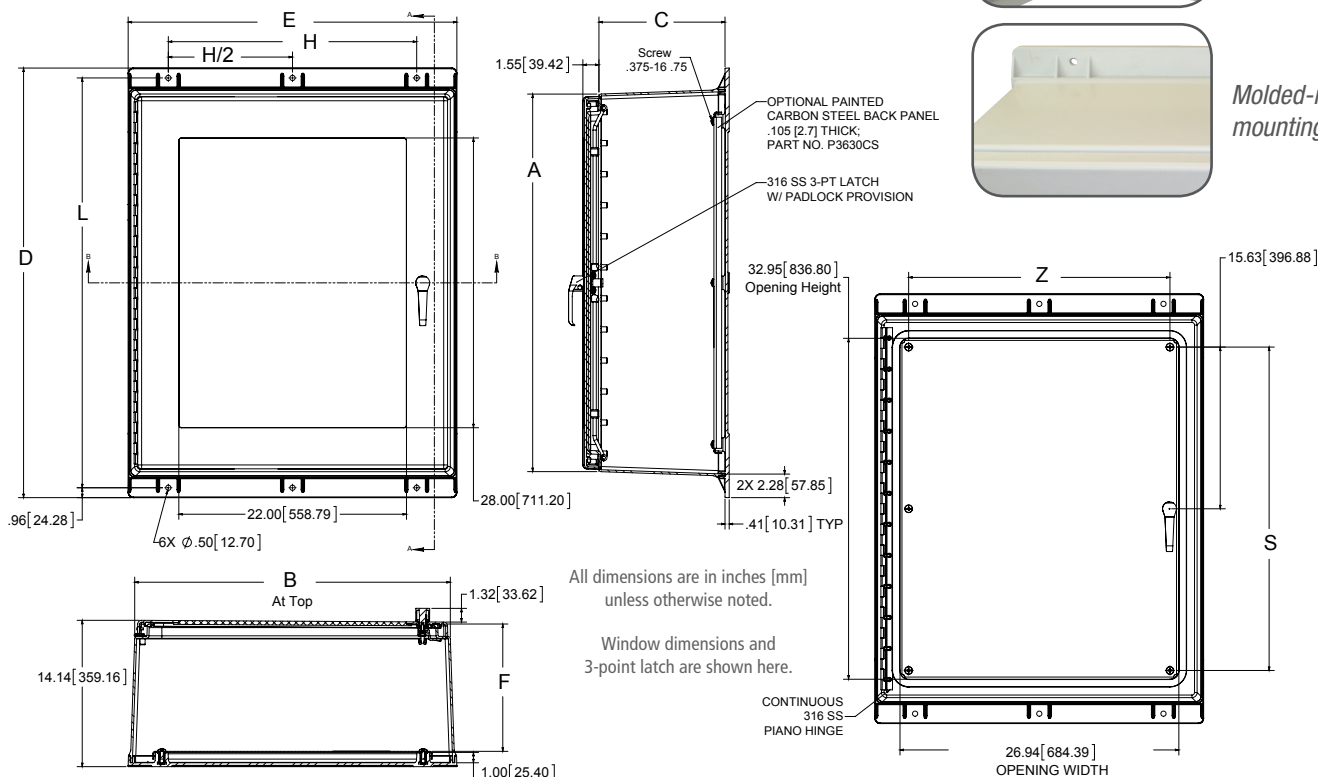
Type 316 stainless steel twist latches with padlock provision



Formed-In-Place (FIP) gasket, 316 stainless steel hinge, molded-in panel inserts



Molded-in mounting flange



Base P/N  
AMEC363012

	Box Size Inside Dimensions			Overall Box Size		Usable Depth	Flange Mount Centers		Enclosure Opening		Panel Mount Centers			Panel Size	
	A	B	C	D	E	F	H	L	Height	Width	# of Studs	S	Z	Height	Width
<b>AMEC363012</b>	36.48	30.50	12.18	41.51	31.76	12.30	24.00	39.60	33.30	27.30	6	31.25	25.25	33.00	27.00
<i>Dimensions in mm</i>	927	775	309	1054	807	313	610	1006	846	693	6	794	641	838	686

## Available Configuration Options for AMEC363012 Compression-Molded Empire Series Enclosures

<b>AMEC363012T</b>	Base unit with three twist latches and opaque cover	<b>AMEC3630123PT</b>	Base unit with three-point latching handle and opaque cover
<b>AMEC363012TW</b>	Base unit with three twist latches and viewing window in cover (window size is 28" x 22" or 711mm x 559mm)	<b>AMEC3630123PTW</b>	Base unit with three-point latching handle and viewing window in cover (window size is 28" x 22" or 711mm x 559mm)

