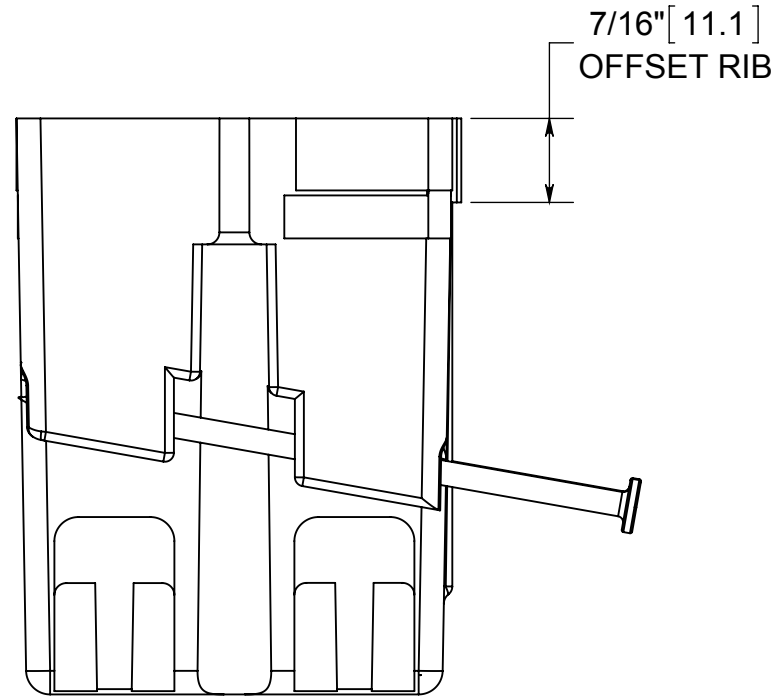
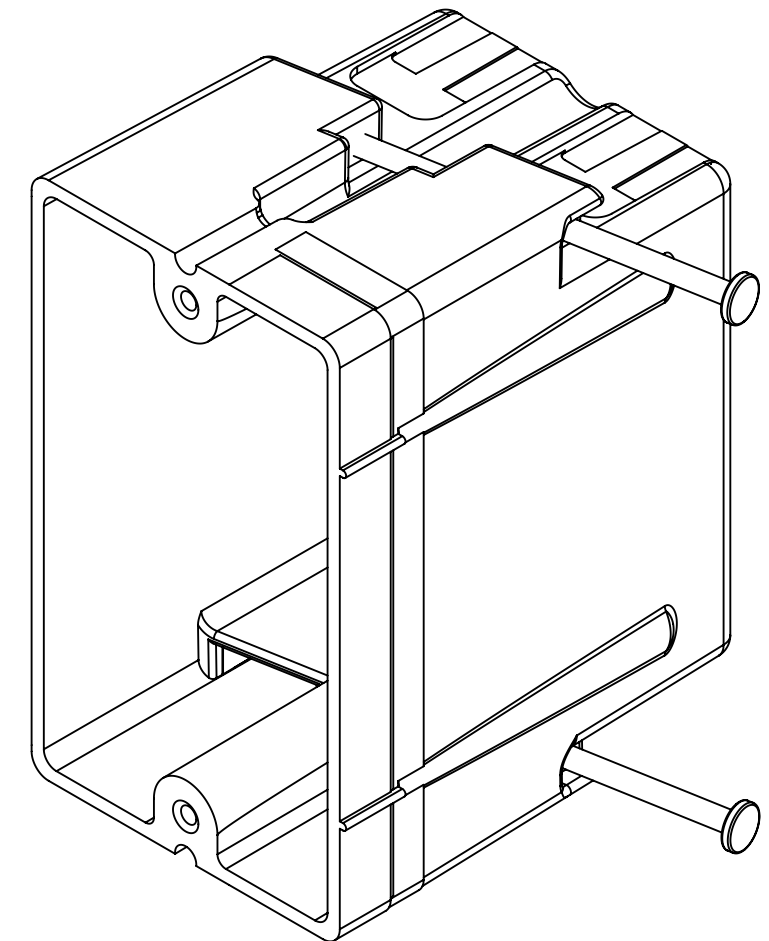
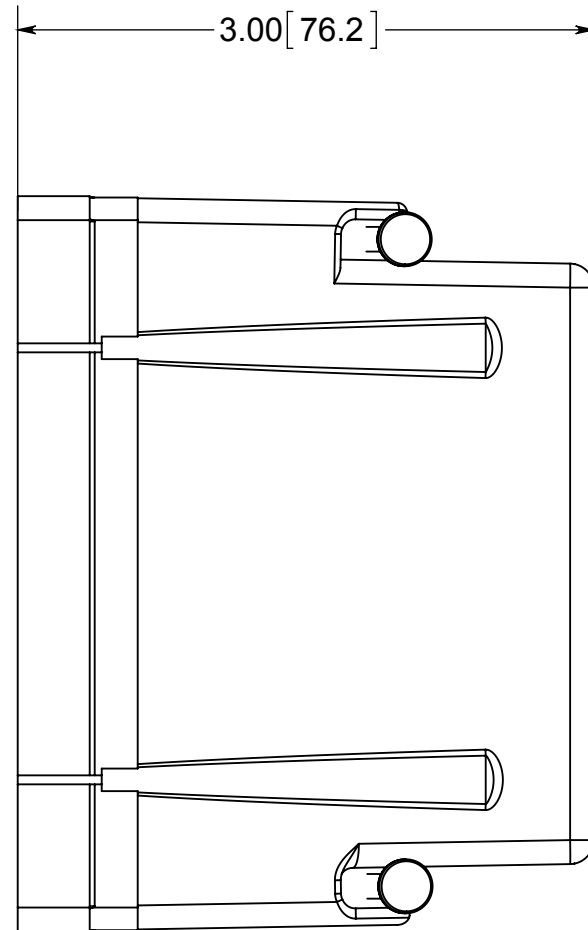
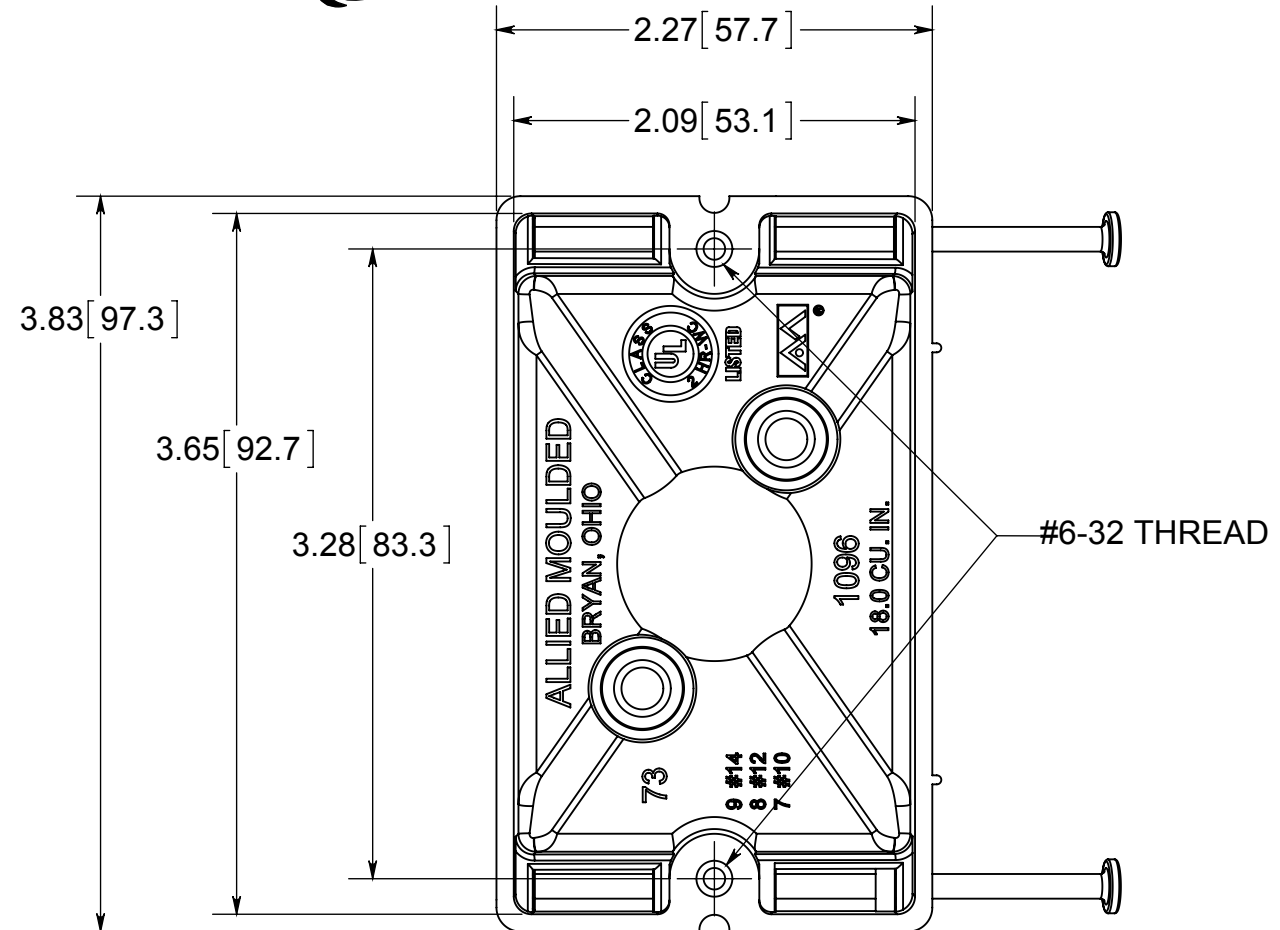


# fiberglass BOX™

ISSUE DATE: 12/15/2014



- NOTES:  
 1.) BOX MATERIAL: FIBERGLASS REINFORCED POLYESTER, NAIL MATERIAL: PLATED CARBON STEEL  
 2.) UL LISTED WITH 2 HOUR FIRE RATING FOR WALL AND CEILING  
 3.) REVERSE NAILED

 **ALLIED MOULDED PRODUCTS**  
 BRYAN, OHIO  
 The Original Fiber Glass Outlet Box

PRODUCT SERIES  
 SINGLE GANG 18.0 CU.IN.

**CONFIDENTIAL**  
 THIS MATERIAL IS OWNED BY THE ALLIED MOULDED PRODUCTS COMPANY, IS DISCLOSED IN CONFIDENCE, AND IS NOT TO BE REPRODUCED OR DISTRIBUTED WITHOUT PRIOR WRITTEN PERMISSION FROM ALLIED MOULDED PRODUCTS.

Part No.  
**1096-NR**