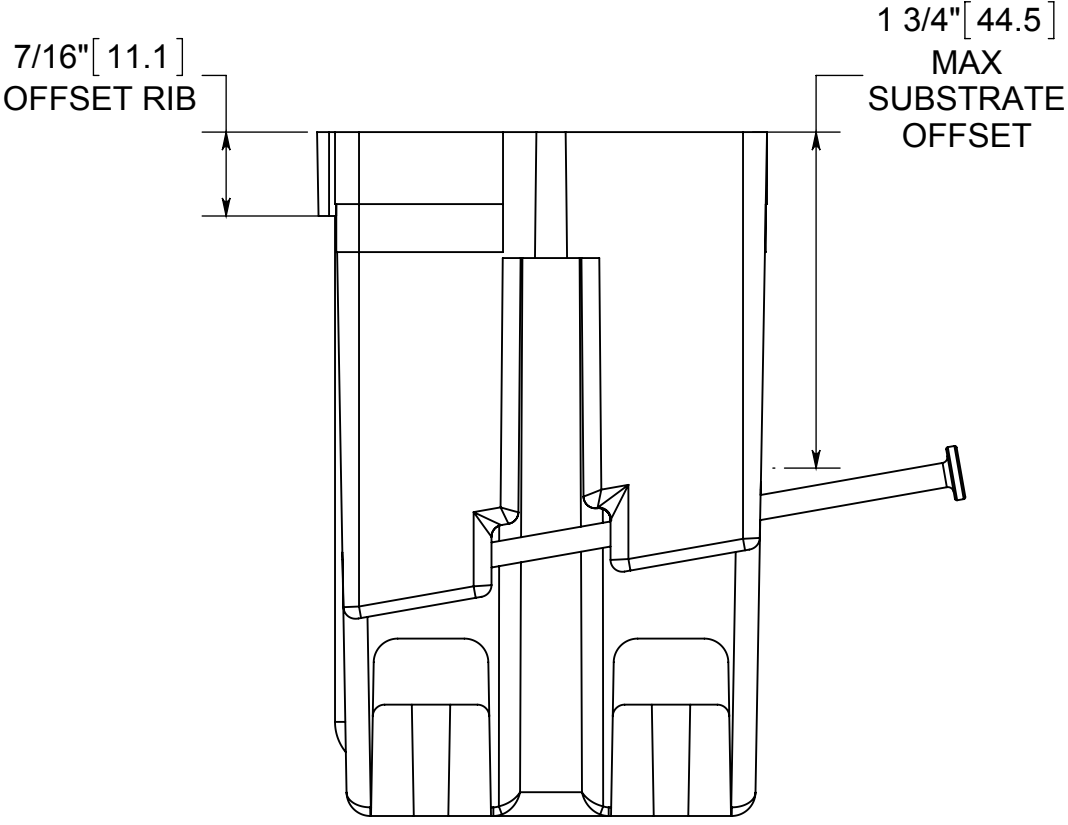
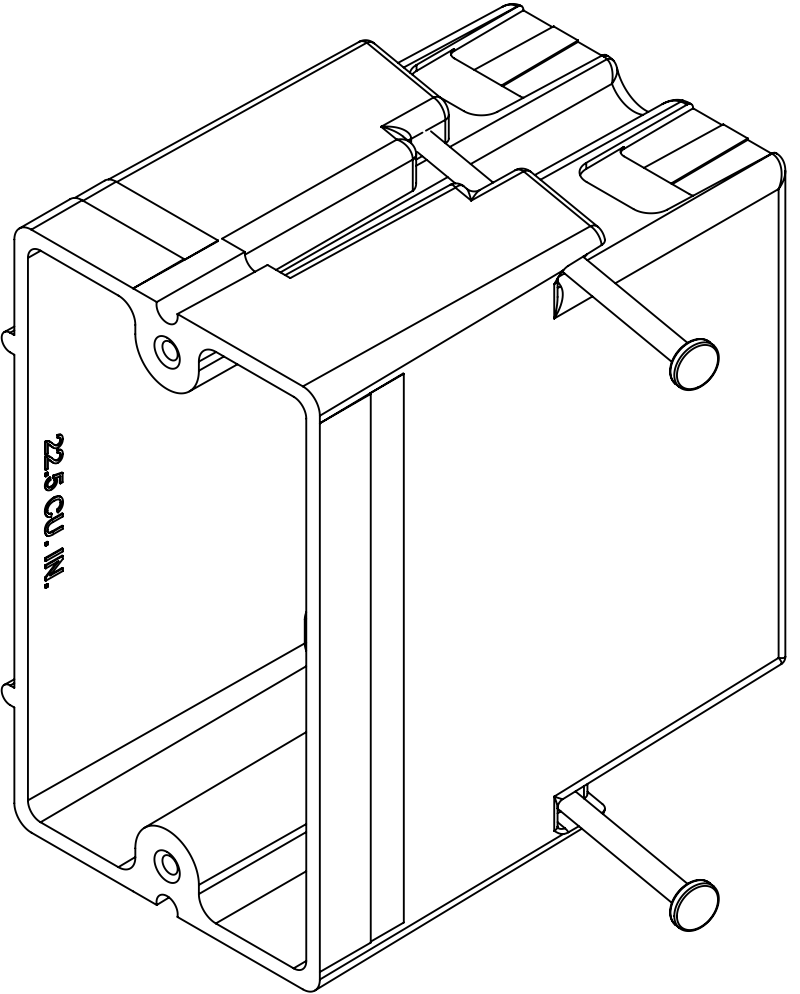
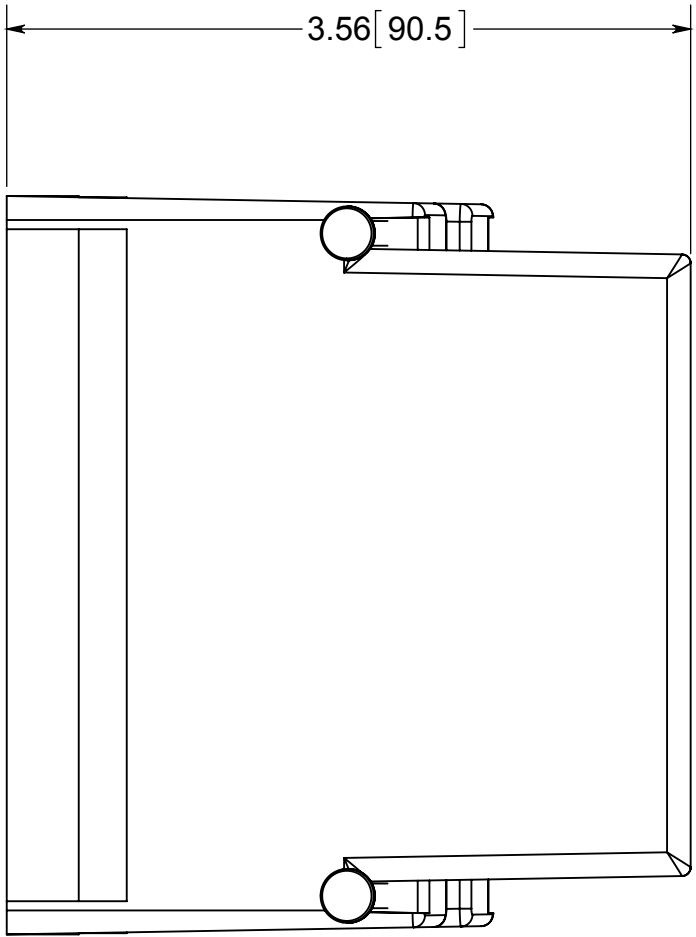
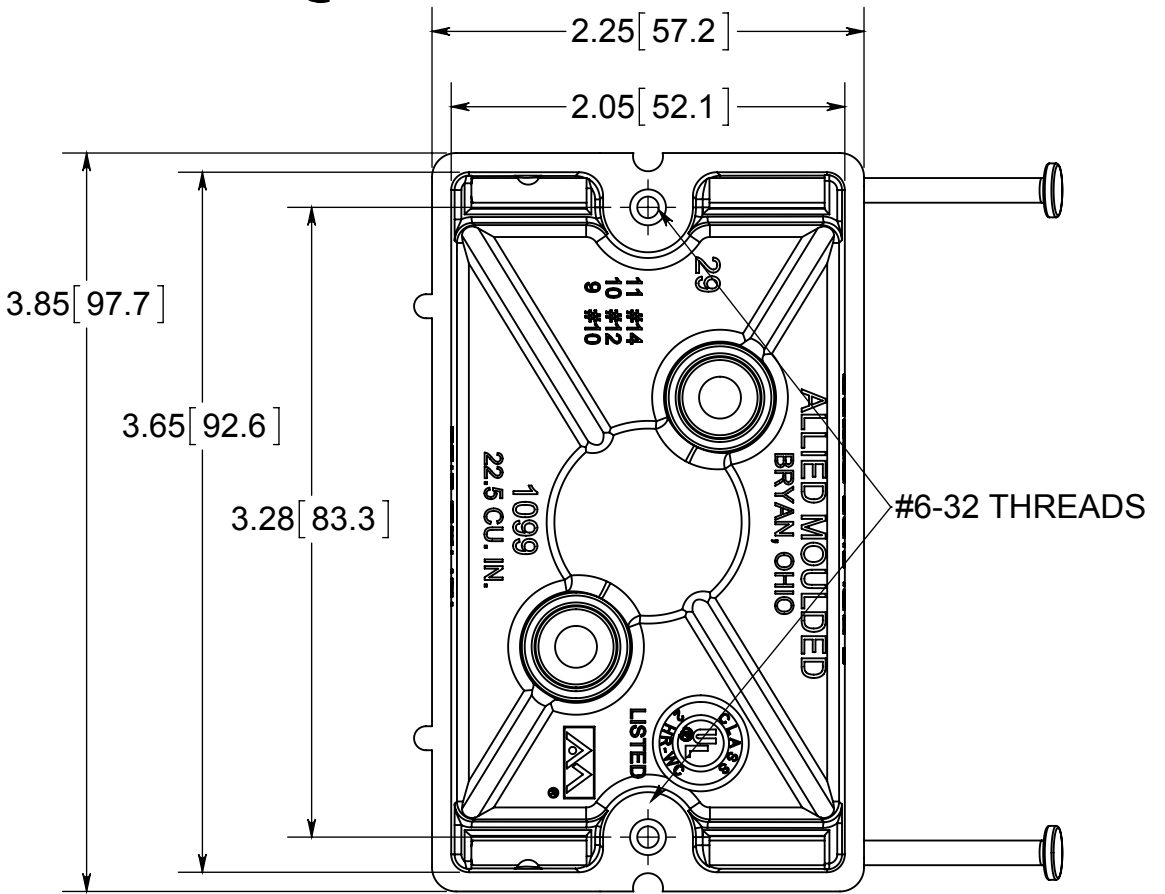


# fiberglass BOX™



- NOTES:  
 1.) BOX MATERIAL: FIBERGLASS REINFORCED POLYESTER, NAIL MATERIAL: PLATED CARBON STEEL  
 2.) UL LISTED WITH 2 HOUR FIRE RATING FOR WALL AND CEILING  
 3.) SAME AS A 1099-N BUT MOLDED RED FOR FIRE CIRCUITS

 **ALLIED MOULDED PRODUCTS**  
 BRYAN, OHIO  
 The Original Fiber Glass Outlet Box

PRODUCT SERIES  
 SINGLE GANG 22.5 CU.IN.

Part No.  
**1099-NRED**

**CONFIDENTIAL**  
 THIS MATERIAL IS OWNED BY THE ALLIED MOULDED PRODUCTS COMPANY, IS DISCLOSED IN CONFIDENCE, AND IS NOT TO BE REPRODUCED OR DISTRIBUTED WITHOUT PRIOR WRITTEN PERMISSION FROM ALLIED MOULDED PRODUCTS.