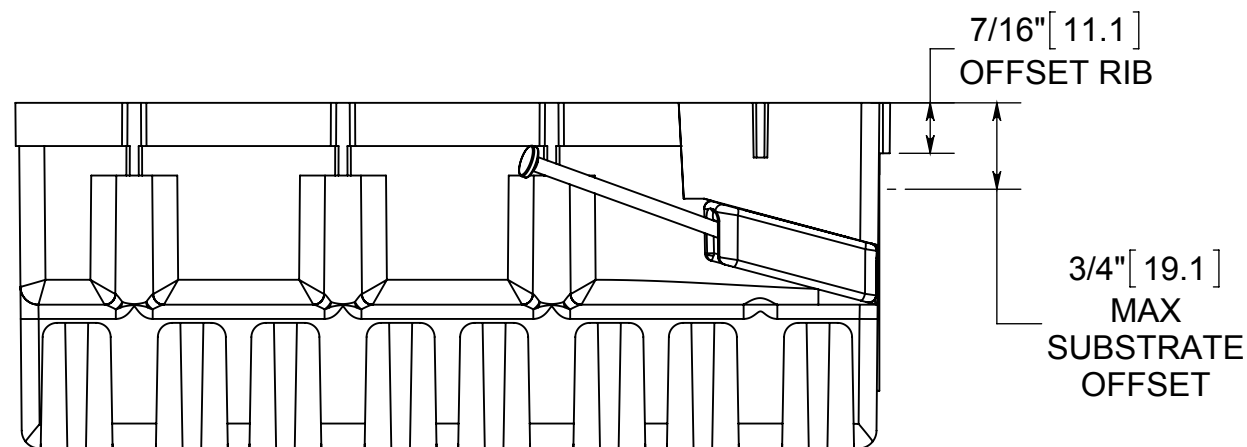
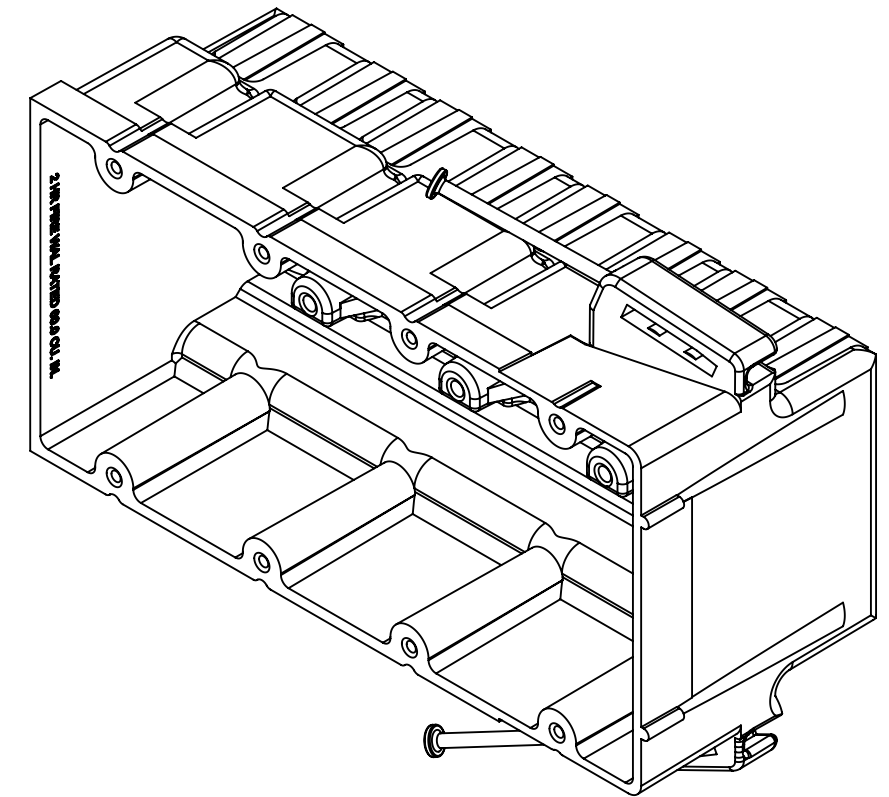
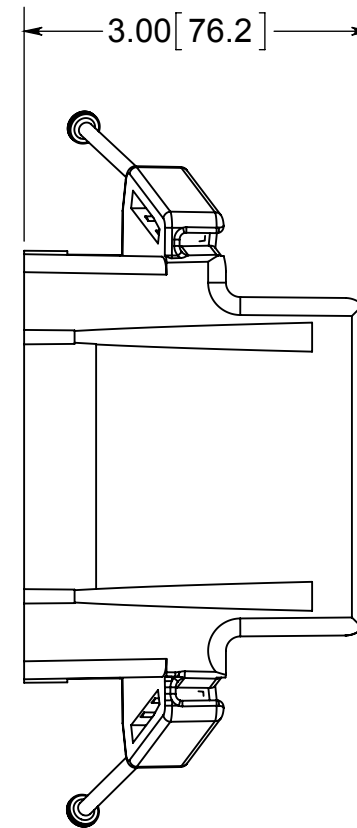
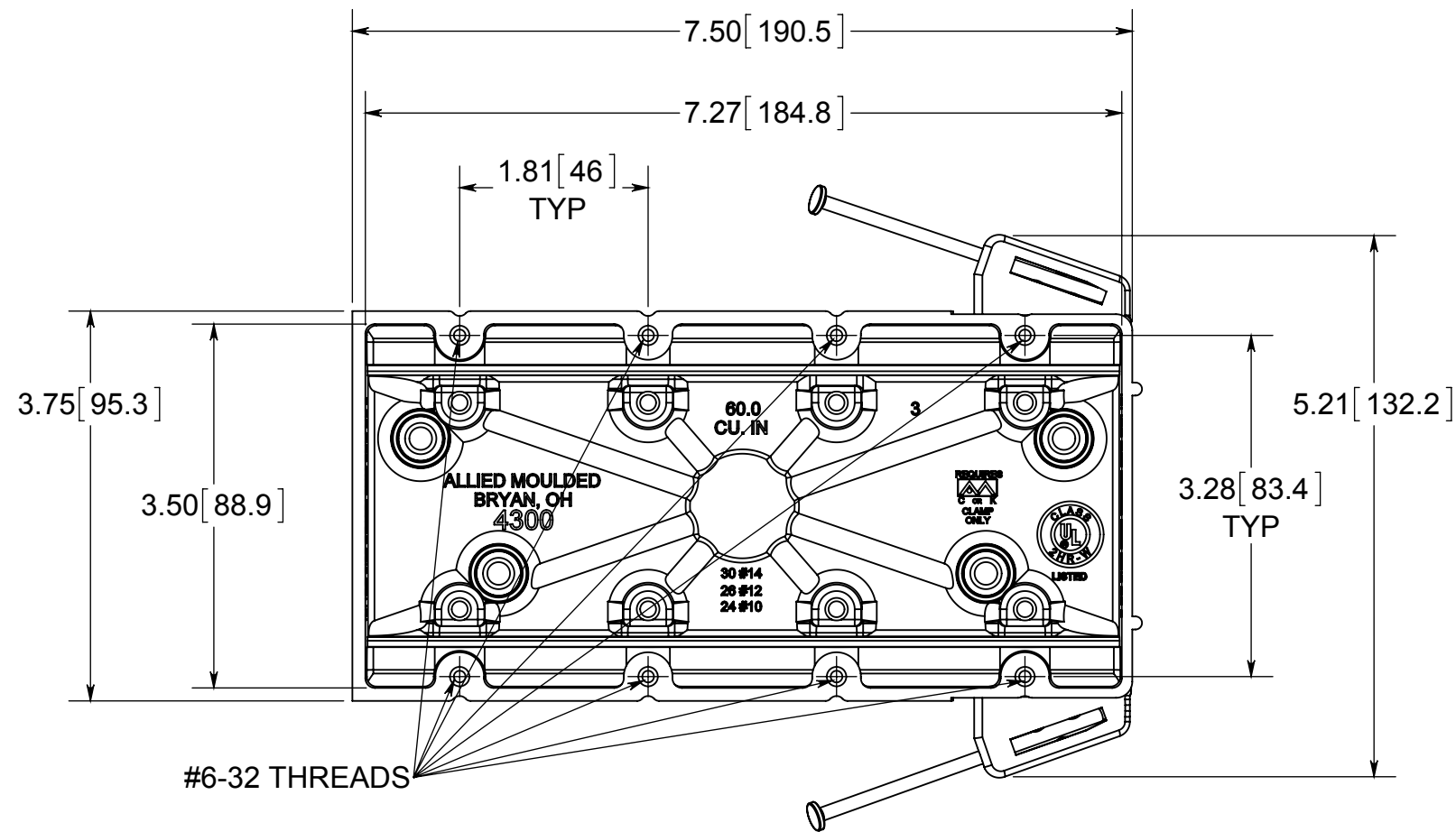


# fiberglass BOX™

ISSUE DATE: 12/17/2014



- NOTES:  
1.) BOX MATERIAL: FIBERGLASS REINFORCED POLYESTER, NAIL MATERIAL: PLATED CARBON STEEL, SPEED KLAMP MATERIAL: PVC  
2.) UL LISTED WITH 2 HOUR FIRE RATING FOR WALL  
3.) SPEED KLAMPS BULK PACKED



® **ALLIED MOULDED PRODUCTS**  
**BRYAN, OHIO**

The Original Fiber Glass Outlet Box

PRODUCT SERIES

FOUR GANG 60.0 CU.IN.

Part No.

**4300-N**

**CONFIDENTIAL**

THIS MATERIAL IS OWNED BY THE ALLIED MOULDED PRODUCTS COMPANY, IS DISCLOSED IN CONFIDENCE, AND IS NOT TO BE REPRODUCED OR DISTRIBUTED WITHOUT PRIOR WRITTEN PERMISSION FROM ALLIED MOULDED PRODUCTS.