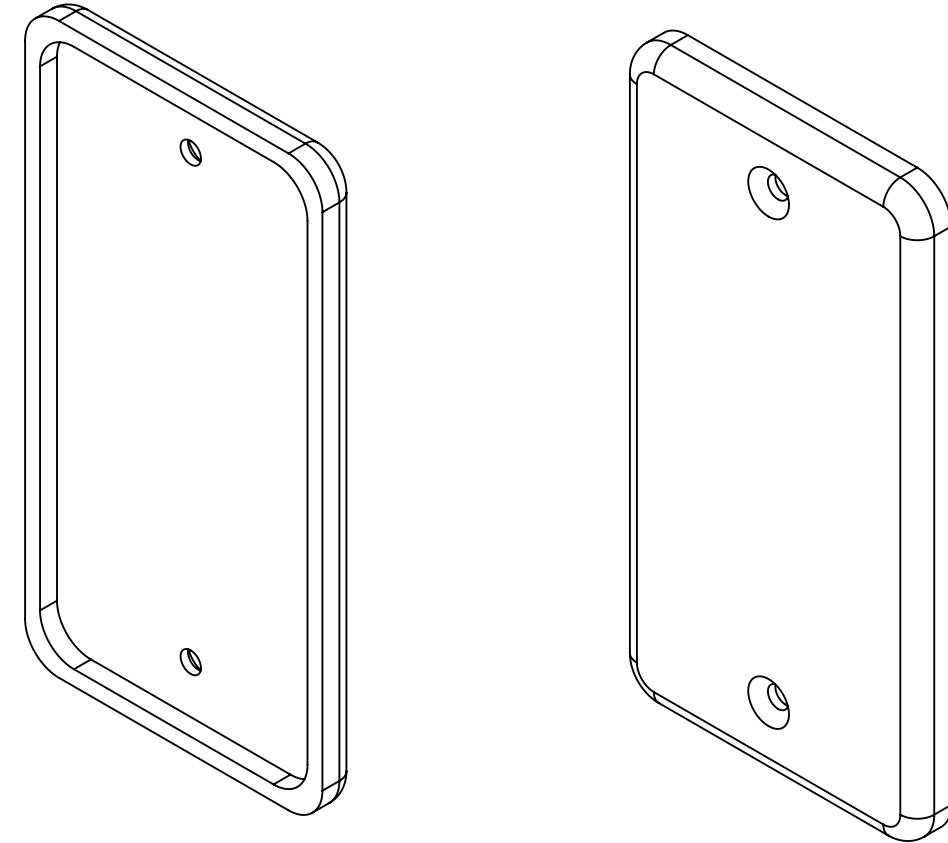
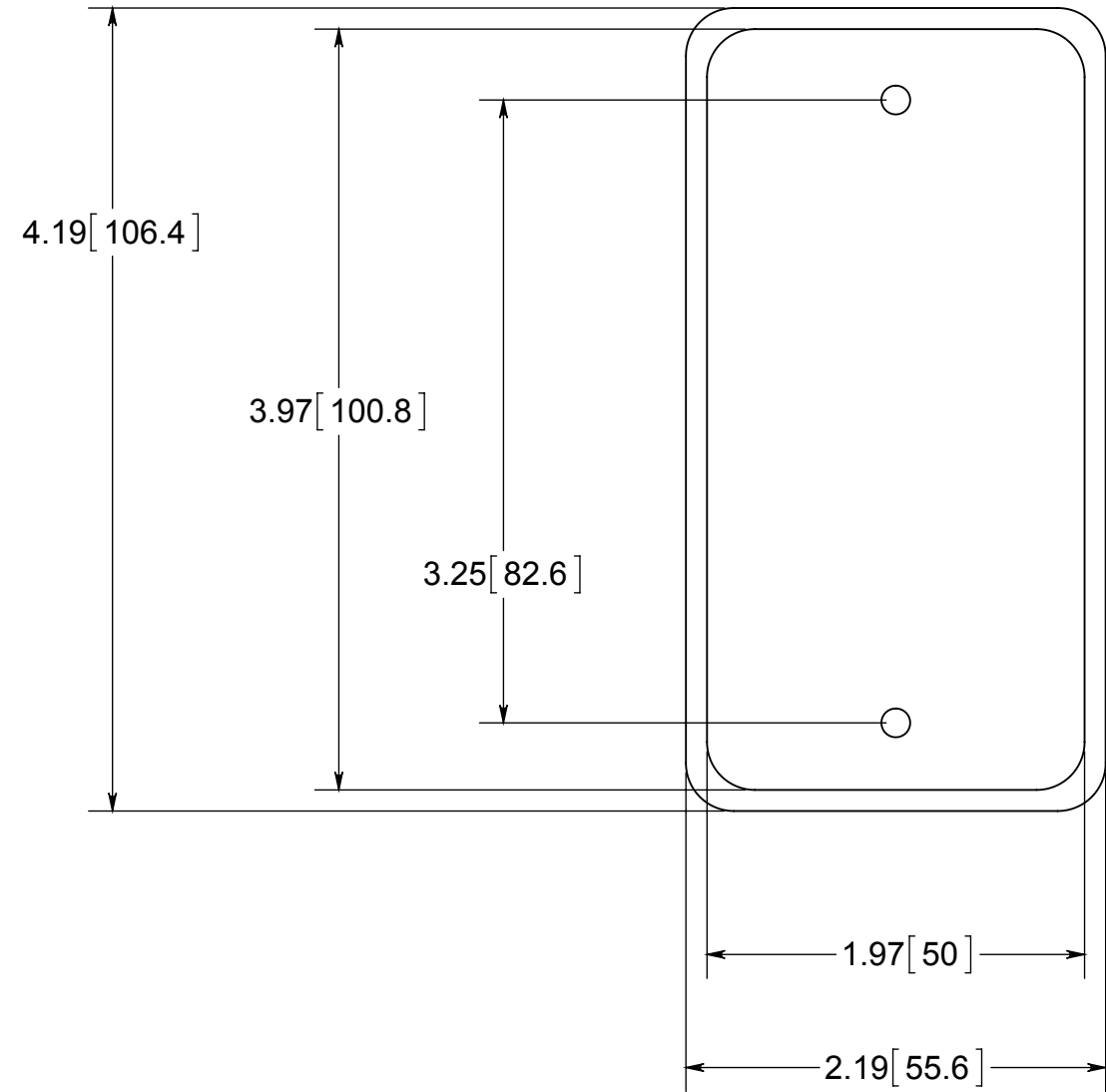
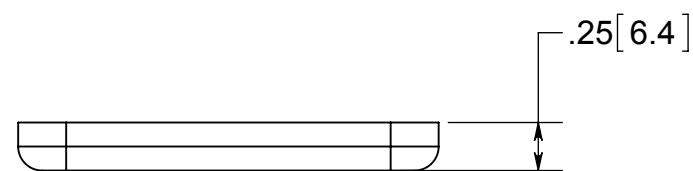


# fiberglass BOX™

ISSUE DATE: 06/17/2015



- 1.) BOX MATERIAL: FIBERGLASS REINFORCED POLYESTER
- 2.) NOT UL LISTED



® **ALLIED MOULDED PRODUCTS**  
BRYAN, OHIO

The Original Fiber Glass Outlet Box

PRODUCT SERIES

HANDY BOX BLANK COVER

Part No.

**9322**

**CONFIDENTIAL**

THIS MATERIAL IS OWNED BY THE ALLIED MOULDED PRODUCTS COMPANY, IS DISCLOSED IN CONFIDENCE, AND IS NOT TO BE REPRODUCED OR DISTRIBUTED WITHOUT PRIOR WRITTEN PERMISSION FROM ALLIED MOULDED PRODUCTS.