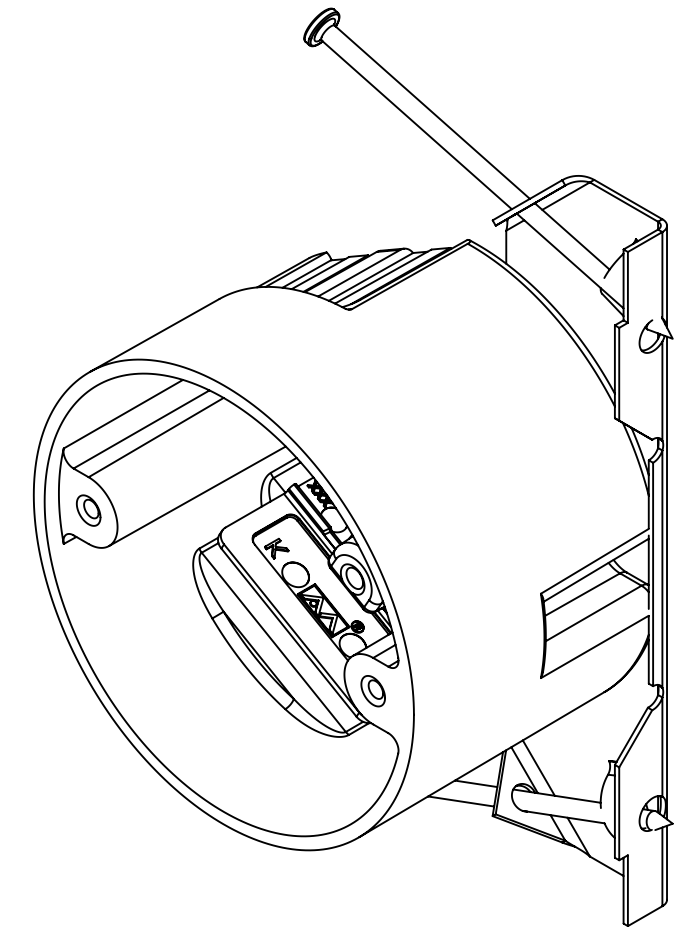
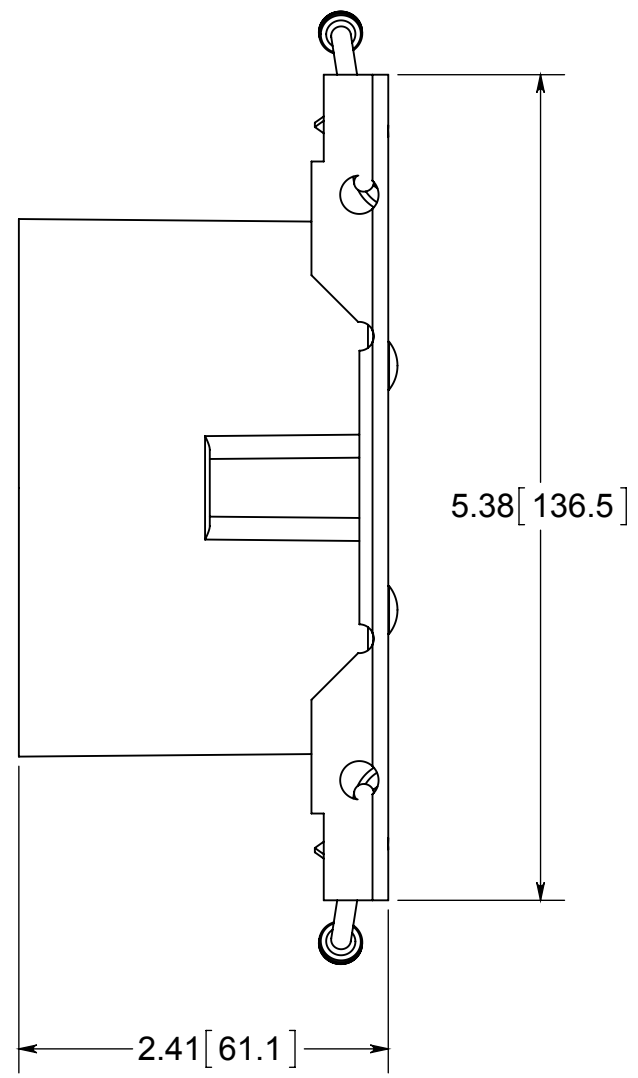
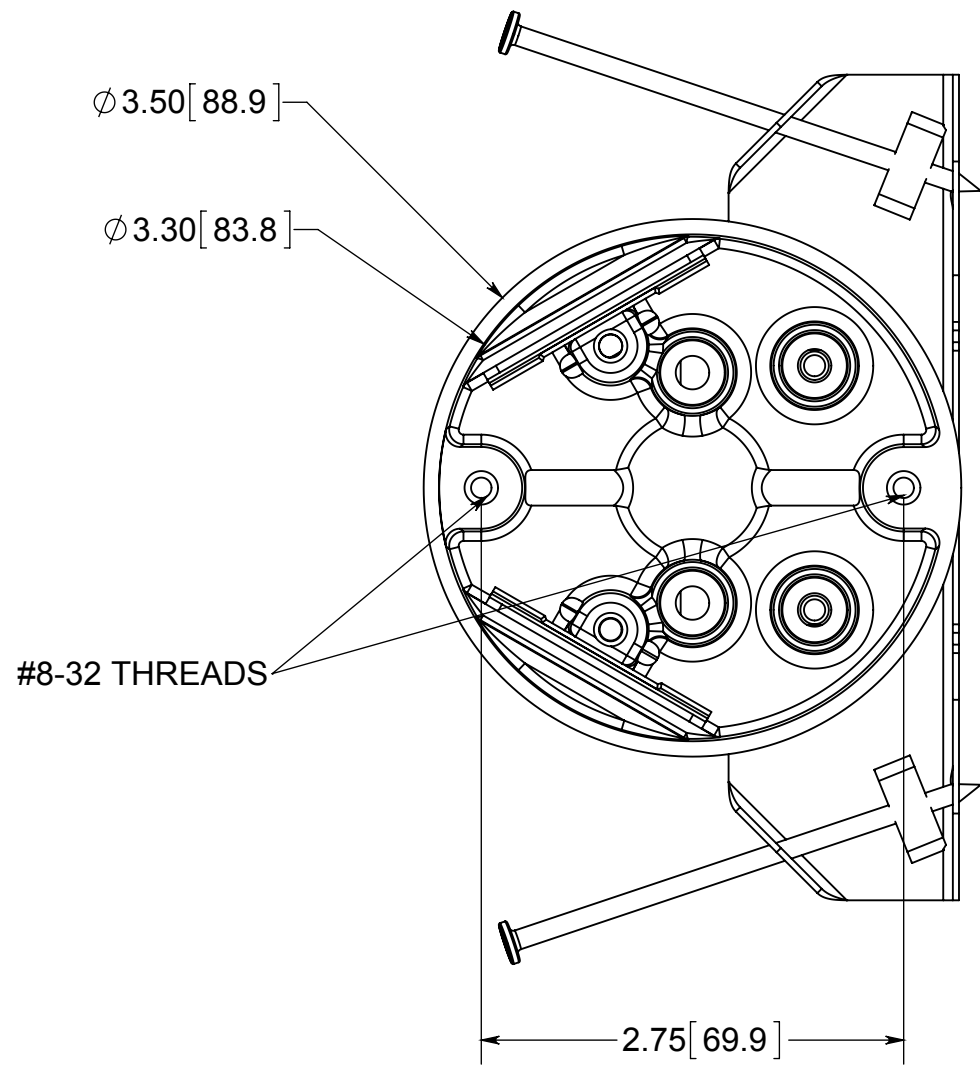
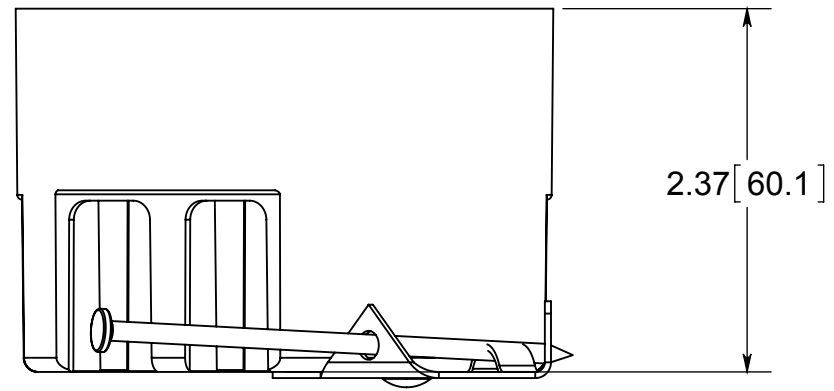


# fiberglass BOX™

ISSUE DATE: 06/29/2015



- NOTES:
- 1.) BOX MATERIAL: FIBERGLASS REINFORCED POLYESTER, NAIL MATERIAL: PLATED CARBON STEEL, MOUNTING BRACKET MATERIAL: GALVANIZED STEEL, MOUNTING BRACKET RIVET MATERIAL: ZINC PLATED STEEL, SPEED KLAMP MATERIAL: PVC
  - 2.) UL LISTED WITH 2 HOUR FIRE RATING FOR WALL AND CEILING
  - 3.) ANGLED MID-NAILED
  - 4.) 2 SPEED KLAMPS FACTORY INSTALLED



**CONFIDENTIAL**  
 THIS MATERIAL IS OWNED BY THE ALLIED MOULDED PRODUCTS COMPANY, IS DISCLOSED IN CONFIDENCE, AND IS NOT TO BE REPRODUCED OR DISTRIBUTED WITHOUT PRIOR WRITTEN PERMISSION FROM ALLIED MOULDED PRODUCTS.


**ALLIED MOULDED PRODUCTS**  
 BRYAN, OHIO  
 The Original Fiber Glass Outlet Box

PRODUCT SERIES  
**3-1/2" ROUND 16.0 CU. IN.**  
 Part No.  
**9336-HNK**