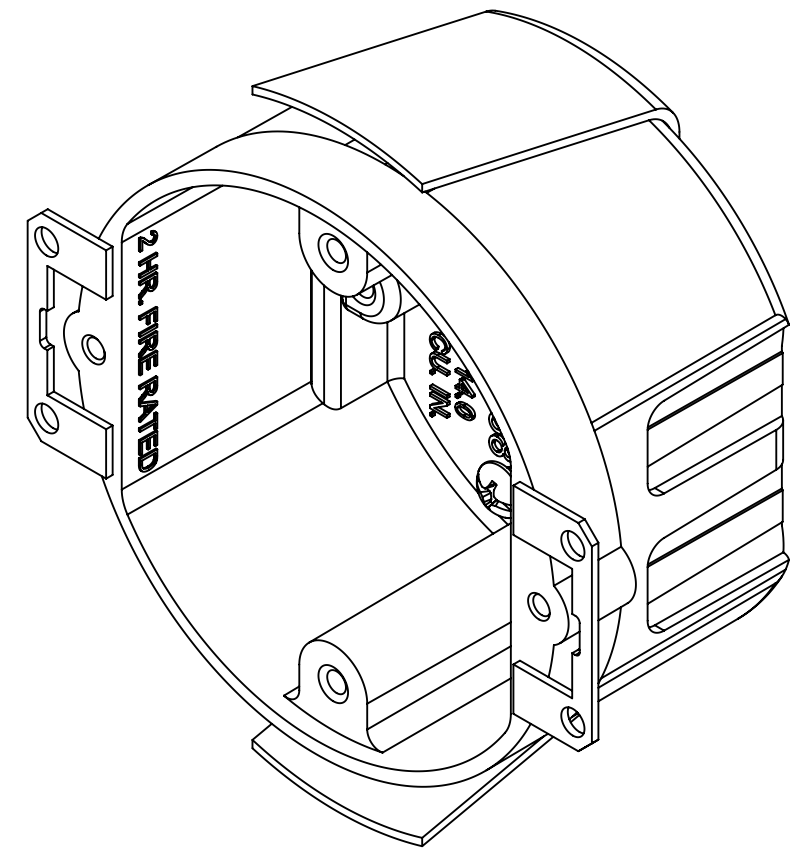
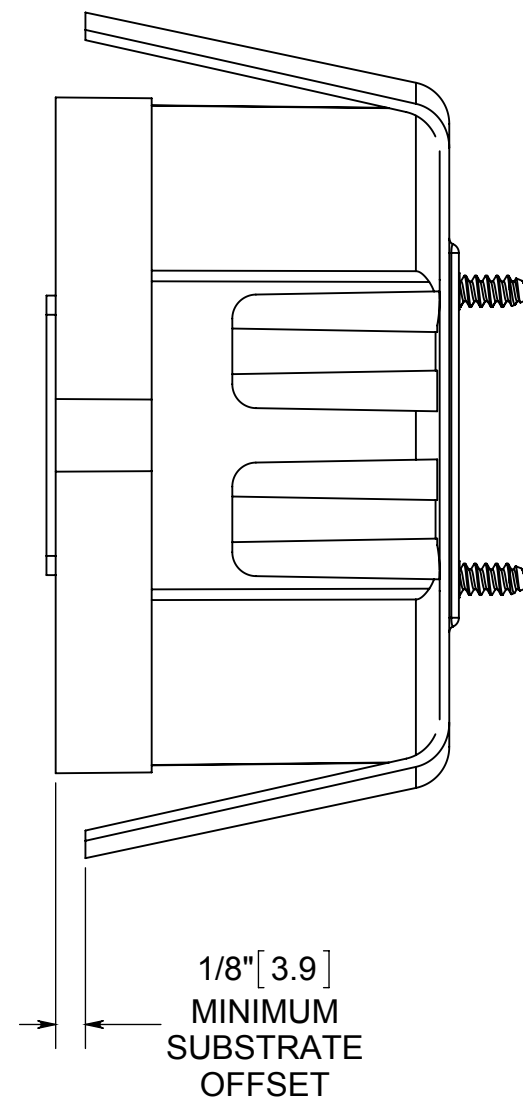
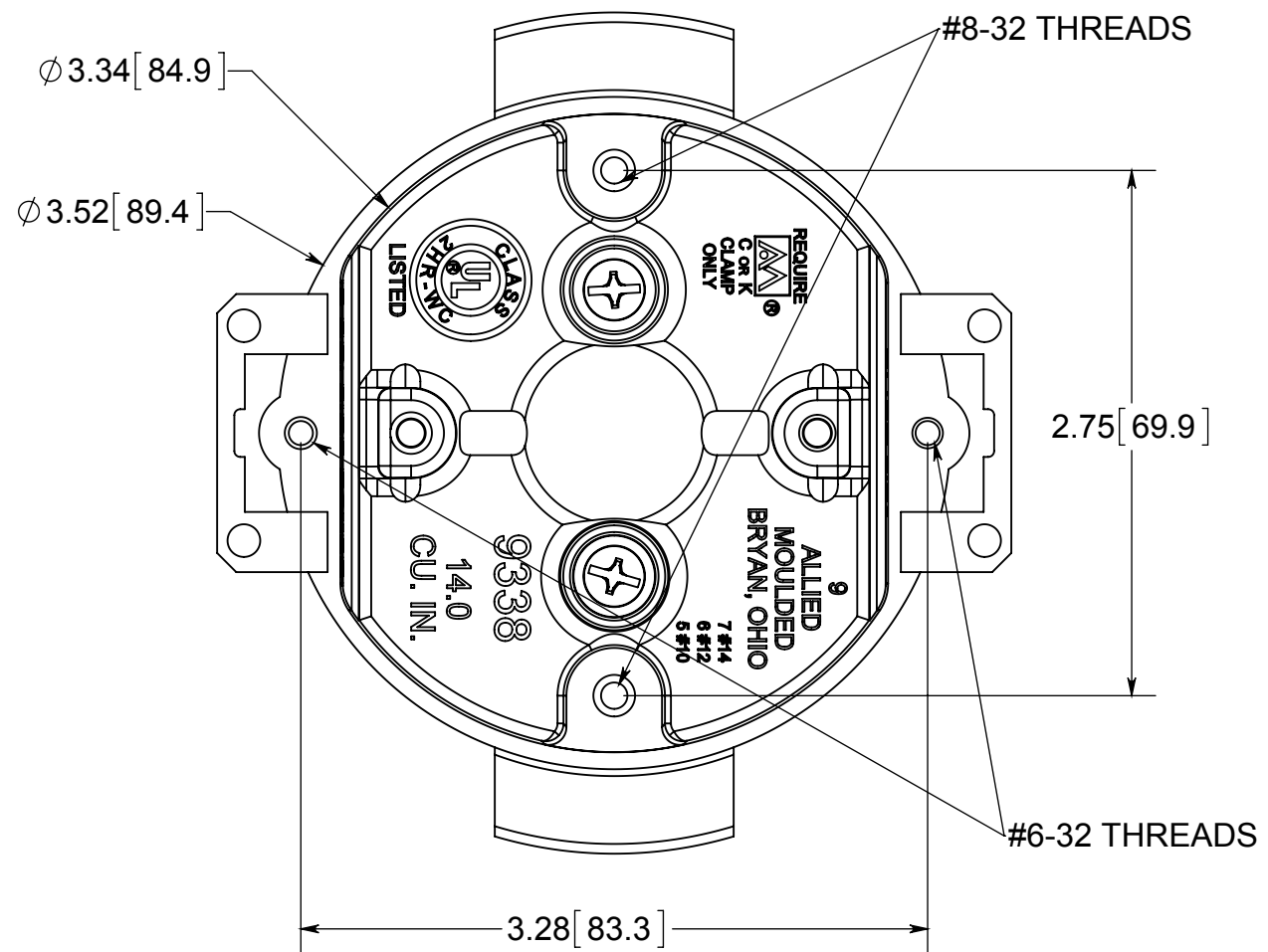
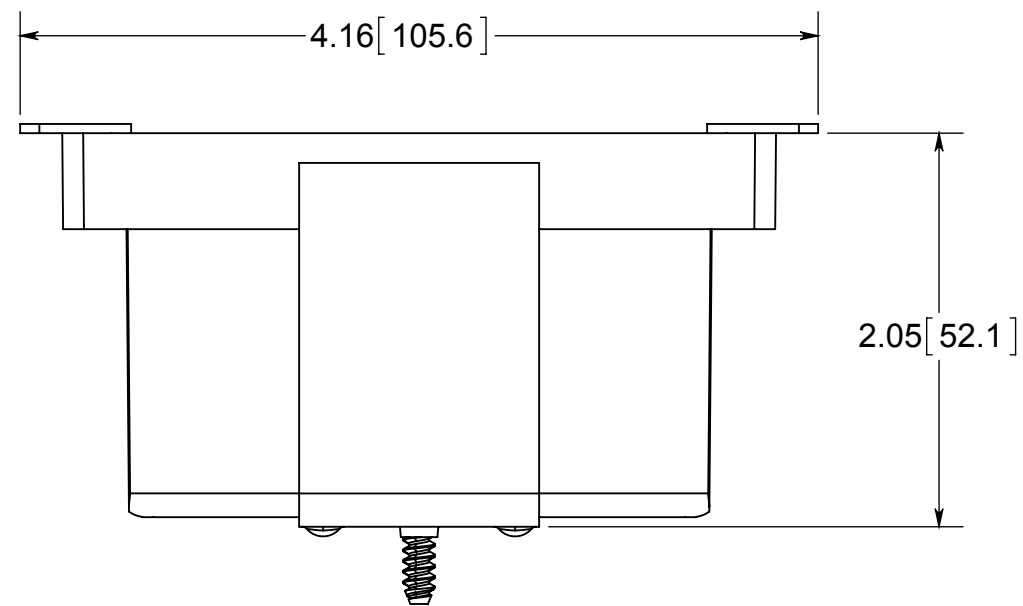


fiberglass BOX™

ISSUE DATE: 06/18/2015



- NOTES:
- 1.) BOX MATERIAL: FIBERGLASS REINFORCED POLYESTER, EAR MATERIAL: GALVANIZED STEEL, SNAP BRACKET MATERIAL: GALVANIZED STEEL, SNAP BRACKET SCREW MATERIAL: ZINC PLATED STEEL, SPEED KLAMP MATERIAL: PVC
 - 2.) UL LISTED WITH 2 HOUR FIRE RATING FOR WALL AND CEILING
 - 3.) 2 SPEED KLAMPS BULK PACKED



 **ALLIED MOULDED PRODUCTS**
BRYAN, OHIO
The Original Fiber Glass Outlet Box

PRODUCT SERIES
3-1/2" OLD WORK ROUND 14.0 CU. IN.

Part No.
9338-ES

CONFIDENTIAL
THIS MATERIAL IS OWNED BY THE ALLIED MOULDED PRODUCTS COMPANY, IS DISCLOSED IN CONFIDENCE, AND IS NOT TO BE REPRODUCED OR DISTRIBUTED WITHOUT PRIOR WRITTEN PERMISSION FROM ALLIED MOULDED PRODUCTS.