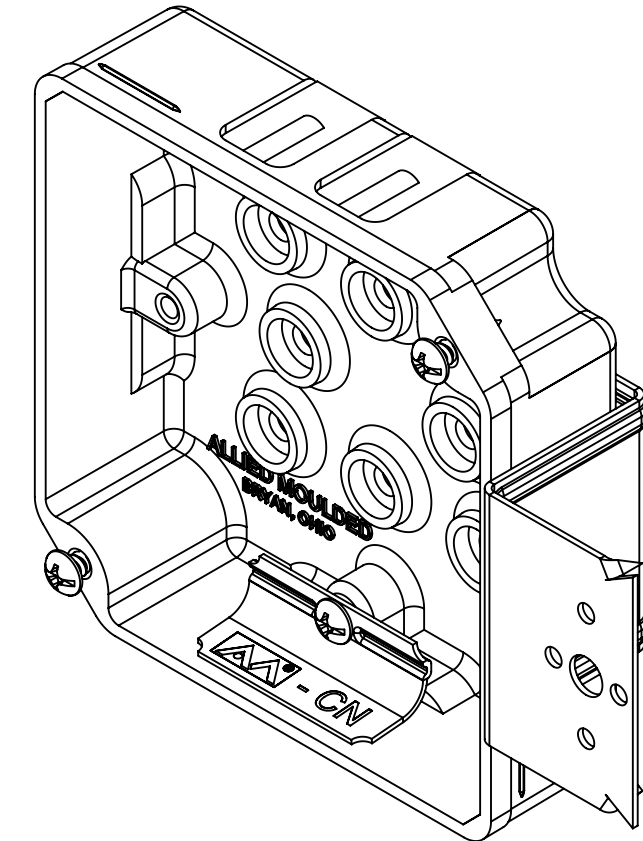
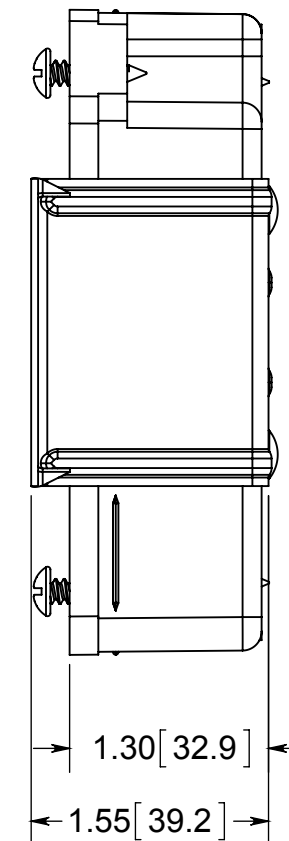
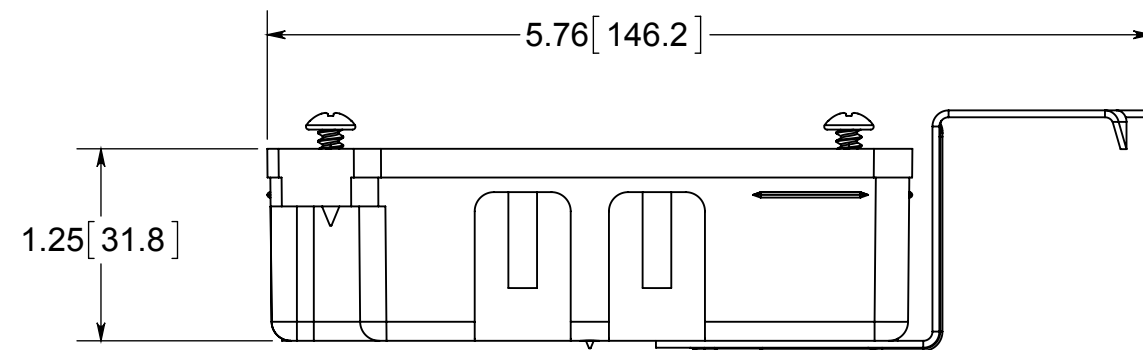
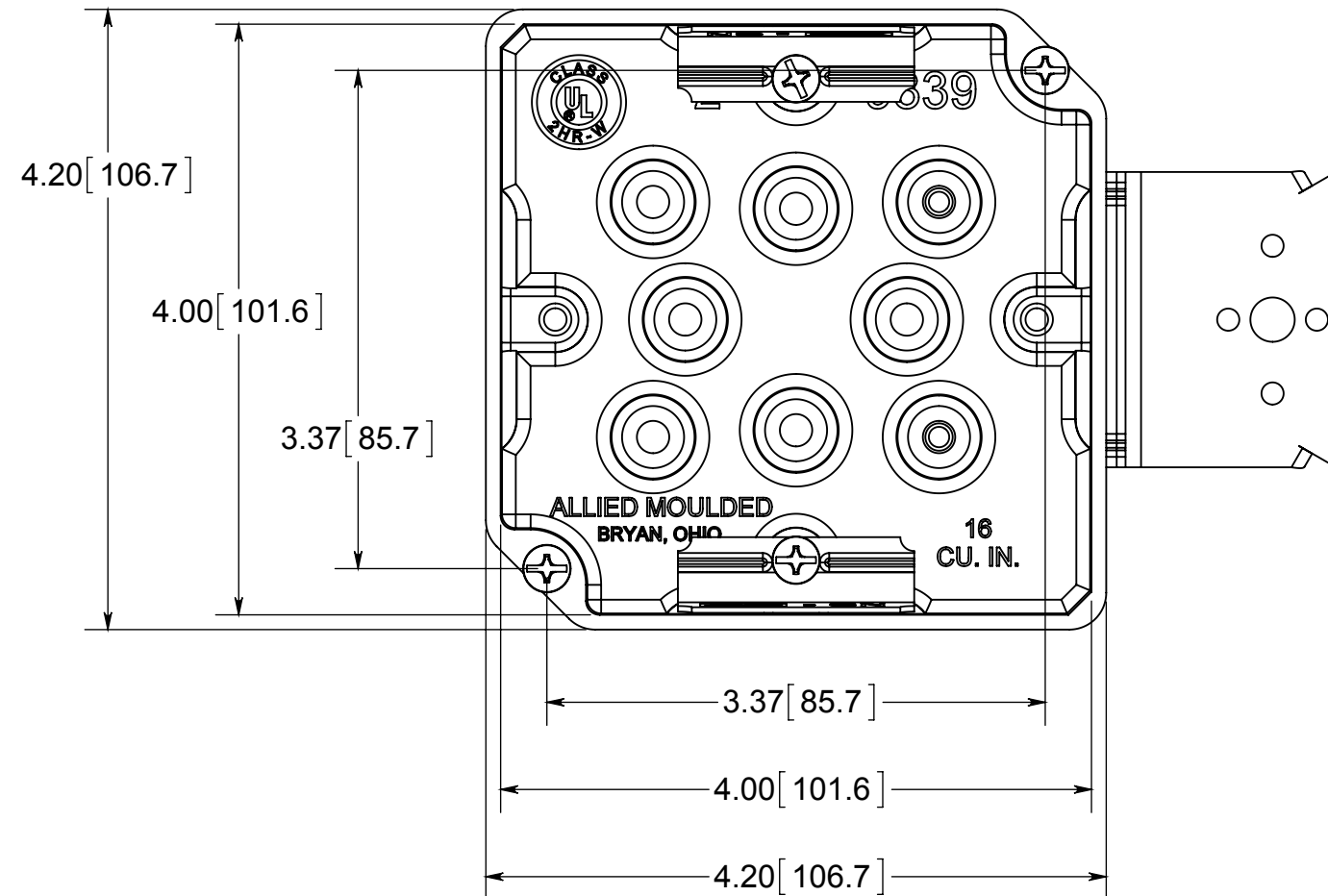


fiberglass BOX™

ISSUE DATE: 06/18/2015



NOTES:

- 1.) BOX MATERIAL: FIBERGLASS REINFORCED POLYESTER, WIRE CLAMP MATERIAL: GALVANIZED STEEL, WIRE CLAMP SCREW MATERIAL: ZINC PLATED STEEL, MOUNTING BRACKET MATERIAL: GALVANIZED STEEL, MOUNTING BRACKET RIVET MATERIAL: ZINC PLATED STEEL, SCREW MATERIAL: ZINC PLATED STEEL
- 2.) UL LISTED WITH 2 HOUR FIRE RATING FOR WALL AND CEILING
- 3.) 2 WIRE CLAMPS FACTORY INSTALLED



® **ALLIED MOULDED PRODUCTS**
BRYAN, OHIO

The Original Fiber Glass Outlet Box

PRODUCT SERIES

SQUARE JUNCTION BOX 16.0 CU. IN.

Part No.

9339-Z+1C2

CONFIDENTIAL

THIS MATERIAL IS OWNED BY THE ALLIED MOULDED PRODUCTS COMPANY, IS DISCLOSED IN CONFIDENCE, AND IS NOT TO BE REPRODUCED OR DISTRIBUTED WITHOUT PRIOR WRITTEN PERMISSION FROM ALLIED MOULDED PRODUCTS.