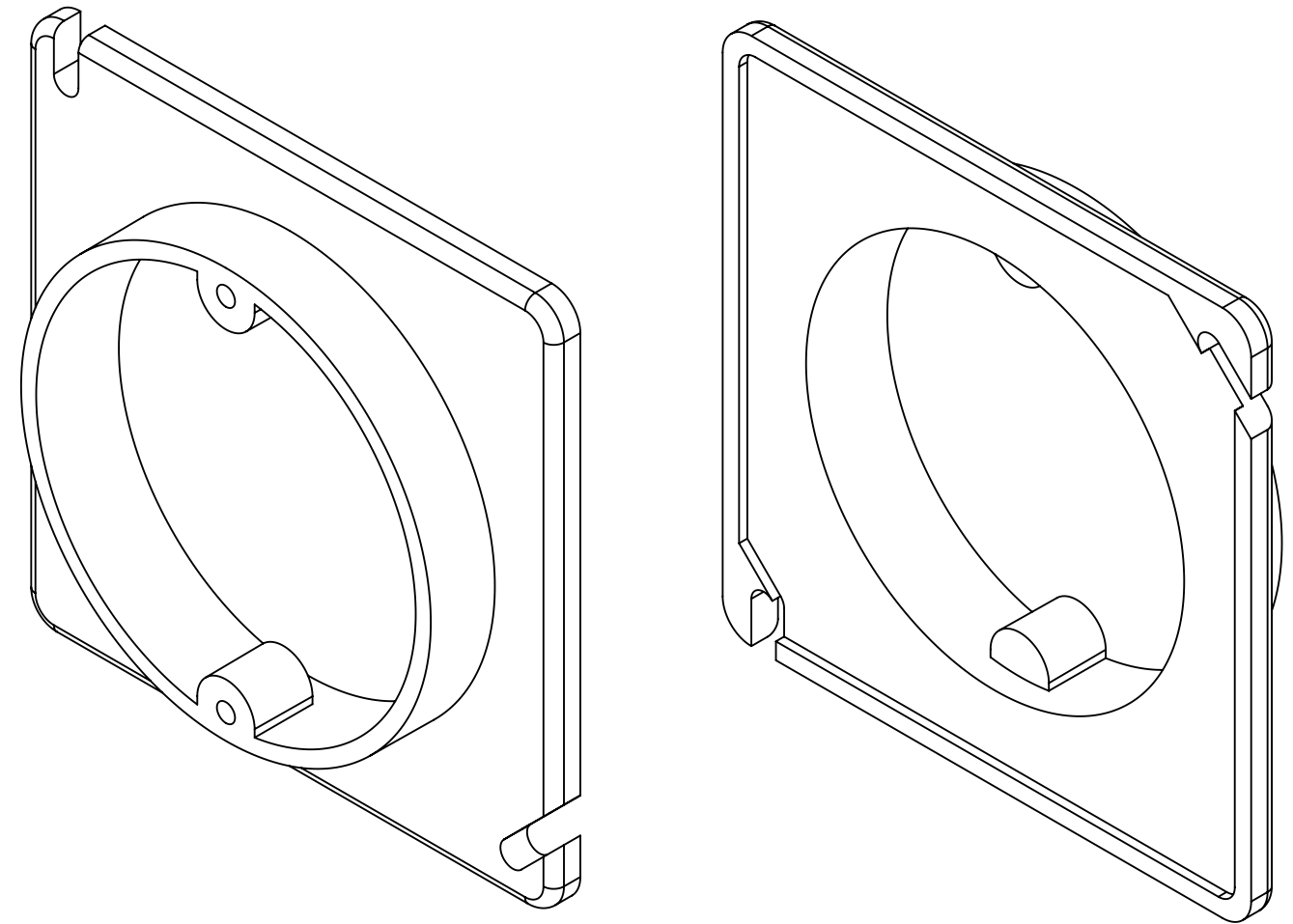
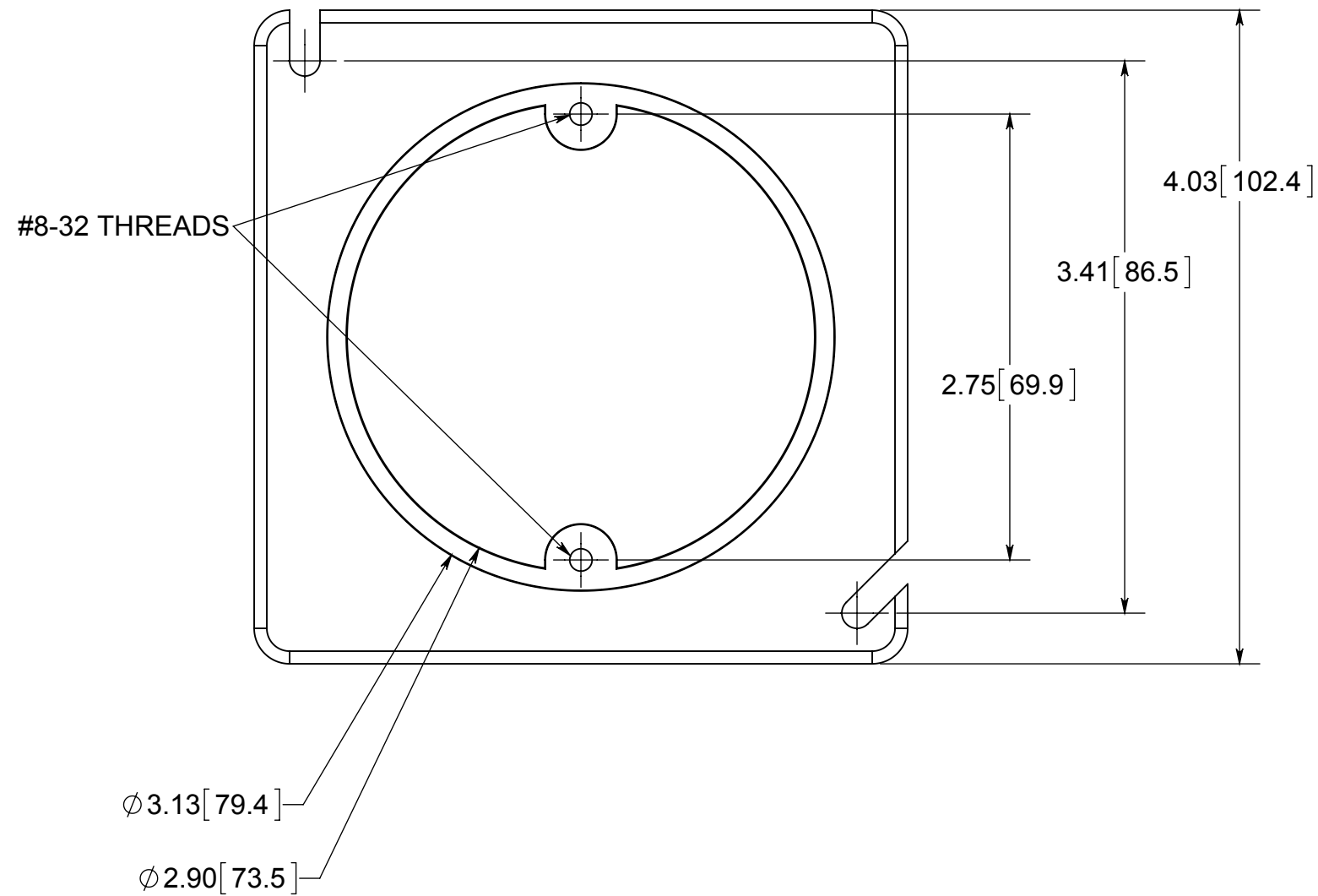
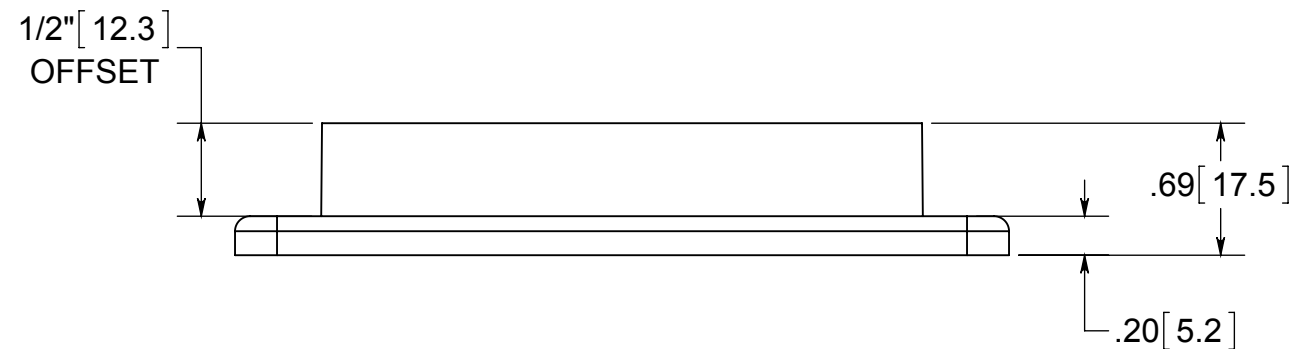


# fiberglass BOX™

ISSUE DATE: 05/14/2015



- NOTES:
- 1.) BOX MATERIAL: FIBERGLASS REINFORCED POLYESTER
  - 2.) USE WITH SERIES 9339, 9342, AND 9343 ONLY
  - 3.) REDUCES TO 3/0 OUTLET



® **ALLIED MOULDED PRODUCTS**  
BRYAN, OHIO

The Original Fiber Glass Outlet Box

PRODUCT SERIES

SQUARE PLASTER RING 4.8 CU. IN.

Part No.

**9347**

**CONFIDENTIAL**

THIS MATERIAL IS OWNED BY THE ALLIED MOULDED PRODUCTS COMPANY, IS DISCLOSED IN CONFIDENCE, AND IS NOT TO BE REPRODUCED OR DISTRIBUTED WITHOUT PRIOR WRITTEN PERMISSION FROM ALLIED MOULDED PRODUCTS.