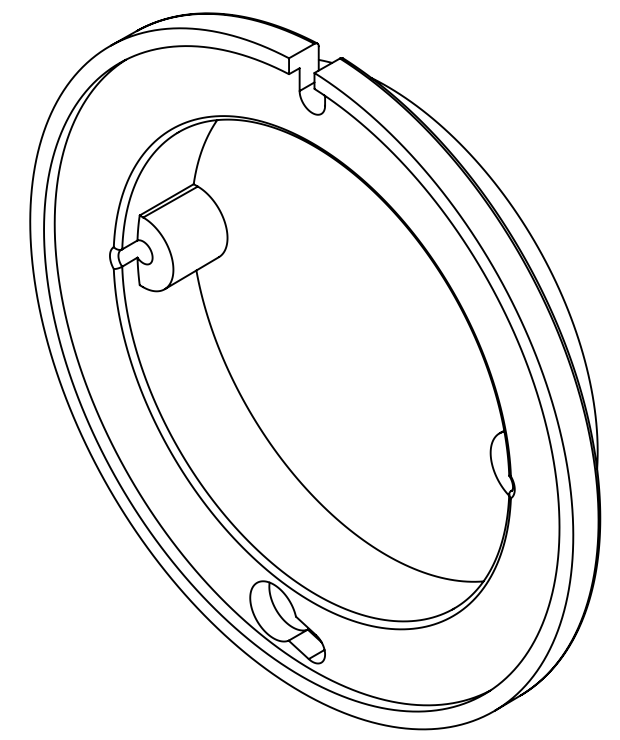
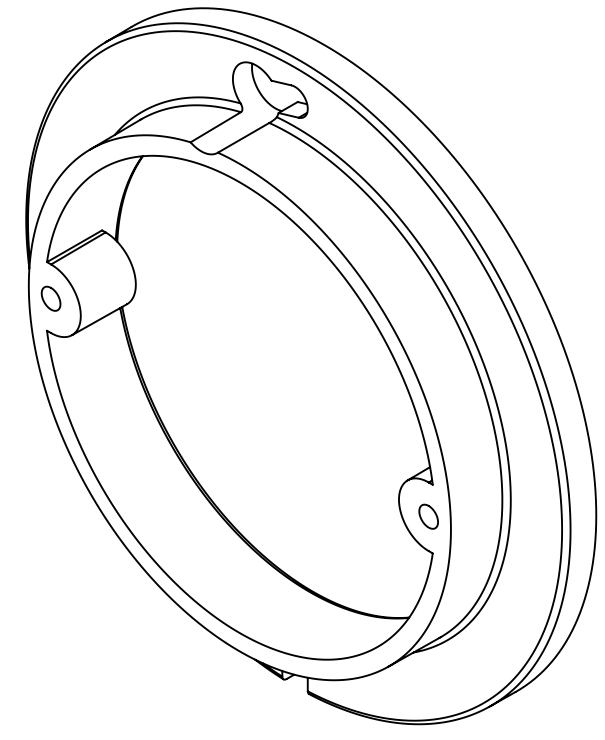
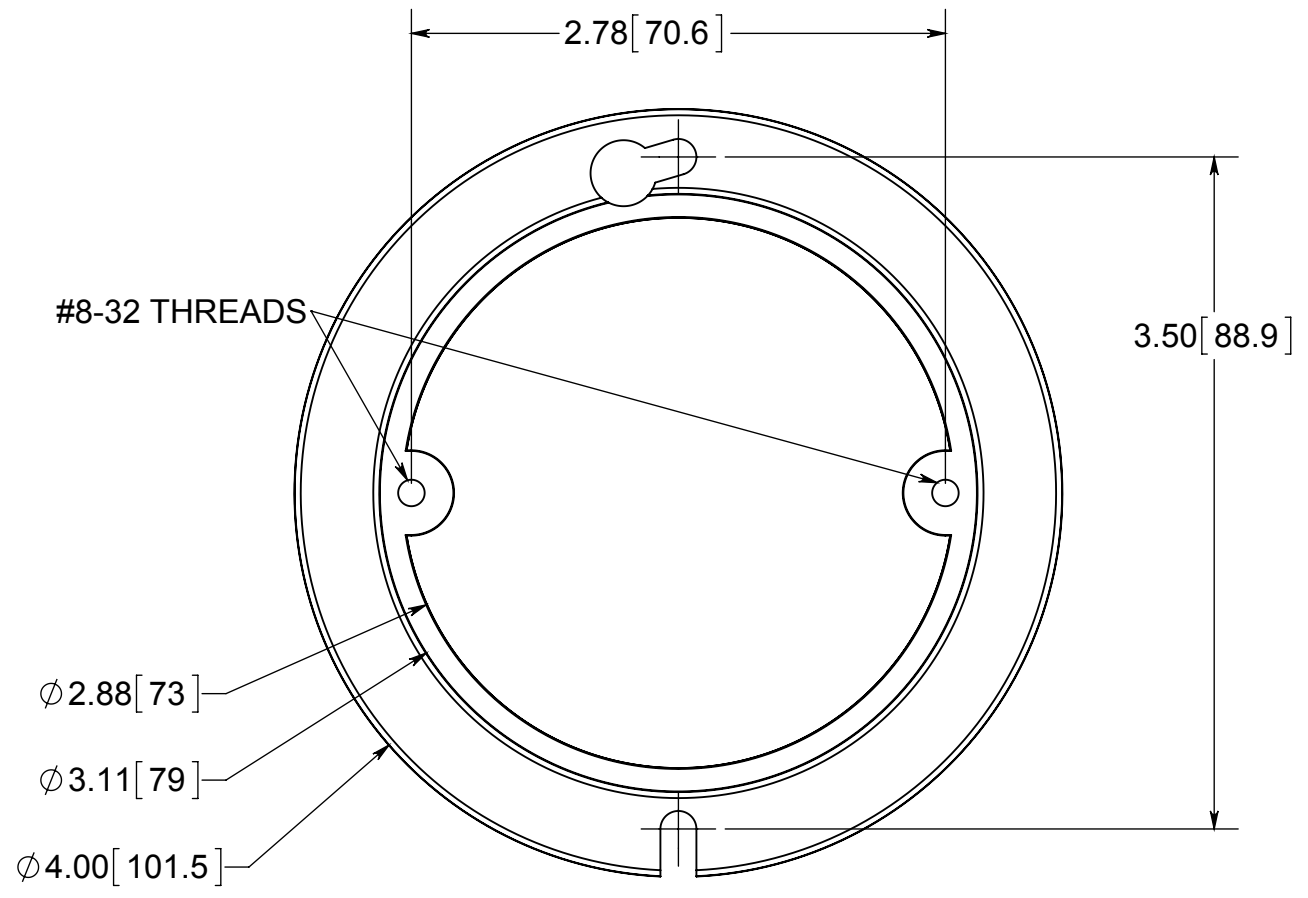
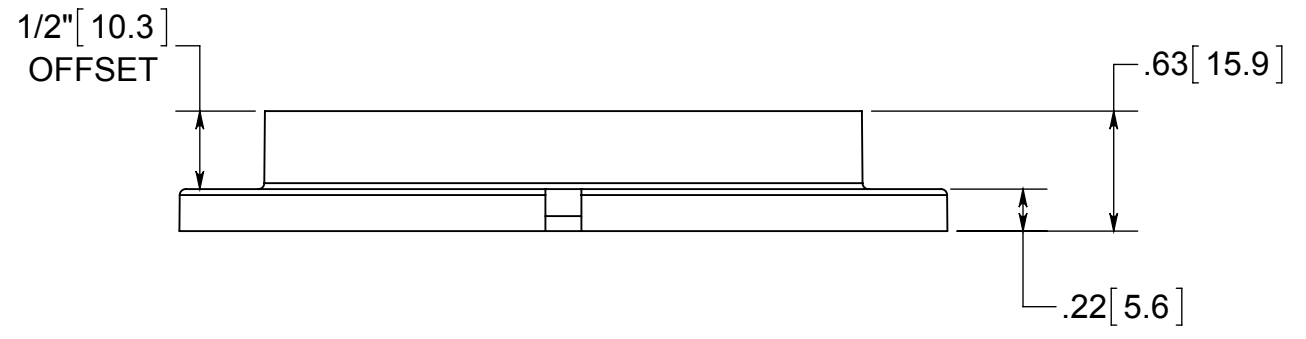


# fiberglass BOX™

ISSUE DATE: 05/14/2015



- NOTES:  
 1.) BOX MATERIAL: FIBERGLASS REINFORCED POLYESTER  
 2.) REDUCES 4" DIA. OUTLET BOX TO 3" DIAM. OPENING  
 3.) USE WITH SERIES 9350, 9351, 9364, AND 9365



 **ALLIED MOULDED PRODUCTS**  
 BRYAN, OHIO  
 The Original Fiber Glass Outlet Box

PRODUCT SERIES  
**ROUND PLASTER RING 4.3 CU. IN.**

Part No.  
**9348**

**CONFIDENTIAL**  
 THIS MATERIAL IS OWNED BY THE ALLIED MOULDED PRODUCTS COMPANY, IS DISCLOSED IN CONFIDENCE, AND IS NOT TO BE REPRODUCED OR DISTRIBUTED WITHOUT PRIOR WRITTEN PERMISSION FROM ALLIED MOULDED PRODUCTS.