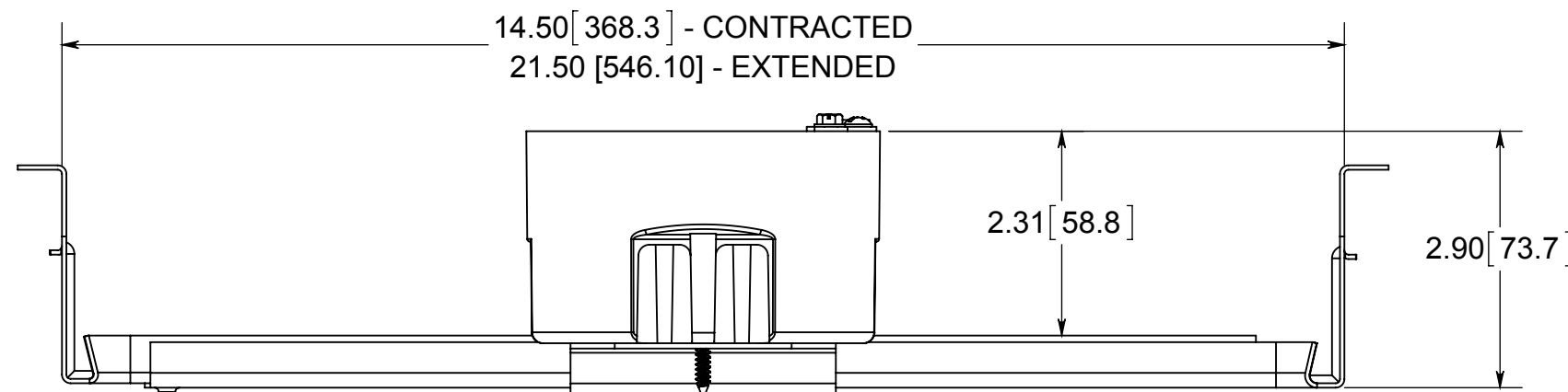
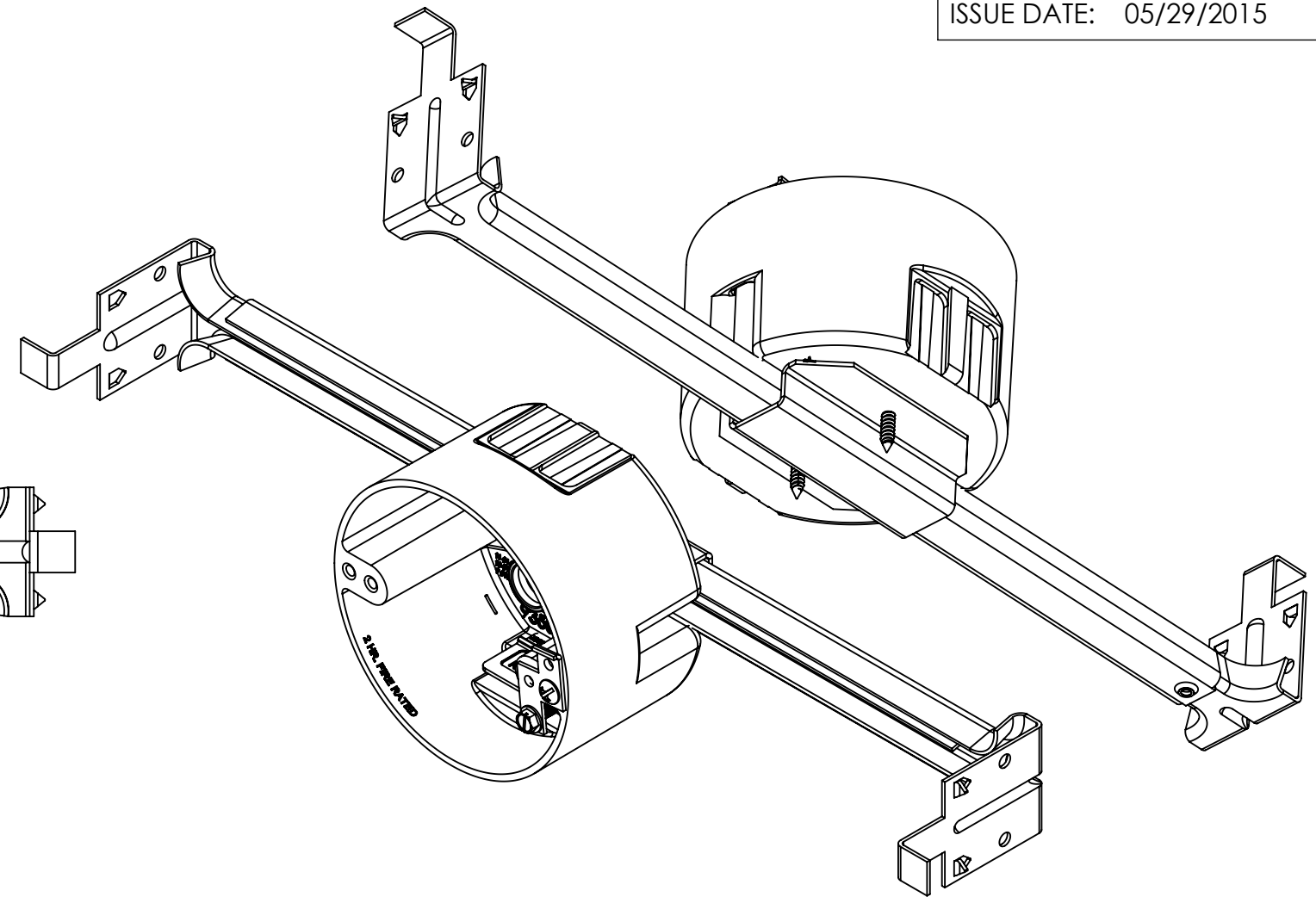
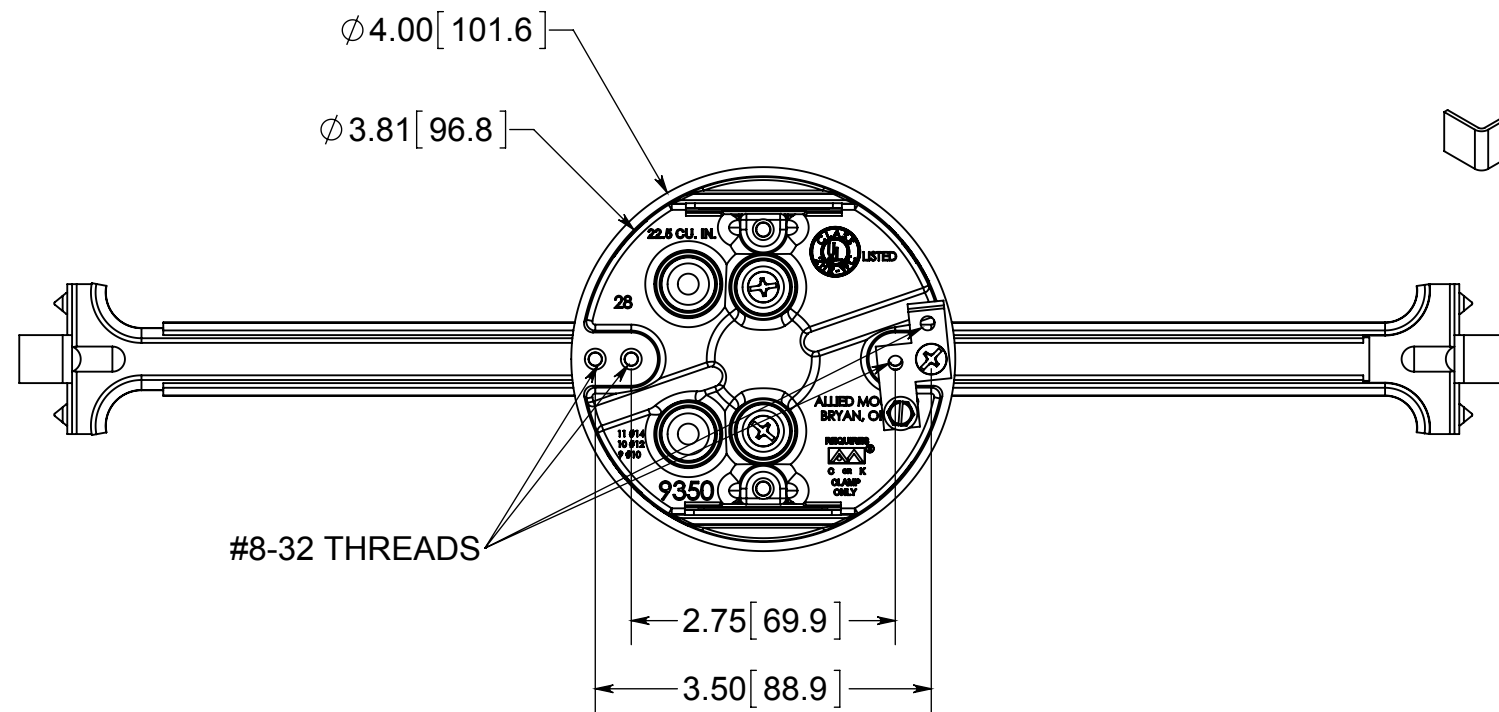


fiberglass BOX™

ISSUE DATE: 05/29/2015



NOTES:

- 1.) BOX MATERIAL: FIBERGLASS REINFORCED POLYESTER, SPEED KLAMP MATERIAL: PVC, BAR MATERIAL: GALVANIZED STEEL, MOUNTING BRACKET MATERIAL: GALVANIZED STEEL, MOUNTING BRACKET SCREW MATERIAL: ZINC PLATED STEEL, GROUND STRAP MATERIAL: GALVANIZED STEEL, GROUND MOUNTING SCREW MATERIAL: GREEN ZINC PLATED STEEL
- 2.) UL LISTED WITH 2 HOUR FIRE RATING FOR WALL AND CEILING
- 3.) 16"-24" ADJUSTMENT BAR HANGER
- 4.) SPEED KLAMPS FACTORY INSTALLED



® **ALLIED MOULDED PRODUCTS**
BRYAN, OHIO

The Original Fiber Glass Outlet Box

PRODUCT SERIES

4" ROUND 22.5 CU. IN.

Part No.

9350-BHGK

CONFIDENTIAL

THIS MATERIAL IS OWNED BY THE ALLIED MOULDED PRODUCTS COMPANY, IS DISCLOSED IN CONFIDENCE, AND IS NOT TO BE REPRODUCED OR DISTRIBUTED WITHOUT PRIOR WRITTEN PERMISSION FROM ALLIED MOULDED PRODUCTS.