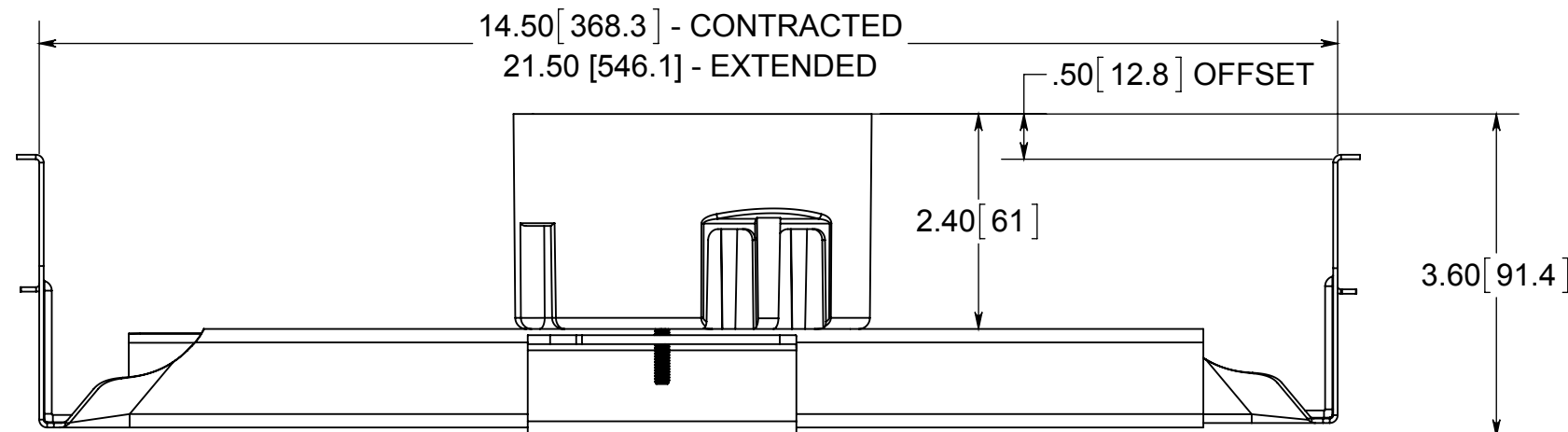
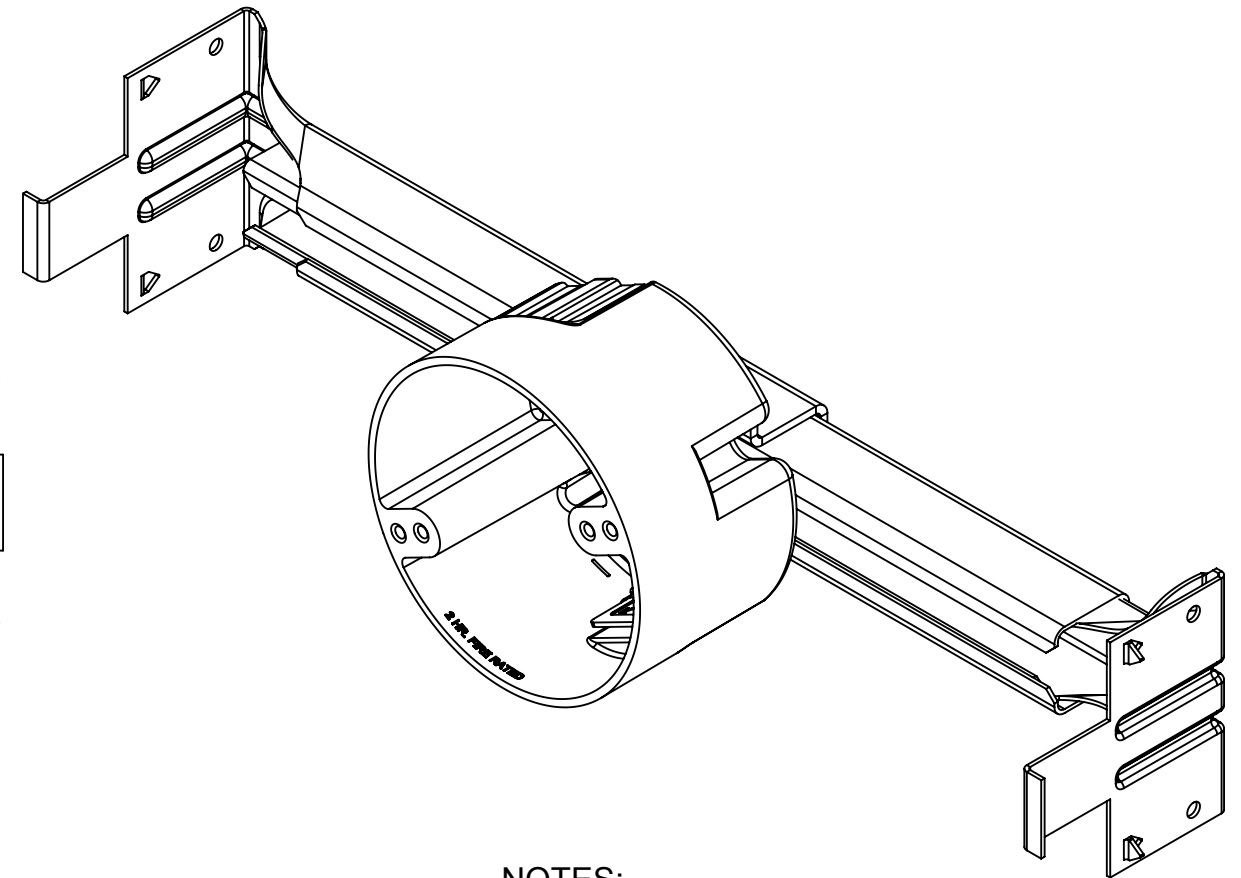
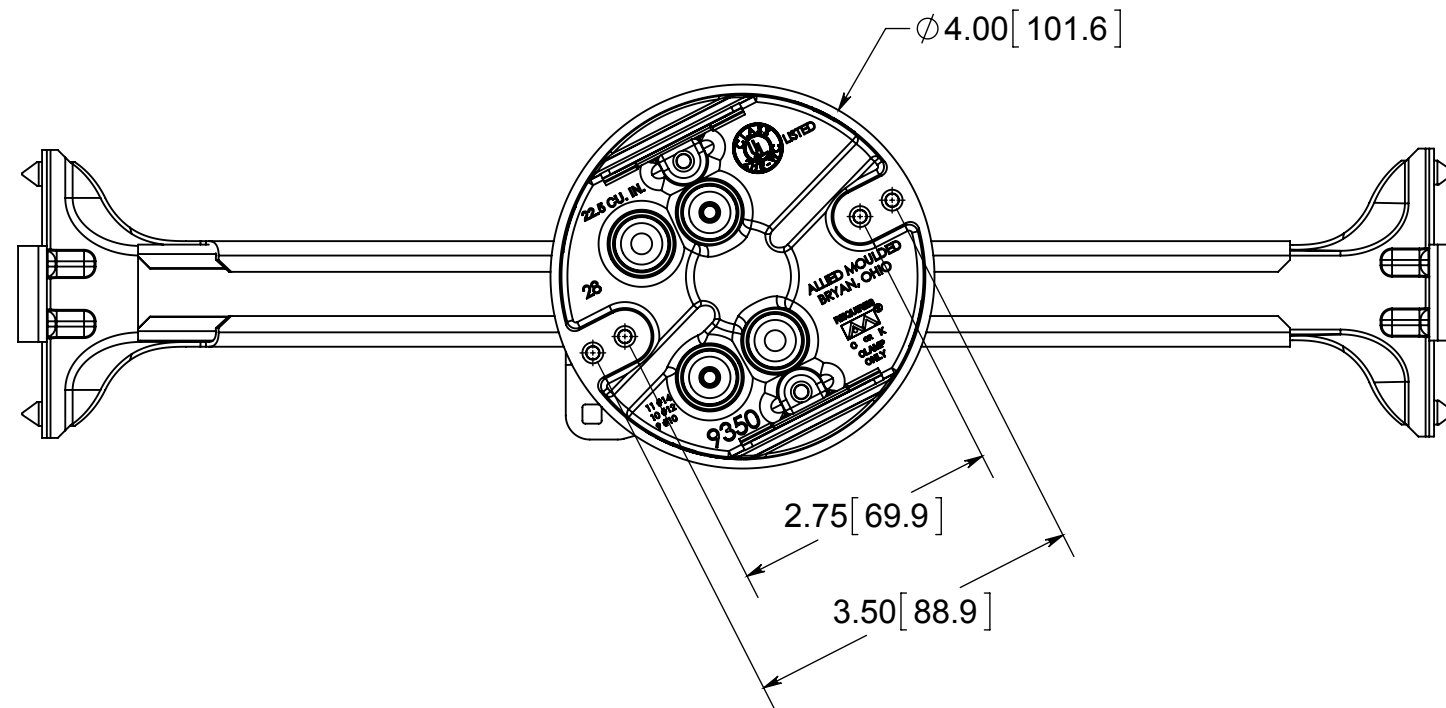


fiberglass BOX™

ISSUE DATE: 04/09/2015



NOTES:

- 1.) BOX MATERIAL: FIBERGLASS REINFORCED POLYESTER, STUD SCREW MATERIAL: PLATED CARBON STEEL, BOX MOUNTING SCREW: ZINC PLATED STEEL, FIXTURE MOUNTING SCREW: ZINC PLATED STEEL, SPEED KLAMP MATERIAL: PVC, BAR MATERIAL: GALVANIZED STEEL, BRACKET MATERIAL: GALVANIZED STEEL
- 2.) UL LISTED WITH 2 HOUR FIRE RATING FOR WALL AND CEILING
- 3.) 2 SPEED KLAMPS FACTORY INSTALLED
- 4.) FAN RATED AT 35-LBS, FIXTURE RATED AT 50-LBS
- 5.) MOUNTING HARDWARE INCLUDED: 4x #6 X 1.625 WOOD SCREWS, 2x #8-32 X .75 MACHINE SCREWS, 2x #8-32 1.25 MACHINE SCREWS

 **ALLIED MOULDED PRODUCTS**
BRYAN, OHIO
The Original Fiber Glass Outlet Box

PRODUCT SERIES

4.0" ROUND FAN RATED BAR, 22.5 CU.IN.

Part No.

9350-FANB

CONFIDENTIAL

THIS MATERIAL IS OWNED BY THE ALLIED MOULDED PRODUCTS COMPANY, IS DISCLOSED IN CONFIDENCE, AND IS NOT TO BE REPRODUCED OR DISTRIBUTED WITHOUT PRIOR WRITTEN PERMISSION FROM ALLIED MOULDED PRODUCTS.