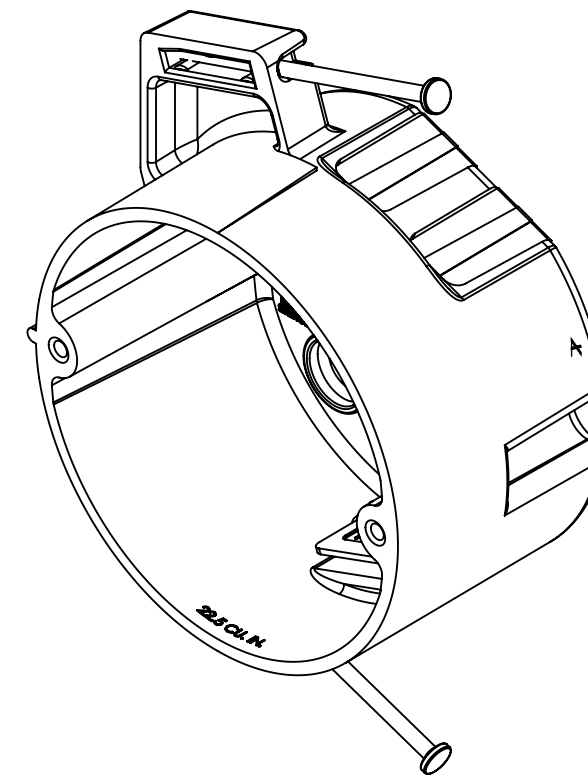
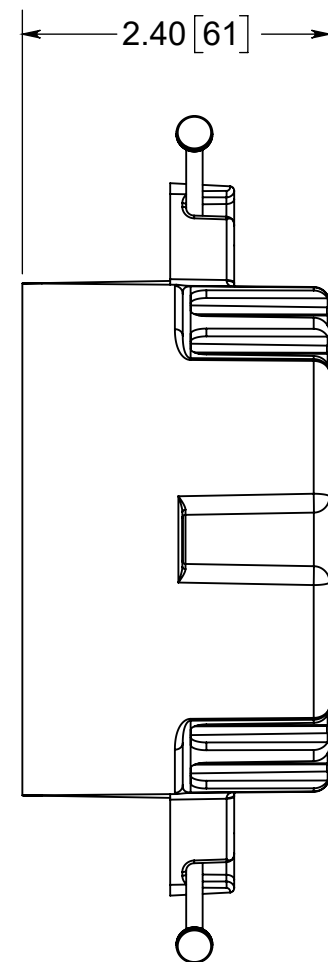
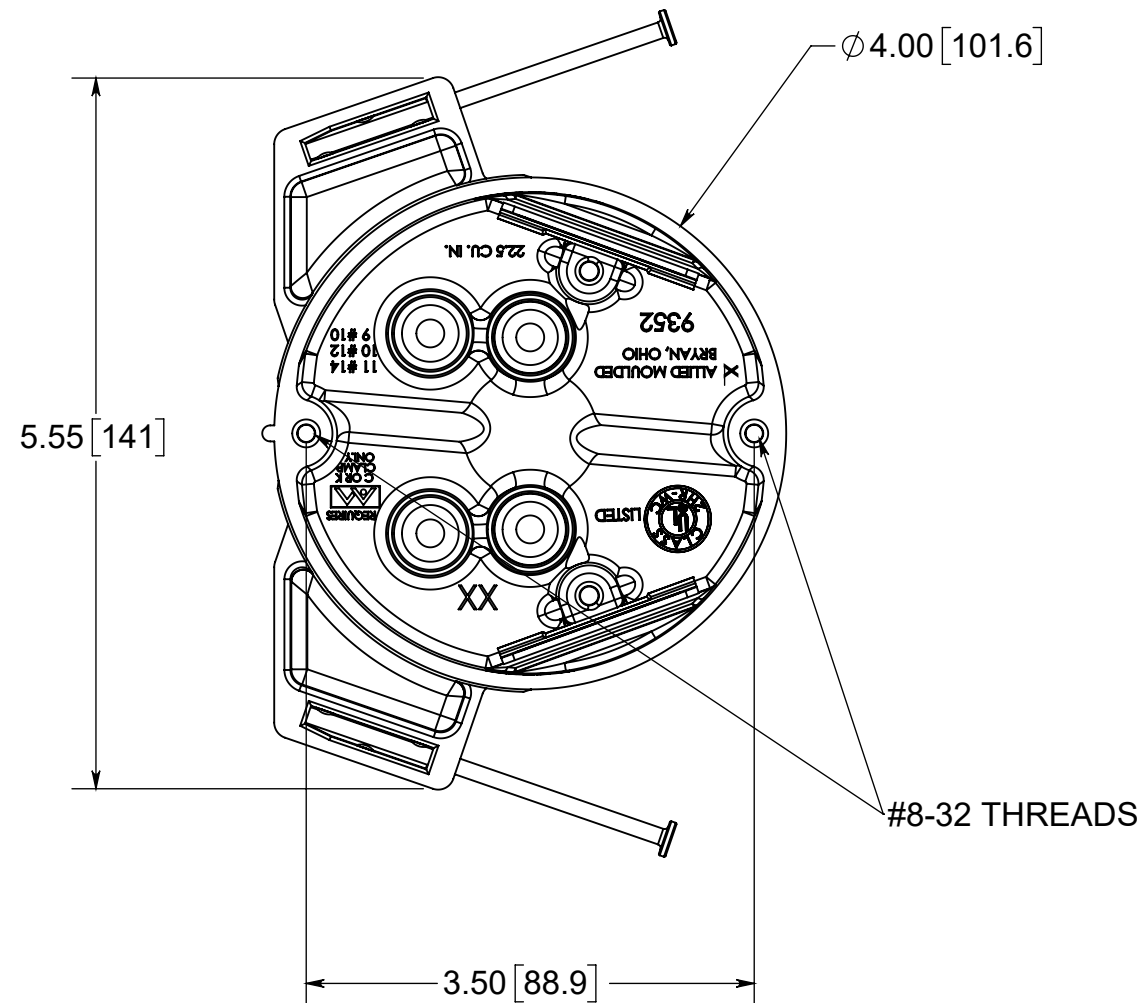


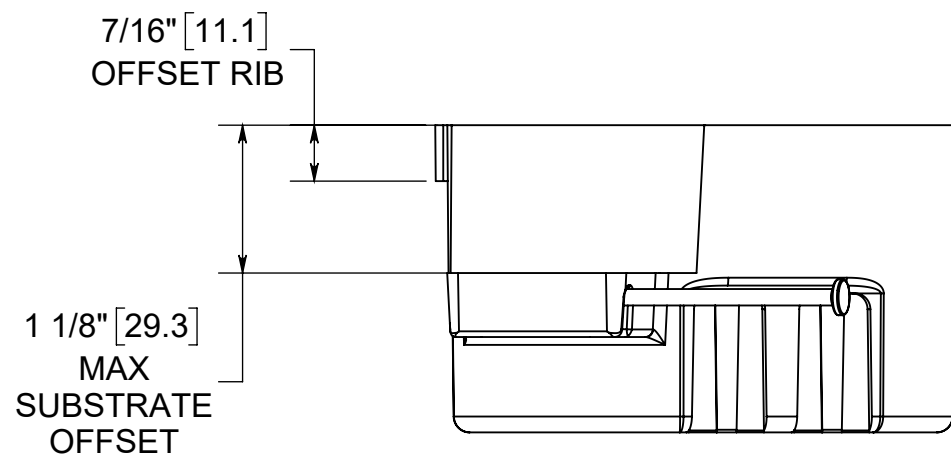
# fiberglass BOX™

ISSUE DATE: -



**NOTES:**

1. BOX MATERIAL: FIBERGLASS REINFORCED POLYESTER, NAIL MATERIAL: PLATED CARBON STEEL, SPEED KLAMP MATERIAL: PVC
2. UL LISTED WITH 2 HOUR FIRE RATING FOR WALL AND CEILING
3. ANGLED MID-NAILED
4. 2 SPEED KLAMPS FACTORY INSTALLED
5. DATA SUBJECT TO CHANGE WITHOUT NOTICE



**CONFIDENTIAL**

THIS MATERIAL IS OWNED BY THE ALLIED MOULDED PRODUCTS COMPANY, IS DISCLOSED IN CONFIDENCE AND IS NOT TO BE REPRODUCED OR DISTRIBUTED WITHOUT PRIOR WRITTEN PERMISSION FROM ALLIED MOULDED PRODUCTS.

©2017 Allied Moulded Products, Inc.  
All Rights Reserved



® **ALLIED MOULDED PRODUCTS**  
BRYAN, OHIO

The Original Fiber Glass Outlet Box

PRODUCT SERIES

**4" ROUND 22.5 CU. IN.**

Part No.

**9352-NK**