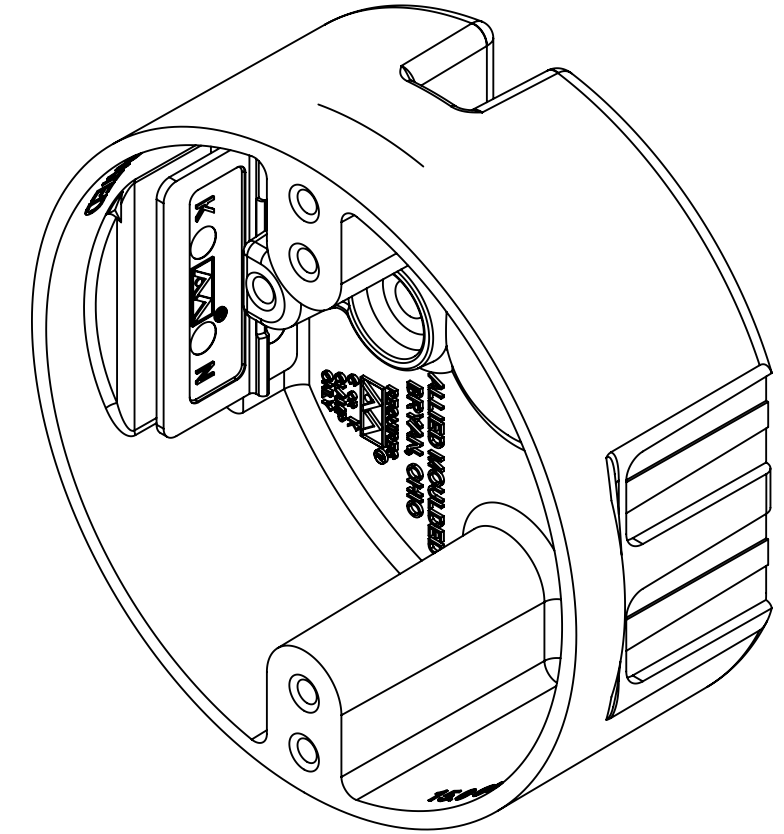
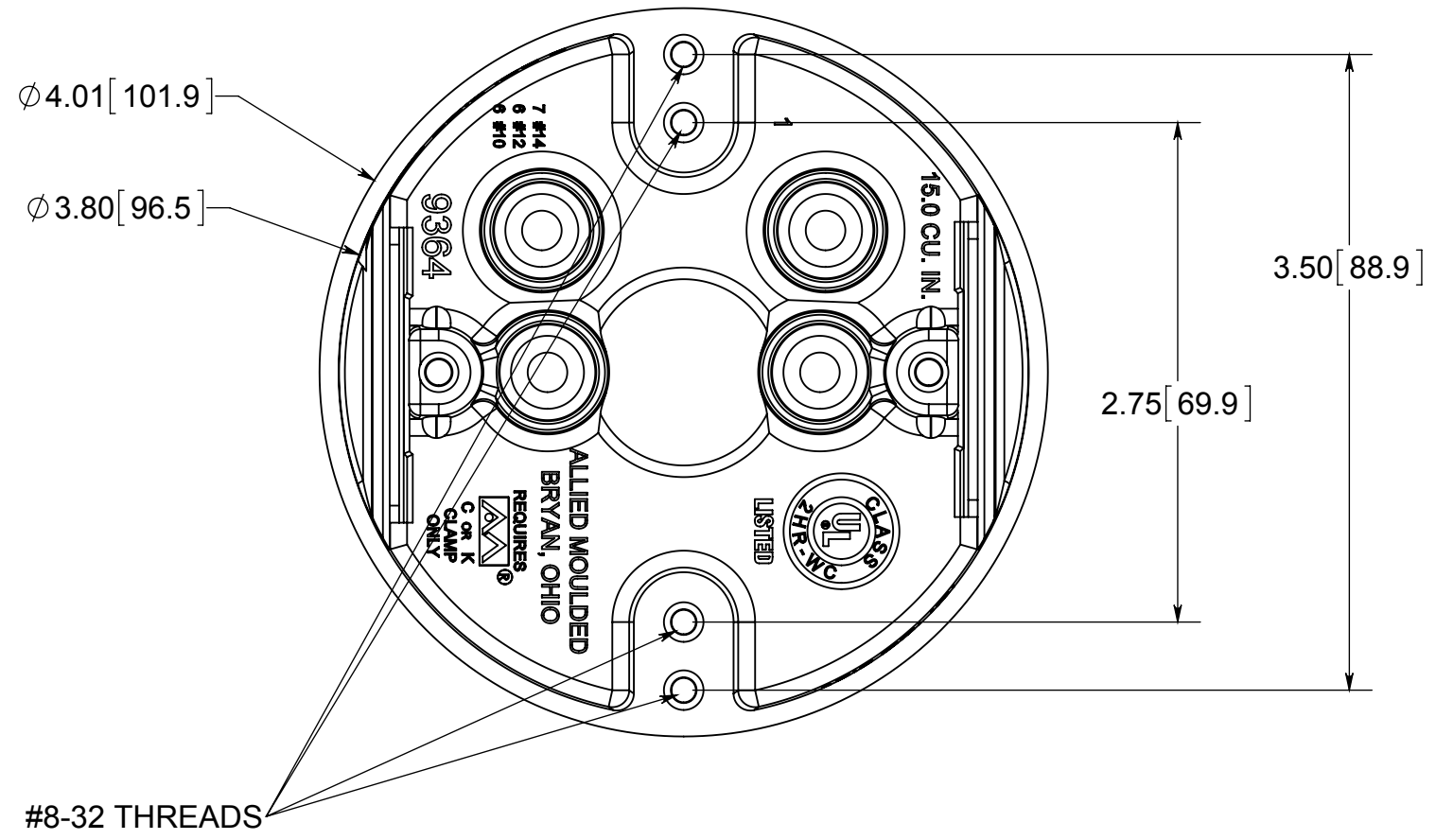


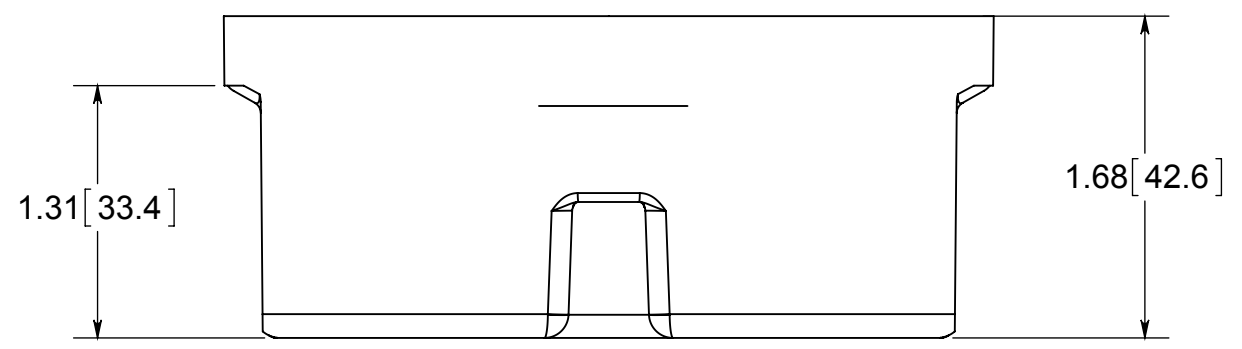
# fiberglass BOX™

ISSUE DATE: 06/29/2015



#8-32 THREADS

- NOTES:  
 1.) BOX MATERIAL: FIBERGLASS REINFORCED POLYESTER, SPEED KLAMP MATERIAL: PVC  
 2.) UL LISTED WITH 2 HOUR FIRE RATING FOR WALL AND CEILING  
 3.) SPEED KLAMPS FACTORY INSTALLED



 **ALLIED MOULDED PRODUCTS**  
 BRYAN, OHIO  
 The Original Fiber Glass Outlet Box

PRODUCT SERIES  
**4" ROUND 15.0 CU. IN.**

Part No.  
**9364-K**

**CONFIDENTIAL**  
 THIS MATERIAL IS OWNED BY THE ALLIED MOULDED PRODUCTS COMPANY, IS DISCLOSED IN CONFIDENCE, AND IS NOT TO BE REPRODUCED OR DISTRIBUTED WITHOUT PRIOR WRITTEN PERMISSION FROM ALLIED MOULDED PRODUCTS.