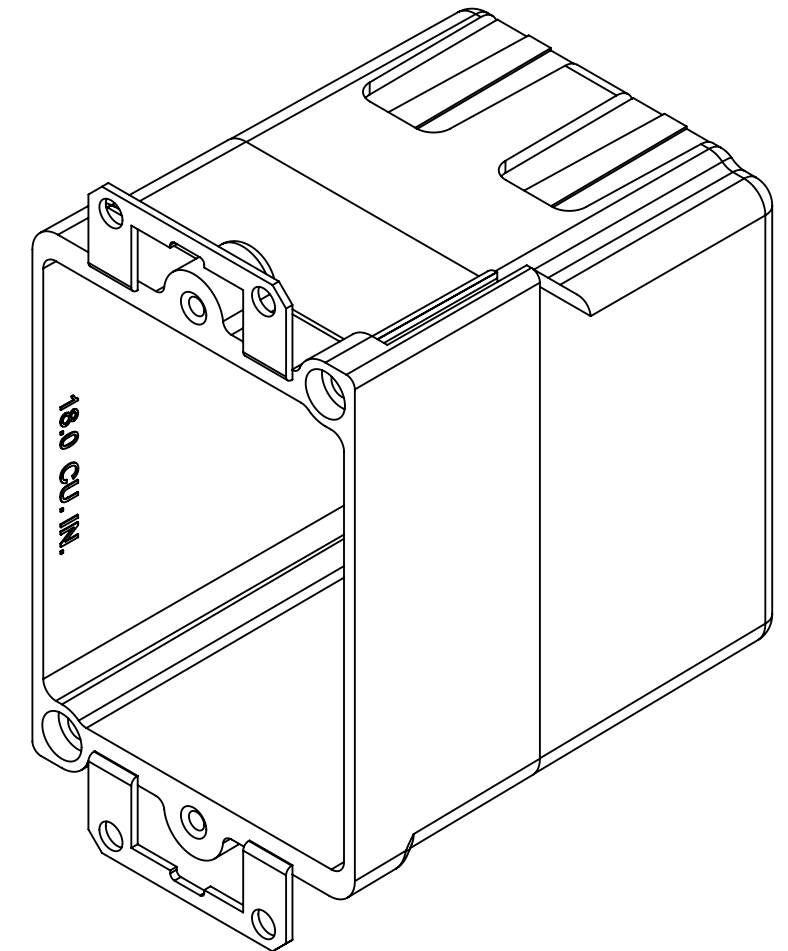
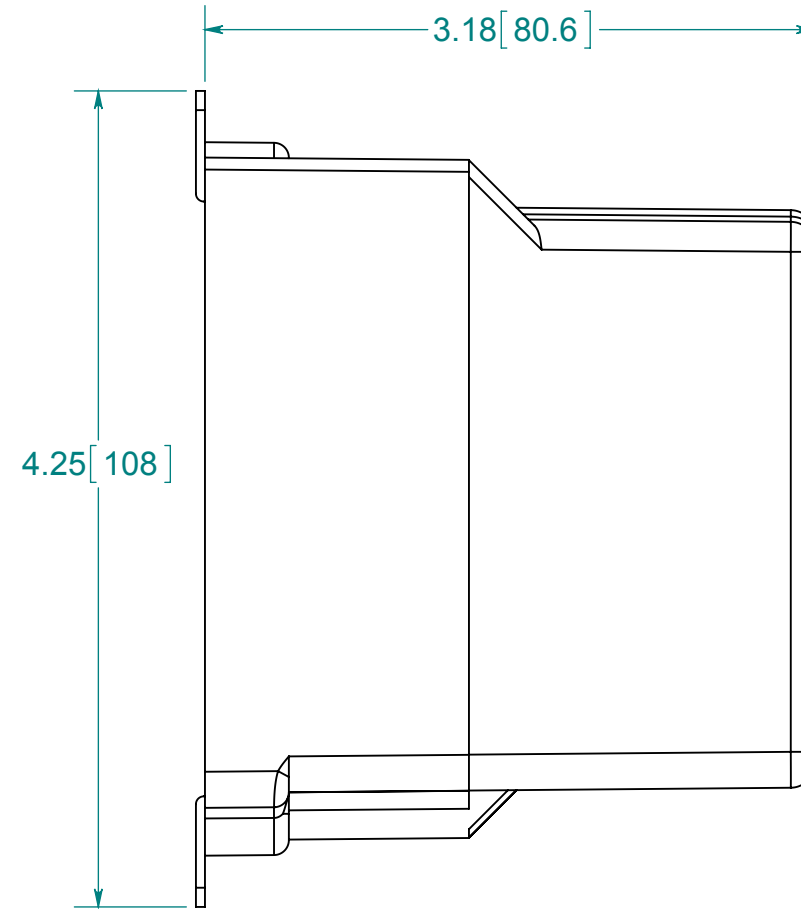
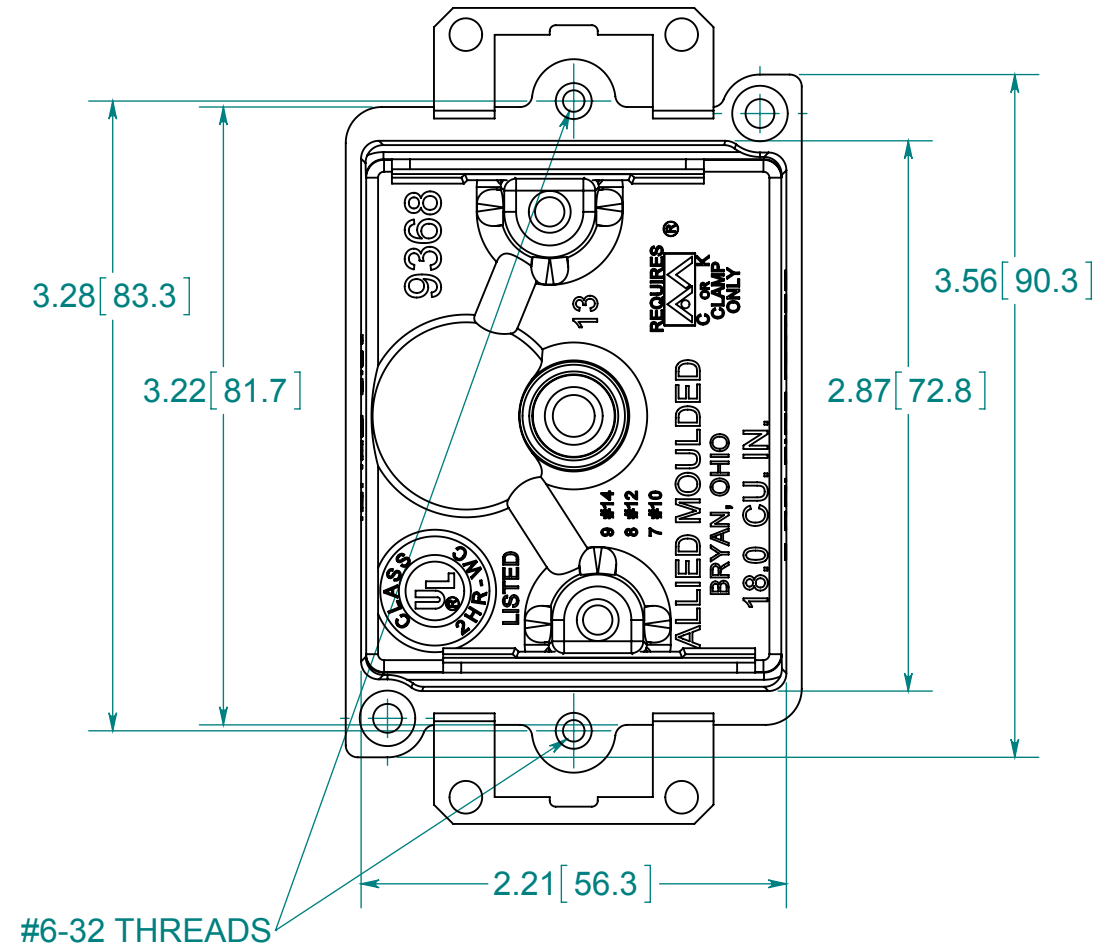


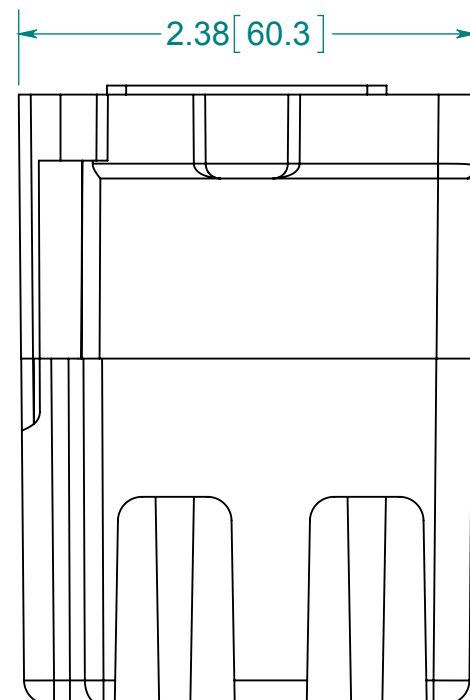
# fiberglass BOX™

ISSUE DATE: 05/13/2015



**NOTES:**

- 1.) BOX MATERIAL: FIBERGLASS REINFORCED POLYESTER, EAR MATERIAL: GALVANIZED STEEL, SPEED KLAMP MATERIAL: PVC
- 2.) UL LISTED WITH 2 HOUR FIRE RATING FOR WALL AND CEILING
- 3.) 2 SPEED KLAMPS FACTORY INSTALLED



® **ALLIED MOULDED PRODUCTS**  
 BRYAN, OHIO

The Original Fiber Glass Outlet Box

PRODUCT SERIES

OLD WORK SINGLE GANG 18.0 CU. IN.

**CONFIDENTIAL**

THIS MATERIAL IS OWNED BY THE ALLIED MOULDED PRODUCTS COMPANY, IS DISCLOSED IN CONFIDENCE, AND IS NOT TO BE REPRODUCED OR DISTRIBUTED WITHOUT PRIOR WRITTEN PERMISSION FROM ALLIED MOULDED PRODUCTS.

Part No.

**9368-EK**