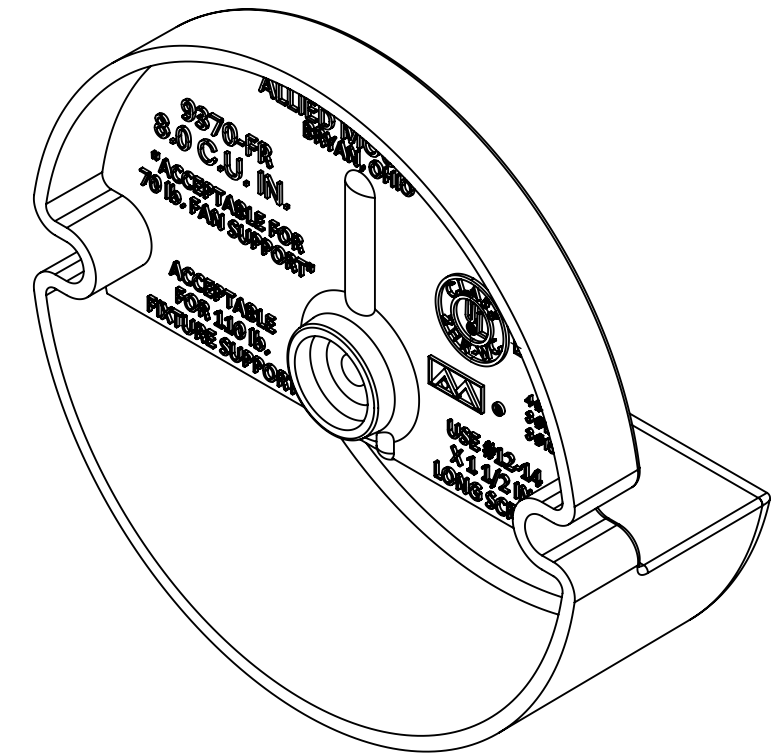
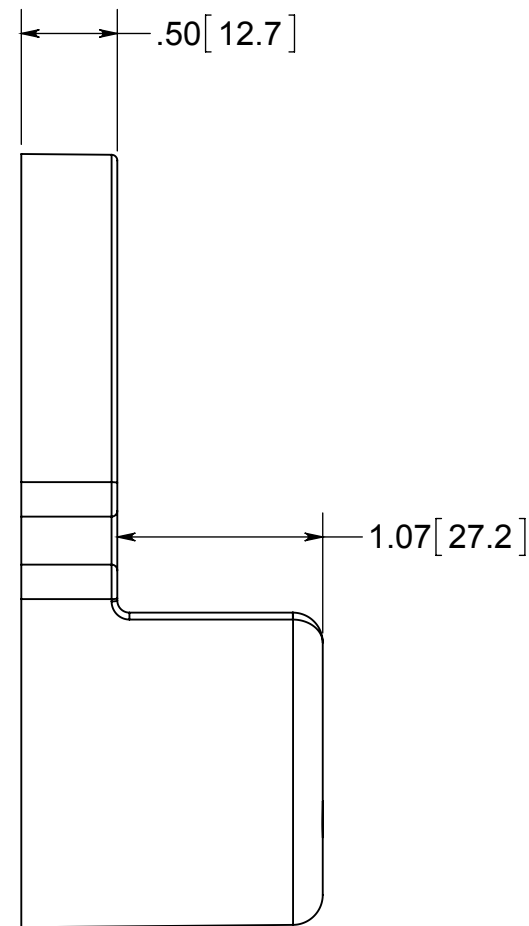
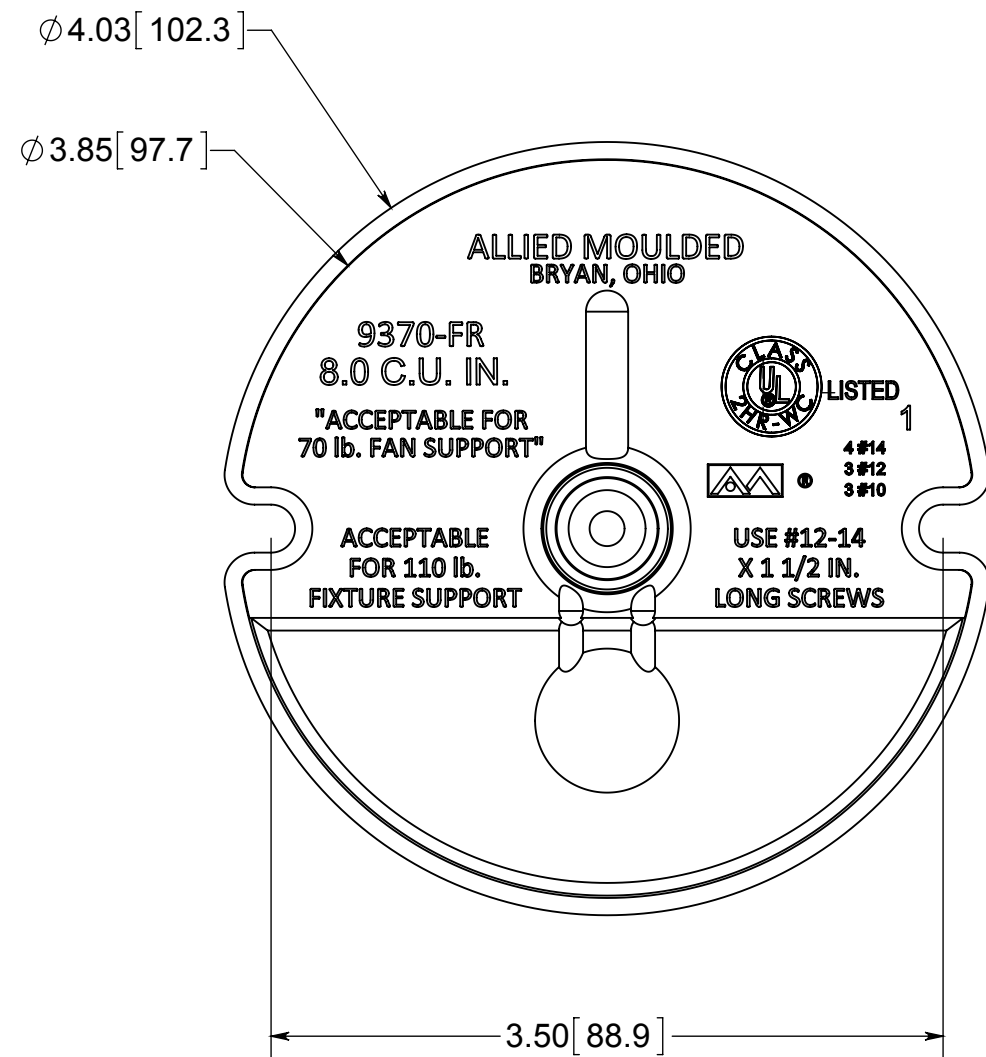
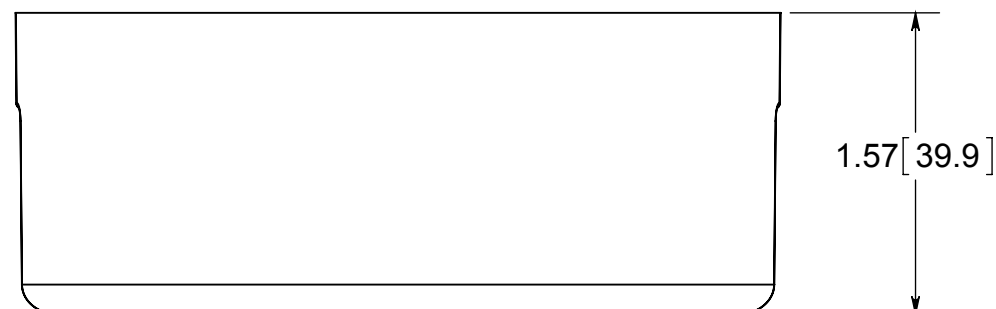


fiberglass BOX™

ISSUE DATE: 06/08/2015



- 1.) BOX MATERIAL: FIBERGLASS REINFORCED POLYESTER, MOUNTING HARDWARE MATERIAL: ZINC PLATED STEEL
- 2.) UL LISTED WITH 2 HOUR FIRE RATING FOR WALL AND CEILING
- 3.) RATED FOR 70LB FAN AND 110LB FIXTURE
- 4.) MOUNTING HARDWARE INCLUDED




ALLIED MOULDED PRODUCTS
 BRYAN, OHIO
 The Original Fiber Glass Outlet Box

PRODUCT SERIES
 4" FAN PAN BOX 8.0 CU. IN.

Part No.
9370-FR

CONFIDENTIAL
 THIS MATERIAL IS OWNED BY THE ALLIED MOULDED PRODUCTS COMPANY, IS DISCLOSED IN CONFIDENCE, AND IS NOT TO BE REPRODUCED OR DISTRIBUTED WITHOUT PRIOR WRITTEN PERMISSION FROM ALLIED MOULDED PRODUCTS.