



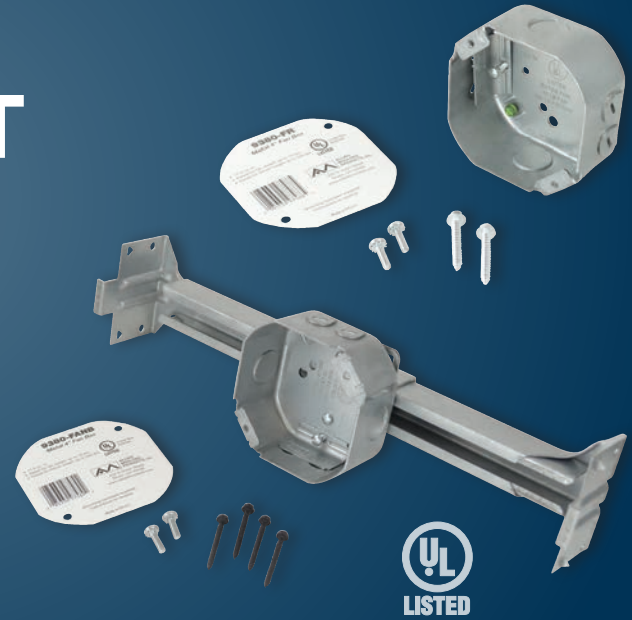
# STEEL FAN & FIXTURE SUPPORT

STEEL FAN BOXES WITH OR WITHOUT BAR HANGER

P/Ns 9380-FR & 9380-FANB

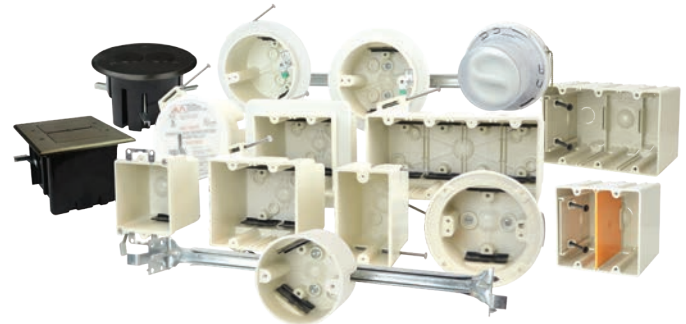
Allied Moulded manufactures fan and fixture support boxes to address many applications. The latest addition to this extensive product line is the steel fan box, P/N 9380-FR, and the bar-mounted steel fan box, P/N 9380-FANB.

These ceiling fixture/fan support boxes are rated for use in both 16" and 24" span ceiling joist applications and meet both UL® deflection and 2011 National Electrical Code (Section 314.27) requirements. Both are for new work installations.



## Product Features & Benefits

- 4" octagonal, 17 cubic inch steel box
- Higher ratings including 70 lb. fan and 200 lb. fixture rating, with no reduction in ratings when used on 16" or 24" on-center joist applications
- Universal bar for mounting in 16" to 24" on-center joist construction
- Positioning tabs on bar for easy joist placement
- Plaster cover provided for retaining mounting hardware and protecting box



**Learn more about  
all of the products  
we have to offer!**



### 4" Diameter Steel Fan & Fixture Support

Cu. In. Volume	Catalog Number	Component Description	Depth	Diameter	Fan Rating	Fixture Rating	UPC# 85339	Std. Pkg. Qty.	Std. Wt. (lb.)
17.0	9380-FR	4" octagonal bottom mount fan & fixture support, two ½" knockouts, four pry-outs, metal clamps – factory installed, mounting hardware included	1-¾"	4"	70 lb.	200 lb.	97588	24	13
17.0	9380-FANB	4" octagonal fan & fixture support, adjustable bar hanger, two ½" knockouts, four pry-outs, metal clamps – factory installed, mounting hardware included	1-¾"	4"	70 lb.	200 lb.	97589	12	26





In addition to the new steel fan box, Allied Moulded offers a heavy-duty bar mount, ceiling fixture/fan support box (P/N 9369-FRBKB) and several “open saddle” 4" round, high rating joist and side/direct mount fan support boxes. The fiberglassBOX™ series (P/N's 9370-FR and 9371-FRV) offers premium hard box characteristics, delivering quality and value to your residential building project.

The thermoplastic P/N's 9373-FR and 9375-FR offer strength while being light-weight, and have ample room for housing wire.

Allied Moulded's SLIDERBOX® high rating fan support box (P/N SB-CBFR) provides an easy solution to both new and old work applications, and provides a faster alternative during installation. With SLIDERBOX, there's no need to remove or relocate mounting screws to reposition the box.

## Product Features & Benefits

- Can be used for new and old work applications
- Heavy duty 70 lb. fan and \*110 lb. fixture rating (\*SLIDERBOX® fan box has a 90 lb. fixture rating)
- Engineering grade thermoset or thermoplastic construction for rigid design and superior heat resistance
- UL® Listed 2-hour fire resistive rating for walls and ceilings
- Includes mounting screws for easy joist installation and for easy installation of fan or fixture to the joist



### 4" Diameter Fan & Fixture Support

Cu. In. Volume	Catalog Number	Component Description	Depth	Diameter	Fan Rating	Fixture Rating	UPC# 85339	Std. Pkg. Qty.	Std. Wt. (lb.)
8.0	9370-FR	4" diameter fiberglassBOX™ pan fan box, ½" deep base, "pop-in" cable clamp, mounting hardware included	1-½" overall	4"	70 lb.	110 lb.	76600	24	6
12.0	9371-FRV	4" diameter fiberglassBOX™ pan fan box with Vapor Seal flange, ½" deep base, Speed Klamps™ factory installed, mounting hardware included	2-7/8" overall	4" (flange dia. is 5-¼")	70 lb.	110 lb.	92705	24	9
16.5	9373-FR	4" diameter thermoplastic fan box, ½" deep base, molded-in Speed Klamps™, mounting hardware included	6" overall	4"	70 lb.	110 lb.	78254	40	15
14.0	9375-FR	4" diameter thermoplastic fan box, ½" deep base, molded-in Speed Klamps™, two ½" knockouts, mounting hardware included	3-13/16" overall	4"	70 lb.	110 lb.	79291	24	7
25.0	SB-CBFR	Internal steel stud/wood screws, molded-in Speed Klamps, two ½" knockouts, paddle fan mounting bracket and screws included	2-¾"	4"	70 lb.	90 lb.	94506	12	9
16.0	9369-FRBKB	4" diameter fiberglassBOX™ fan box, adjustable bar hanger, Speed Klamps™ – factory installed	1-¾"	4"	70 lb.	125 lb.	99739	20	28