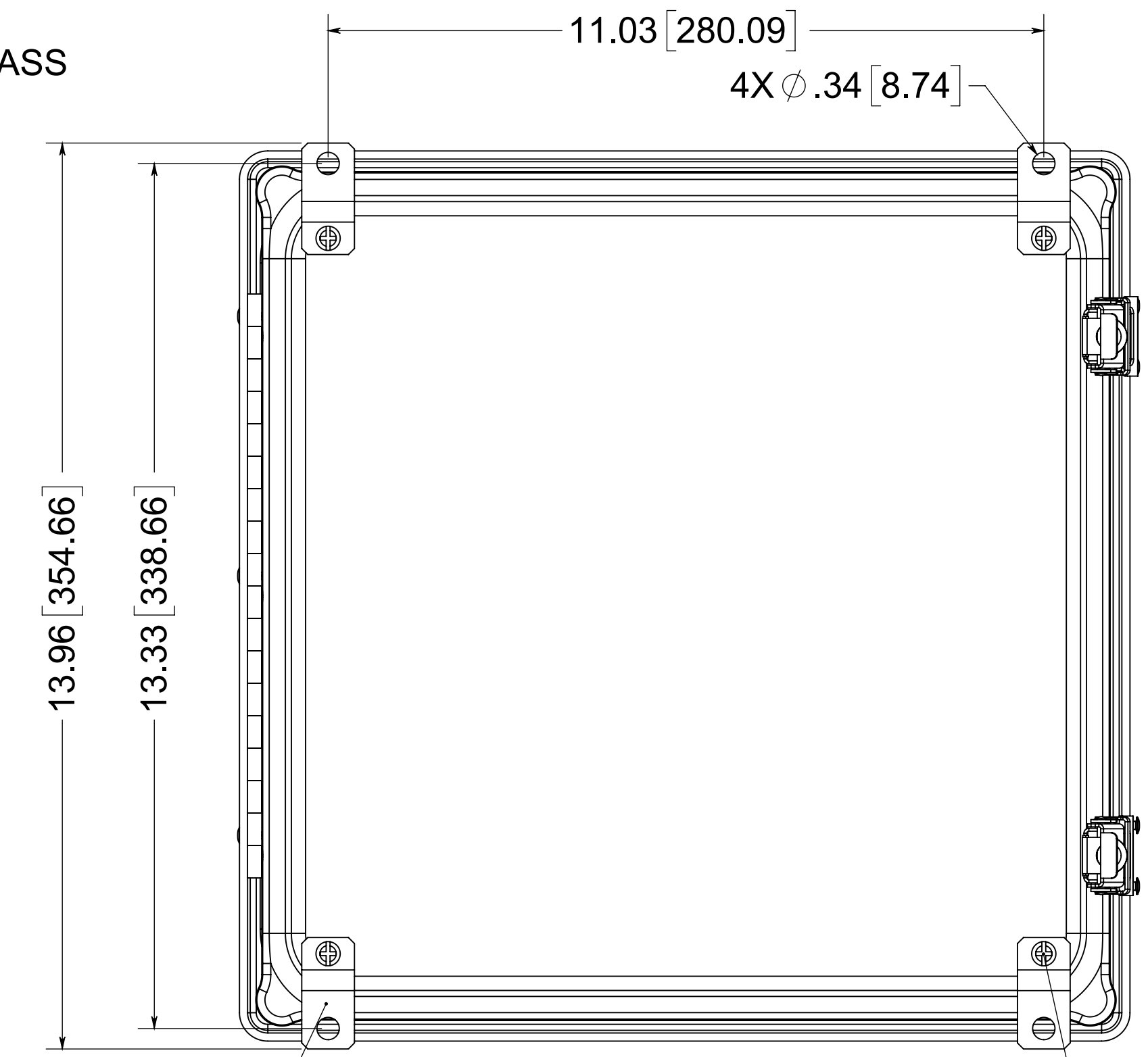
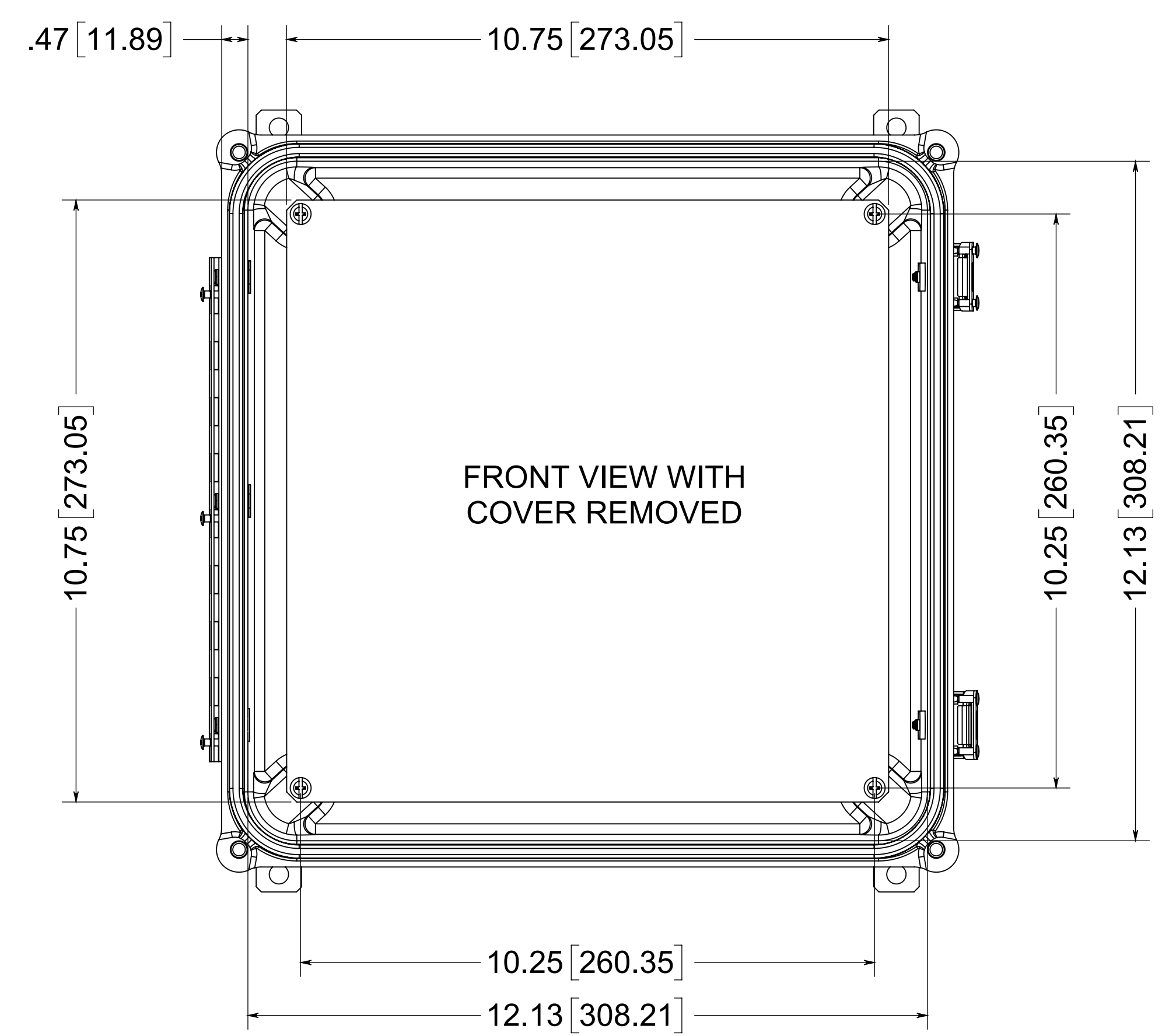
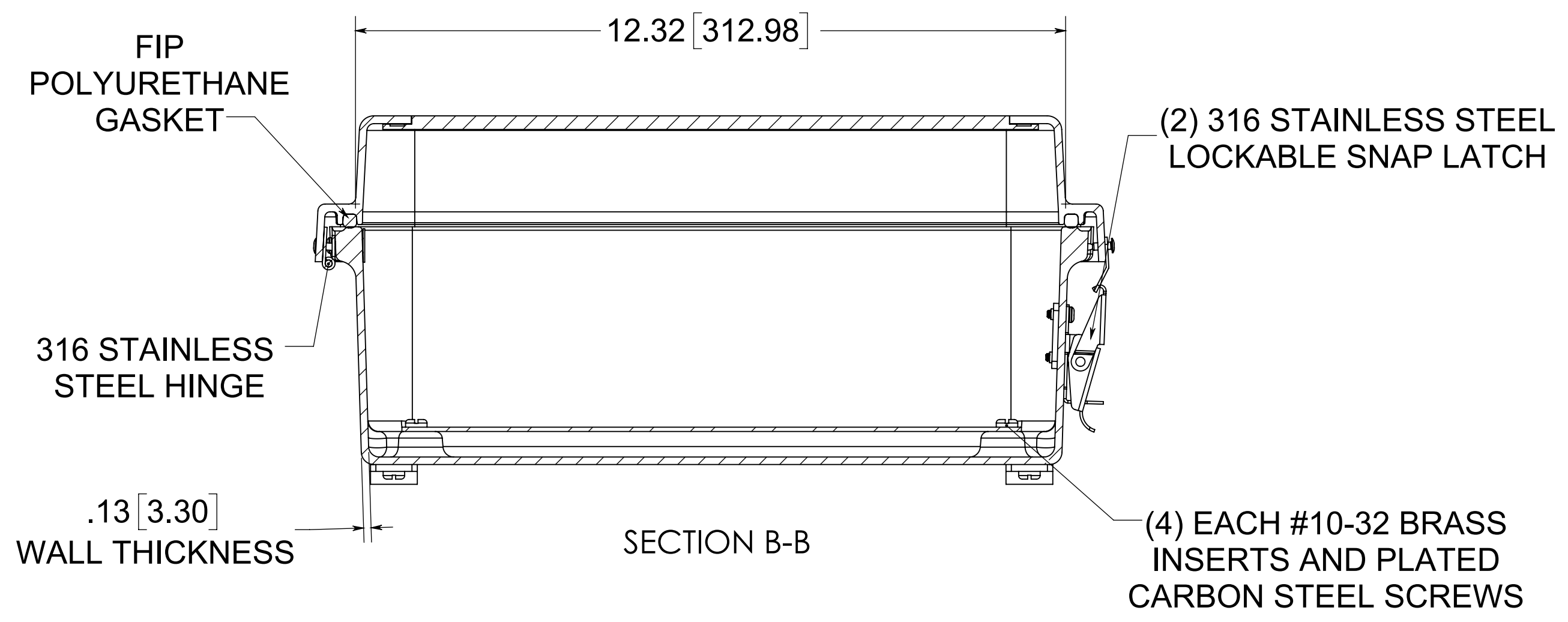


OPTIONAL BACK PANEL  
0.100 [2.54] TH'K - ALUMINUM  
0.075 [1.91] TH'K - WHITE STEEL &  
GALVANNEALED  
0.125 [3.18] TH'K - FIBERGLASS



(4) 316 STAINLESS STEEL FEET

(4) EACH #10-32 BRASS INSERTS AND 316 STAINLESS STEEL FEET SCREWS



NOTE:  
1. DATA SUBJECT TO CHANGE WITHOUT NOTICE

MATERIAL:  
BOX - COMPRESSION MOLDED FIBERGLASS REINFORCED POLYESTER  
COVER - COMPRESSION MOLDED FIBERGLASS REINFORCED POLYESTER  
WINDOWS - POLYCARBONATE

CONFIDENTIAL  
THIS MATERIAL IS OWNED BY THE ALLIED MOULDED PRODUCTS COMPANY, IS DISCLOSED IN CONFIDENCE, AND IS NOT TO BE REPRODUCED OR DISTRIBUTED WITHOUT PRIOR WRITTEN PERMISSION FROM ALLIED MOULDED PRODUCTS.

ALLIED MOULDED PRODUCTS  
BRYAN, OHIO  
The Original Fiber Glass Outlet Box

Description  
**AM Series**  
Part No.  
**AM1224RLW**