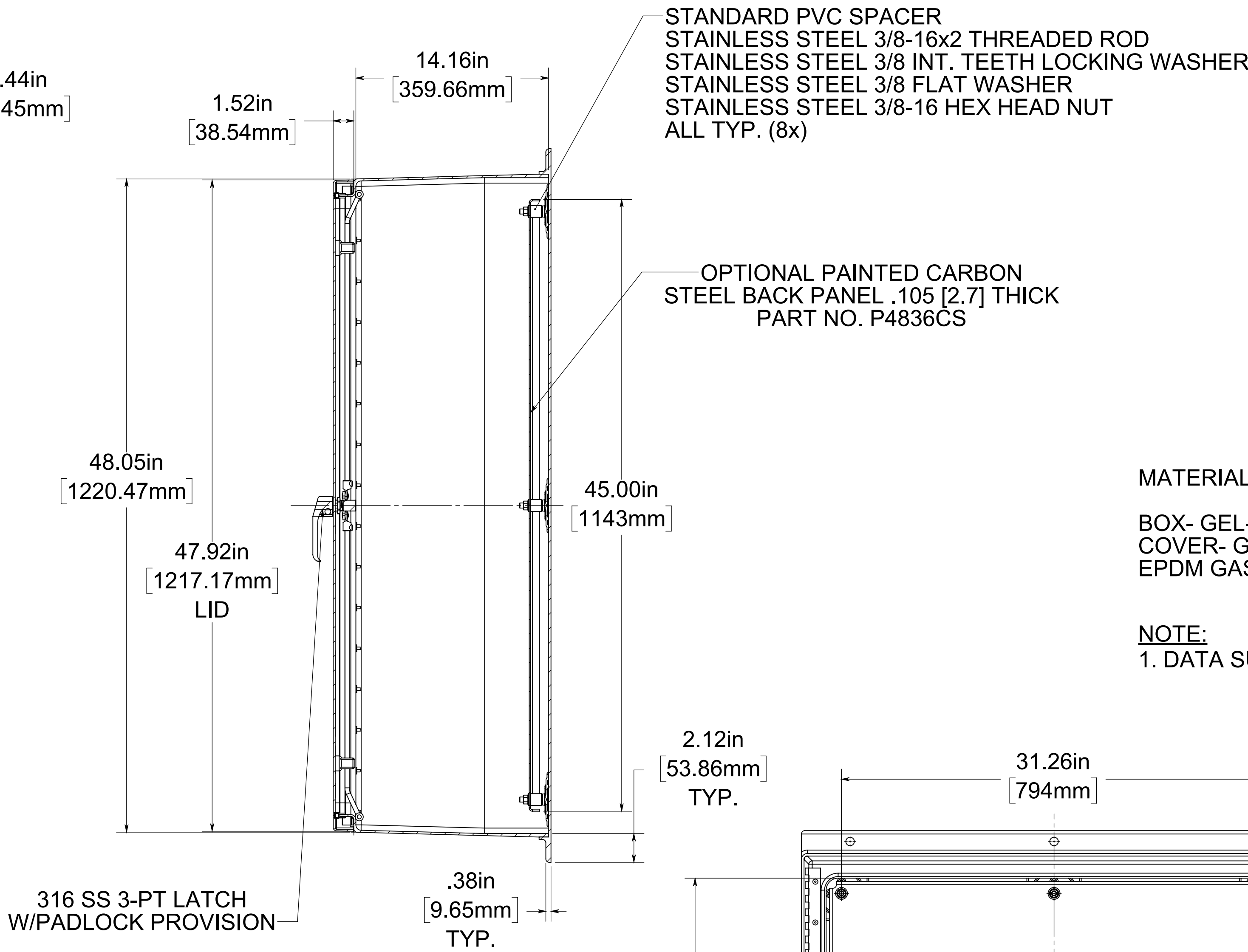


FRONT VIEW WITH COVER



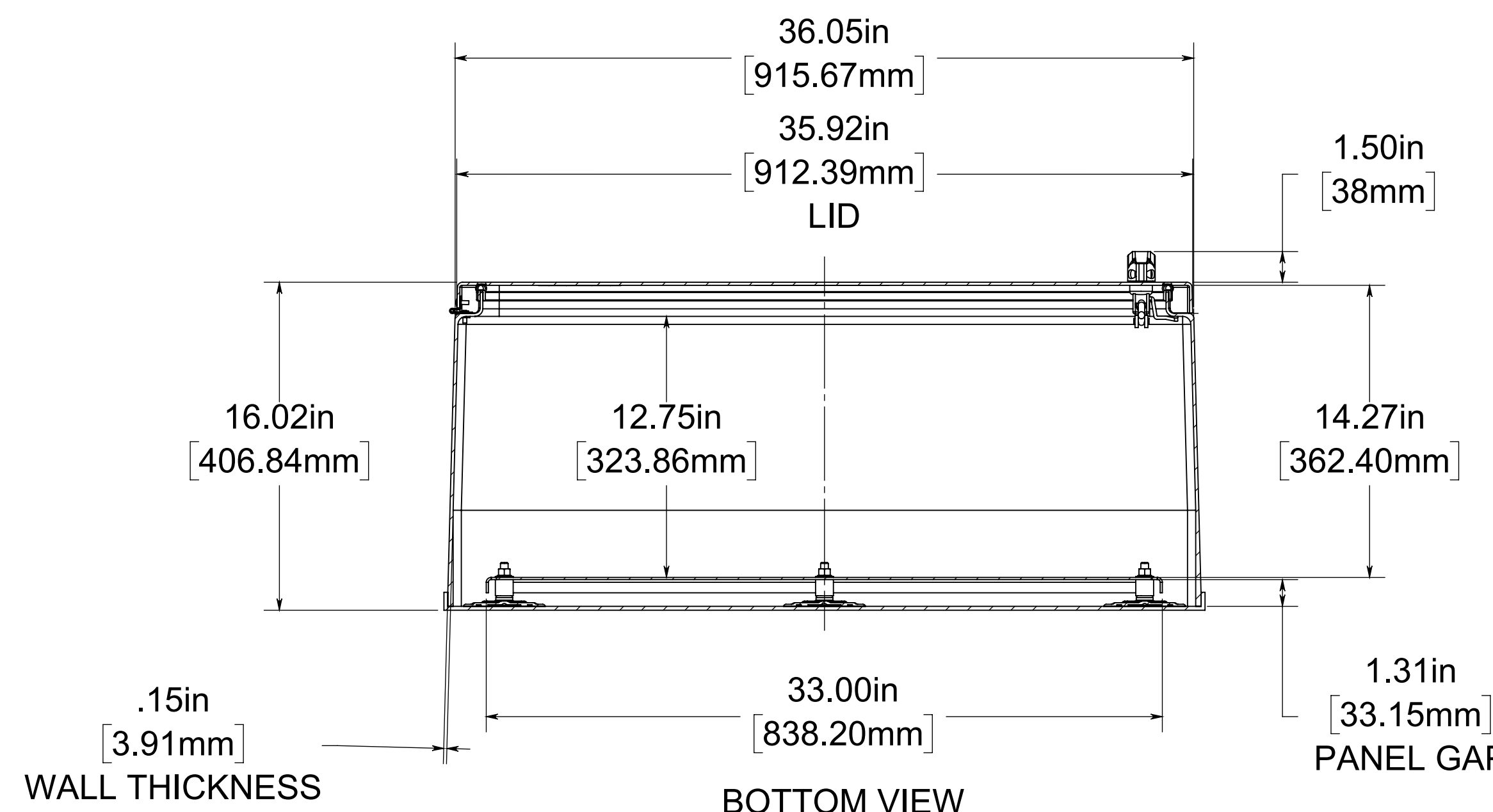
SIDE VIEW

- STANDARD PVC SPACER
- STAINLESS STEEL 3/8-16x2 THREADED ROD
- STAINLESS STEEL 3/8 INT. TEETH LOCKING WASHER
- STAINLESS STEEL 3/8 FLAT WASHER
- STAINLESS STEEL 3/8-16 HEX HEAD NUT
- ALL TYP. (8x)

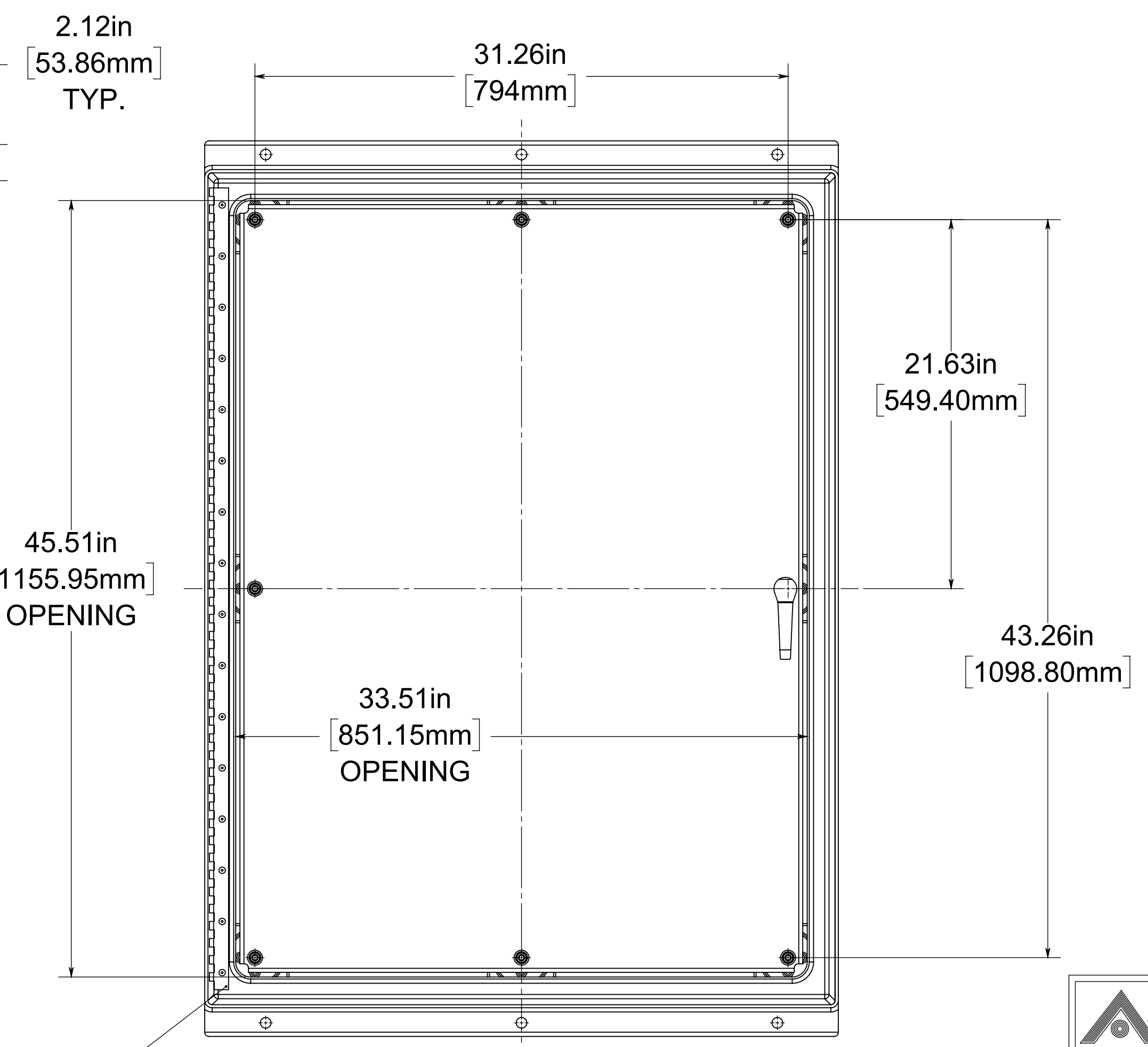
OPTIONAL PAINTED CARBON  
STEEL BACK PANEL .105 [2.7] THICK  
PART NO. P4836CS

**MATERIAL:**  
BOX- GEL-COAT, FIBERGLASS, POLYESTER RESIN  
COVER- GEL-COAT, FIBERGLASS, POLYESTER RESIN  
EPDM GASKET SEAL

**NOTE:**  
1. DATA SUBJECT TO CHANGE



BOTTOM VIEW



FRONT VIEW WITH COVER AND GASKET REMOVED

CONTINUOUS 316  
SS PIANO HINGE

**CONFIDENTIAL**  
THIS MATERIAL IS OWNED BY THE ALLIED MOULDED PRODUCTS COMPANY, IS DISCLOSED IN CONFIDENCE, AND IS NOT TO BE REPRODUCED OR DISTRIBUTED WITHOUT PRIOR WRITTEN PERMISSION FROM ALLIED MOULDED PRODUCTS.

ALLIED MOULDED PRODUCTS  
BRYAN, OHIO  
The Original Fiber Glass Outlet Box

Description  
**Empire**  
Part No.  
**AM483616L3PT**