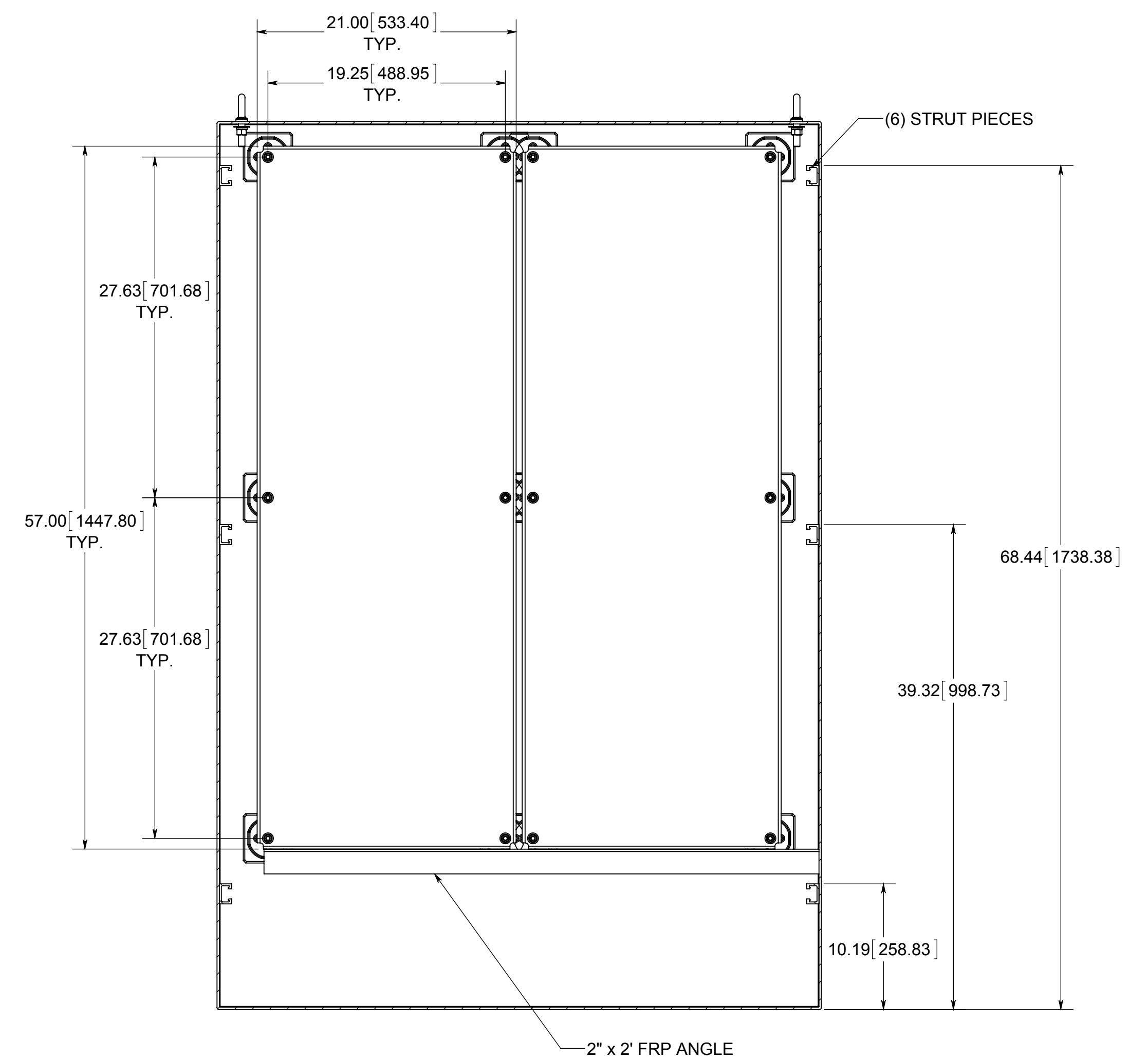


FRONT VIEW WITH DOORS AND HARDWARE REMOVED



STAINLESS STEEL
3 POINT LATCH HANDLE
(PADLOCK PROVISIONED)

MATERIAL:

BOX- GEL-COAT, FIBERGLASS, POLYESTER RESIN
COVER- GEL-COAT, FIBERGLASS, POLYESTER RESIN
EPDM GASKET SEAL

CONFIDENTIAL
THIS MATERIAL IS OWNED BY THE ALLIED
MOULDED PRODUCTS COMPANY, IS DISCLOSED
IN CONFIDENCE, AND IS NOT TO BE REPRODUCED
OR DISTRIBUTED WITHOUT PRIOR WRITTEN
PERMISSION FROM ALLIED MOULDED PRODUCTS.



Description
Empire
Part No.
AM724925FSDD