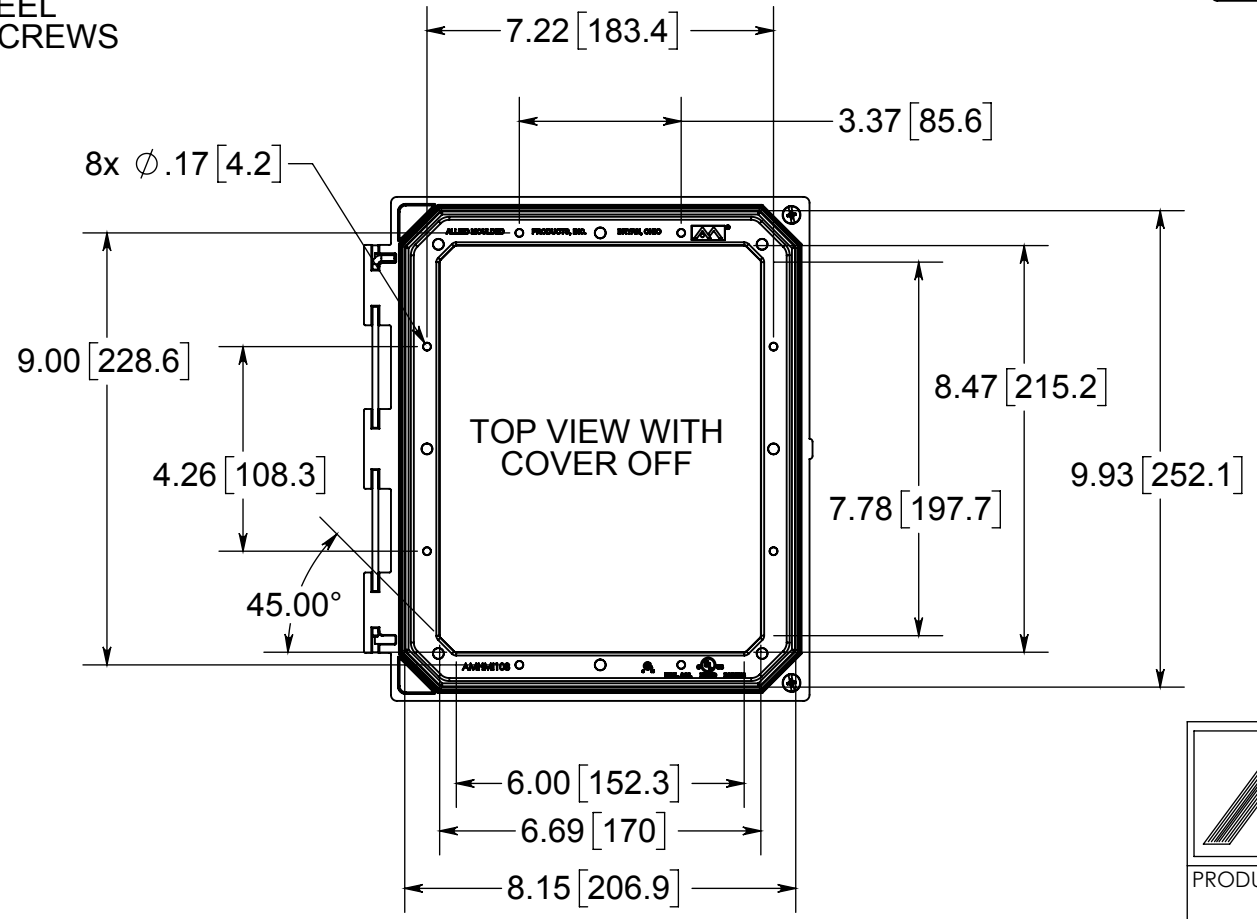
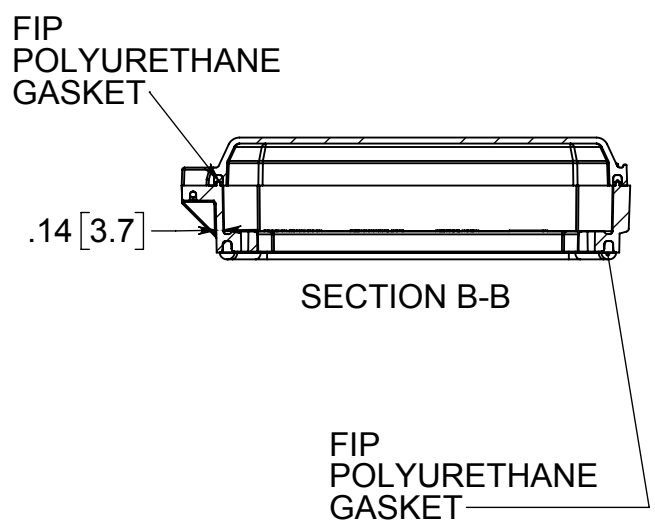


(2) EACH #10-32 BRASS INSERTS, AND 316 STAINLESS STEEL CAPTIVE COVER SCREWS WITH O-RINGS

316 STAINLESS STEEL HINGE PIN



MOUNTING HOLE PATTERN HMI108

**MATERIAL:**  
 BOX- INJECTION POLYCARBONATE  
 STANDARD COVER- INJECTION POLYCARBONATE  
 CLEAR COVER- INJECTION POLYCARBONATE

**NOTE:**  
 1. DATA SUBJECT TO CHANGE  
 2. WILL FIT ALLIED MOULDED ENCLOSURE SIZES 12X10 AND LARGER

**CONFIDENTIAL**  
 THIS MATERIAL IS OWNED BY THE ALLIED MOULDED PRODUCTS COMPANY, IS DISCLOSED IN CONFIDENCE, AND IS NOT TO BE REPRODUCED OR DISTRIBUTED WITHOUT PRIOR WRITTEN PERMISSION FROM ALLIED MOULDED PRODUCTS.



**ALLIED MOULDED PRODUCTS**  
 BRYAN, OHIO  
 The Original Fiber Glass Outlet Box

PRODUCT SERIES

**ACCESS-INDUS**

Part No.

**AMHMI108CCH**