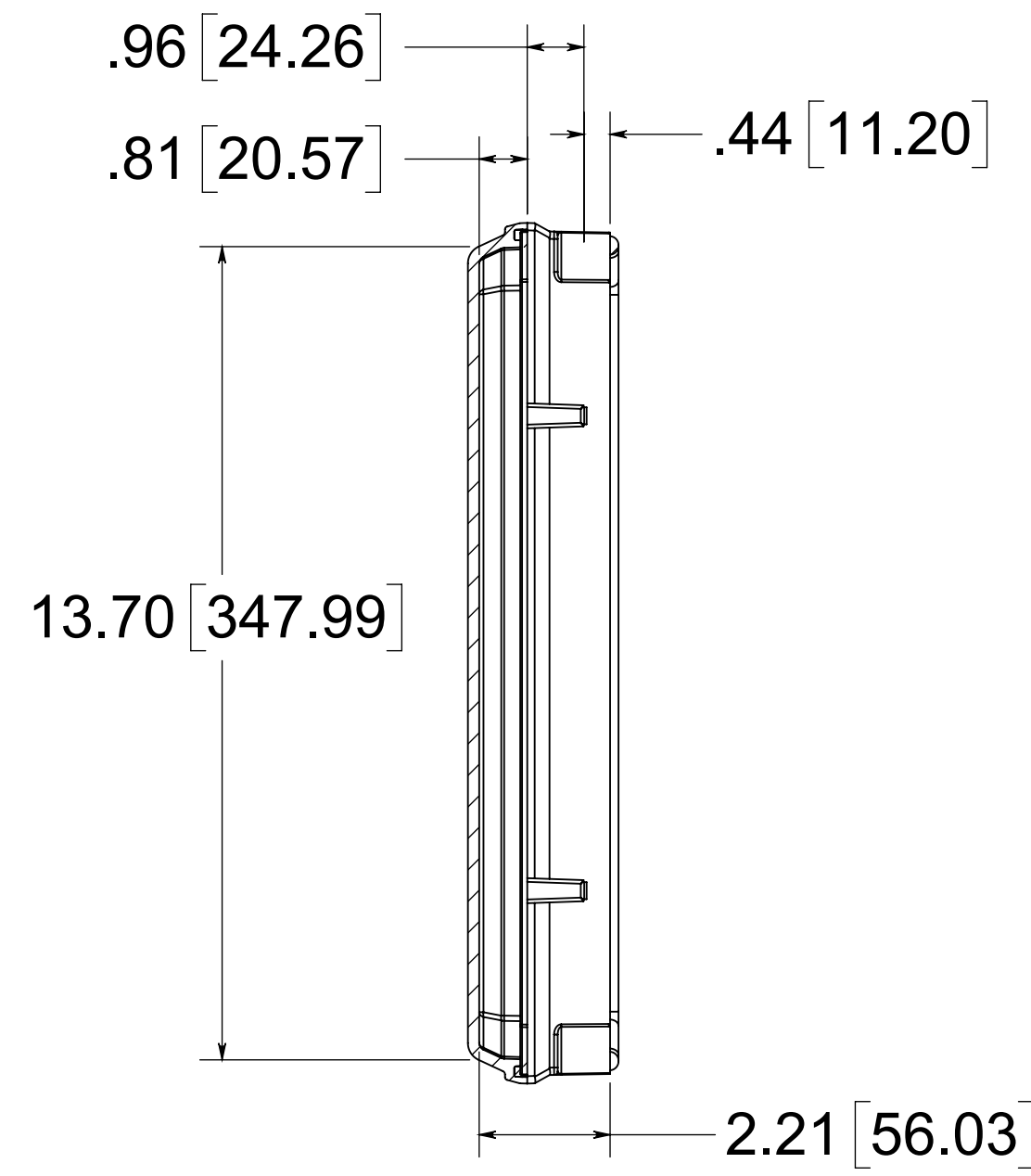
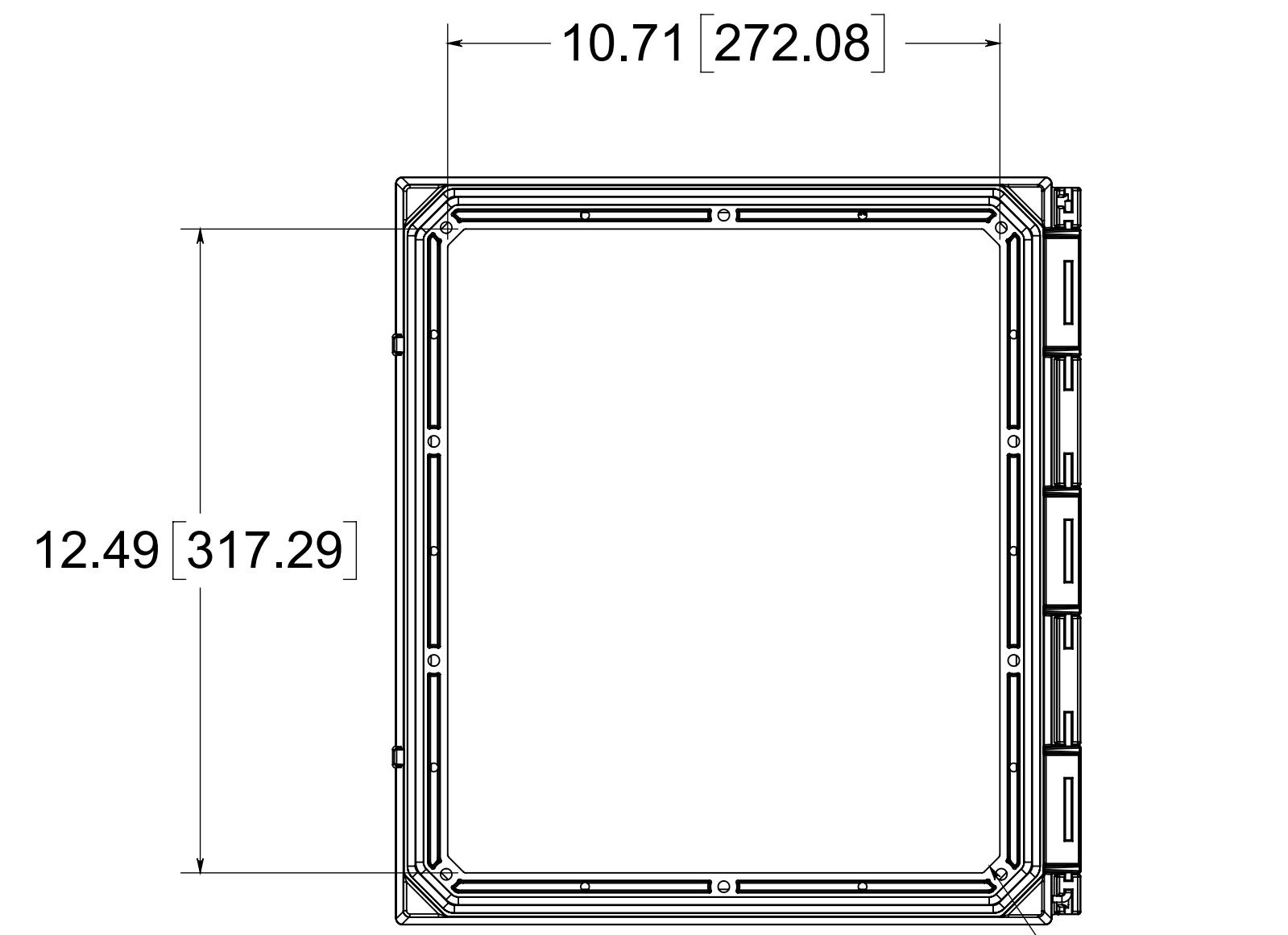


316 STAINLESS STEEL HINGE PIN

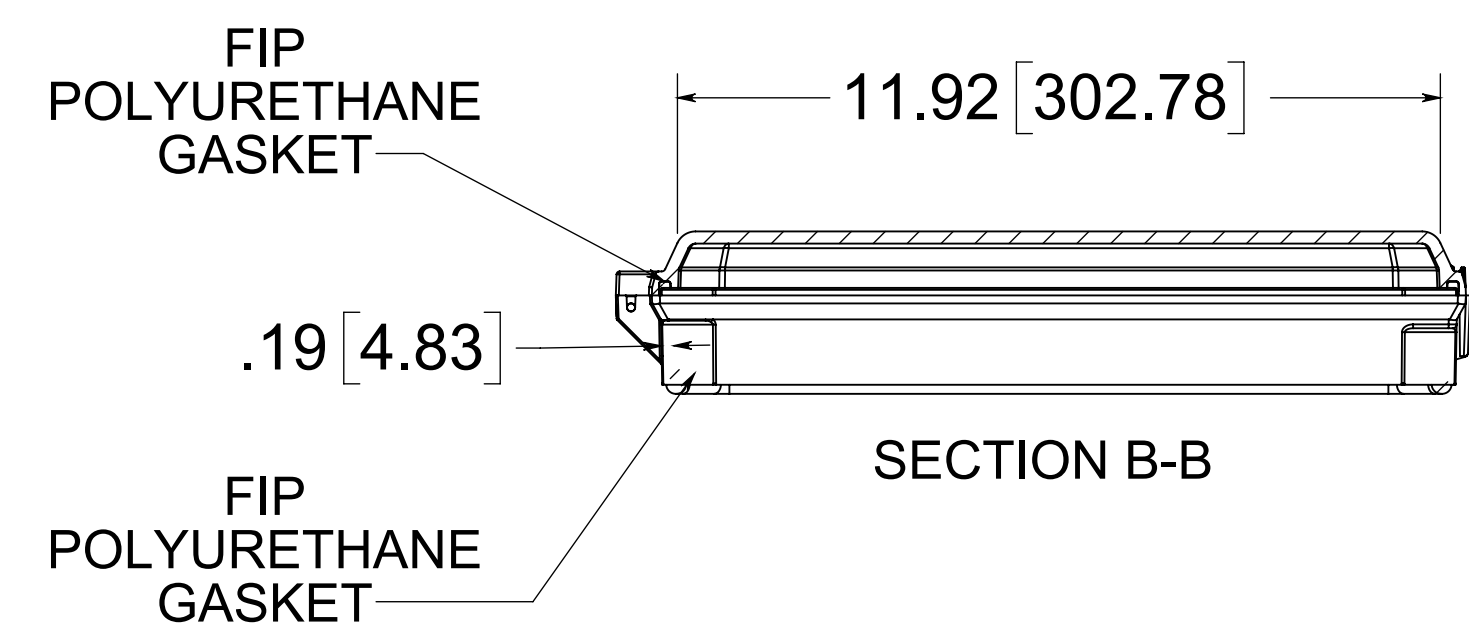


SECTION A-A



OPENING SIZE HMI142

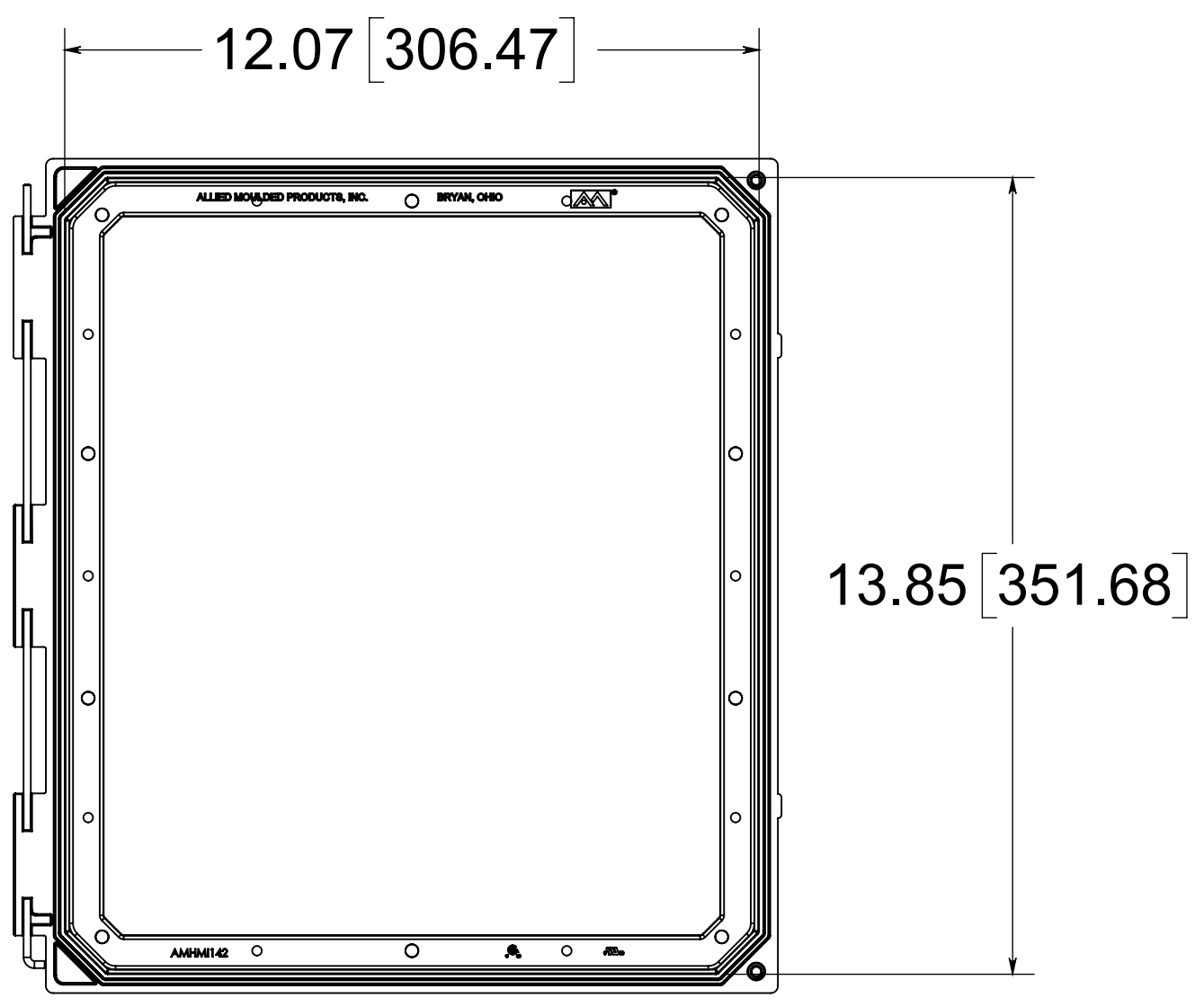
(2) EACH #10-32 BRASS INSERTS, AND 316 STAINLESS STEEL CAPTIVE COVER SCREWS WITH RETAINING O-RING



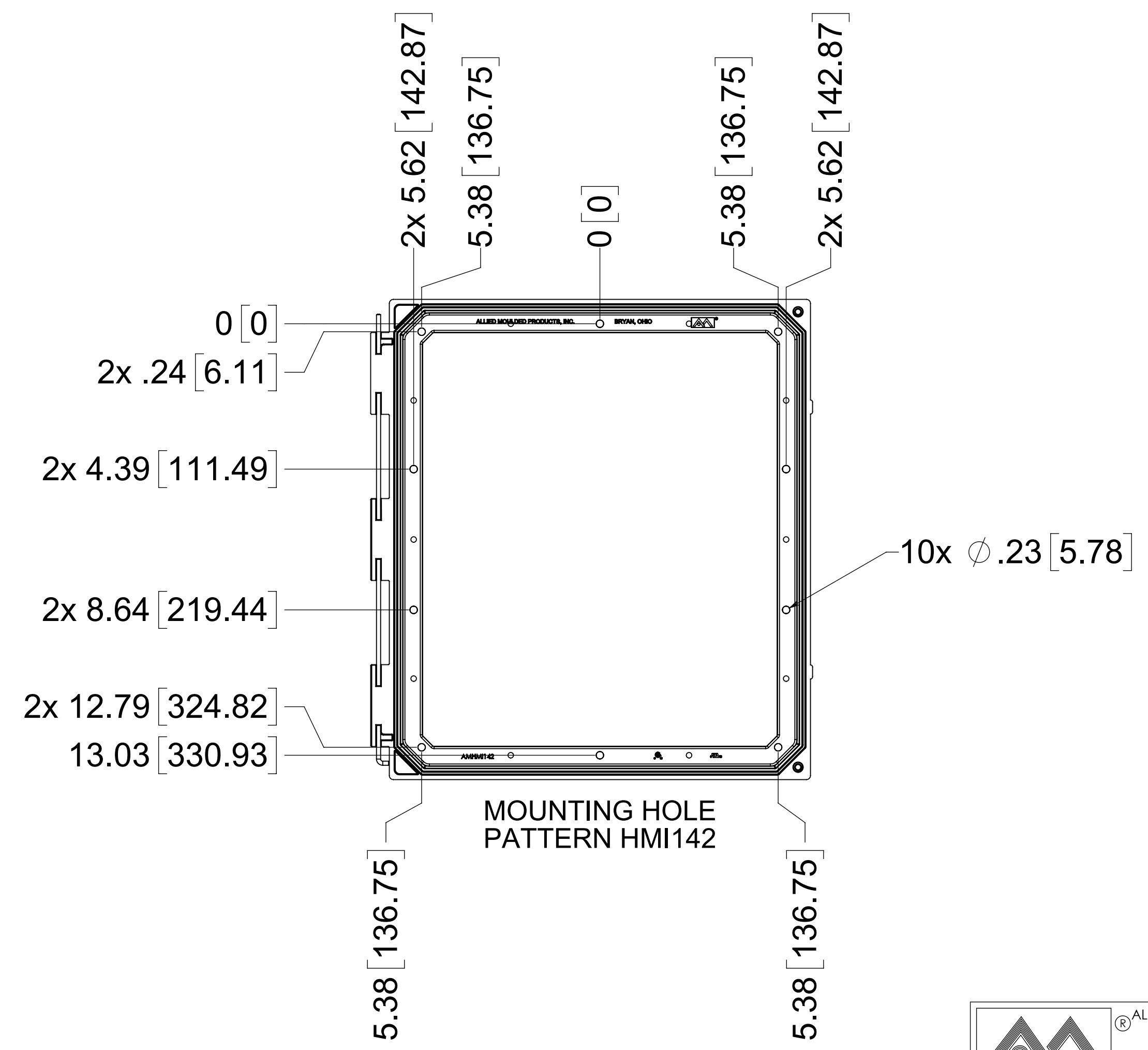
SECTION B-B

FIP POLYURETHANE GASKET

FIP POLYURETHANE GASKET



FRONT VIEW WITH COVER REMOVED



MOUNTING HOLE PATTERN HMI142

MATERIAL:
 BOX- INJECTION POLYCARBONATE
 STANDARD COVER- INJECTED POLYCARBONATE
 CLEAR COVER- INJECTED POLYCARBONATE

NOTE:
 1. DATA SUBJECT TO CHANGE
 2. WILL FIT ALLIED MOULDED ENCLOSURE SIZES 16X14 AND LARGER

CONFIDENTIAL
 THIS MATERIAL IS OWNED BY THE ALLIED MOULDED PRODUCTS COMPANY, IS DISCLOSED IN CONFIDENCE, AND IS NOT TO BE REPRODUCED OR DISTRIBUTED WITHOUT PRIOR WRITTEN PERMISSION FROM ALLIED MOULDED PRODUCTS.

ALLIED MOULDED PRODUCTS
 BRYAN, OHIO
 The Original Fiber Glass Outlet Box

Description
Access-Indus
 Part No.
AMHMI142H