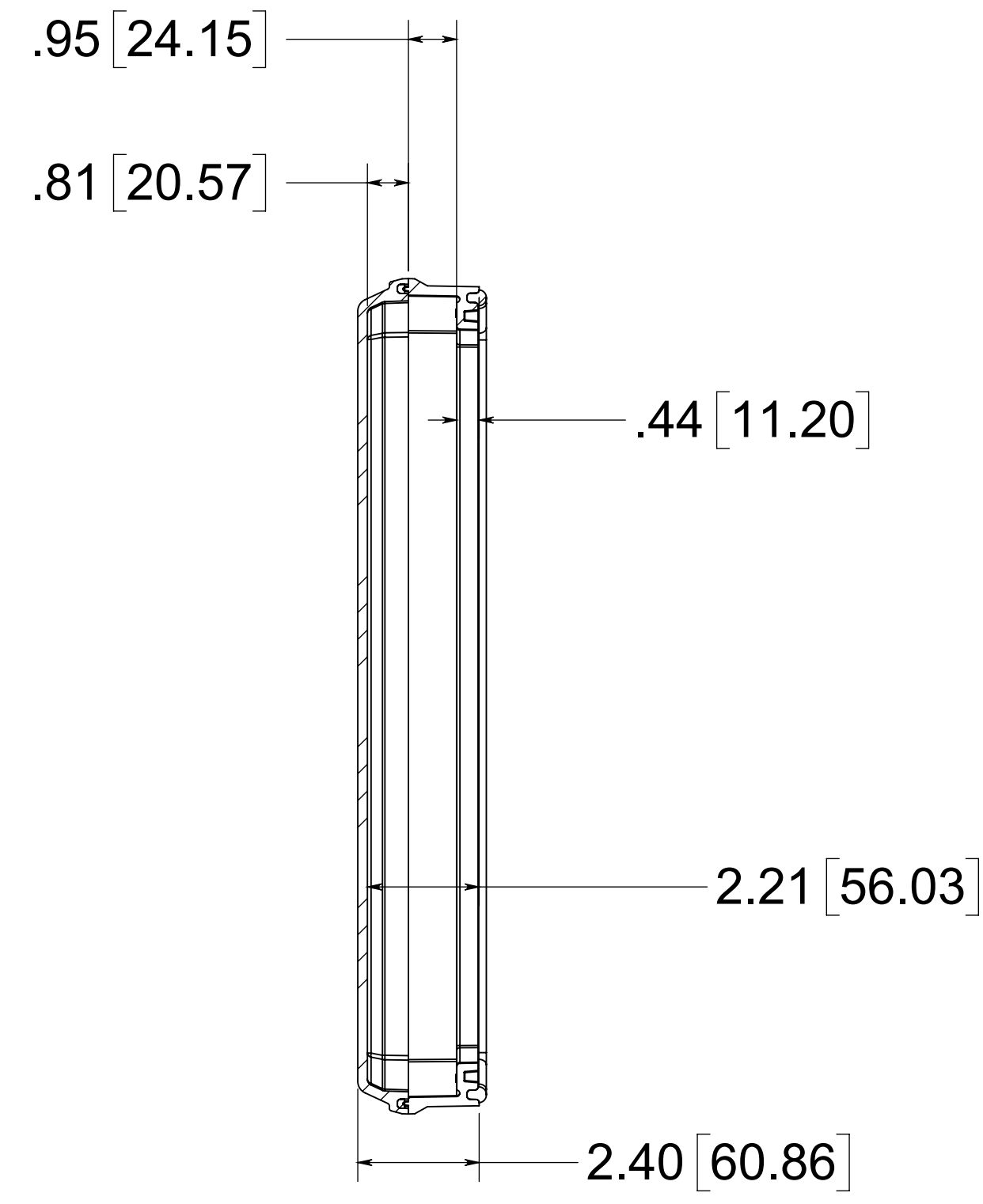
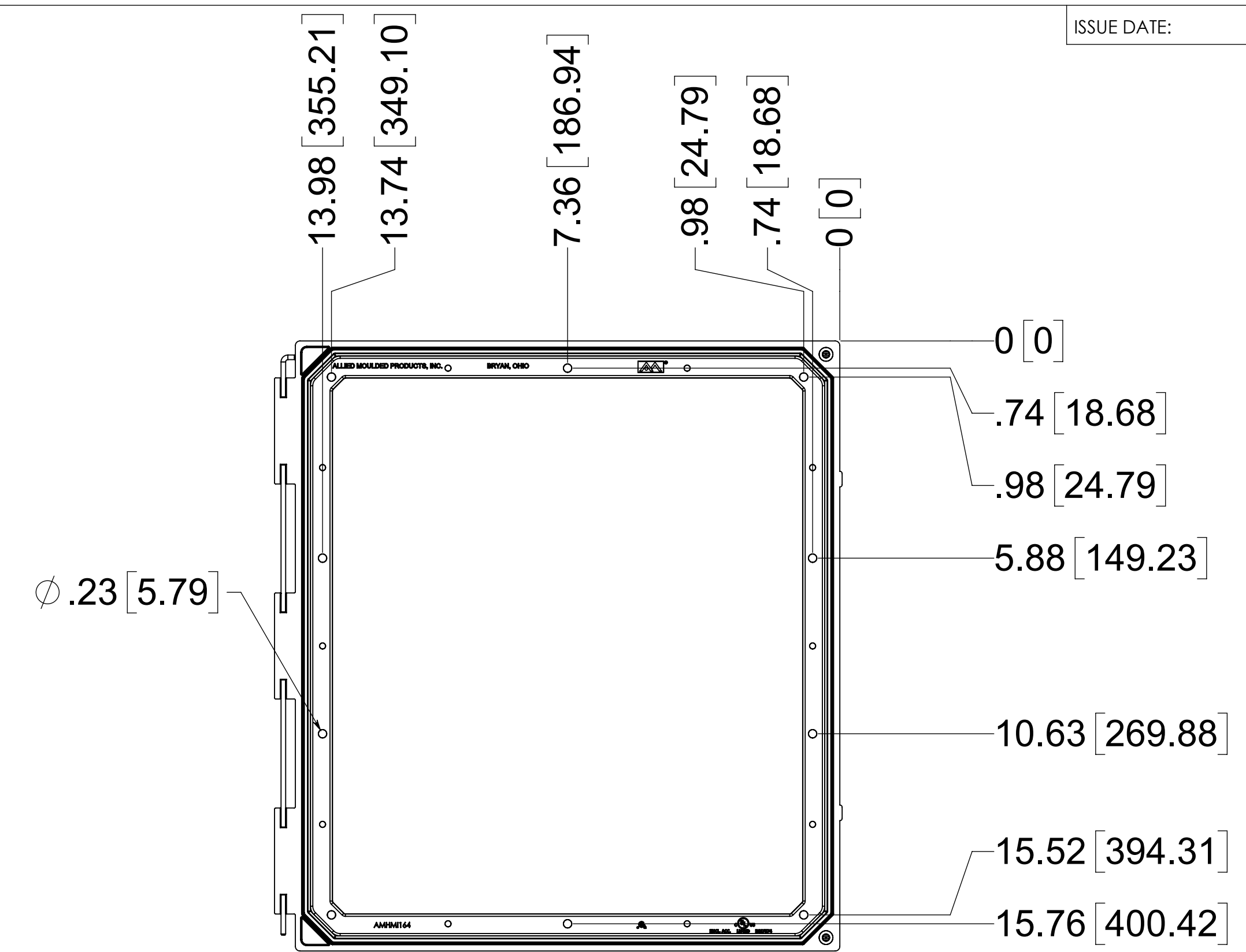


316 STAINLESS STEEL HINGE PIN

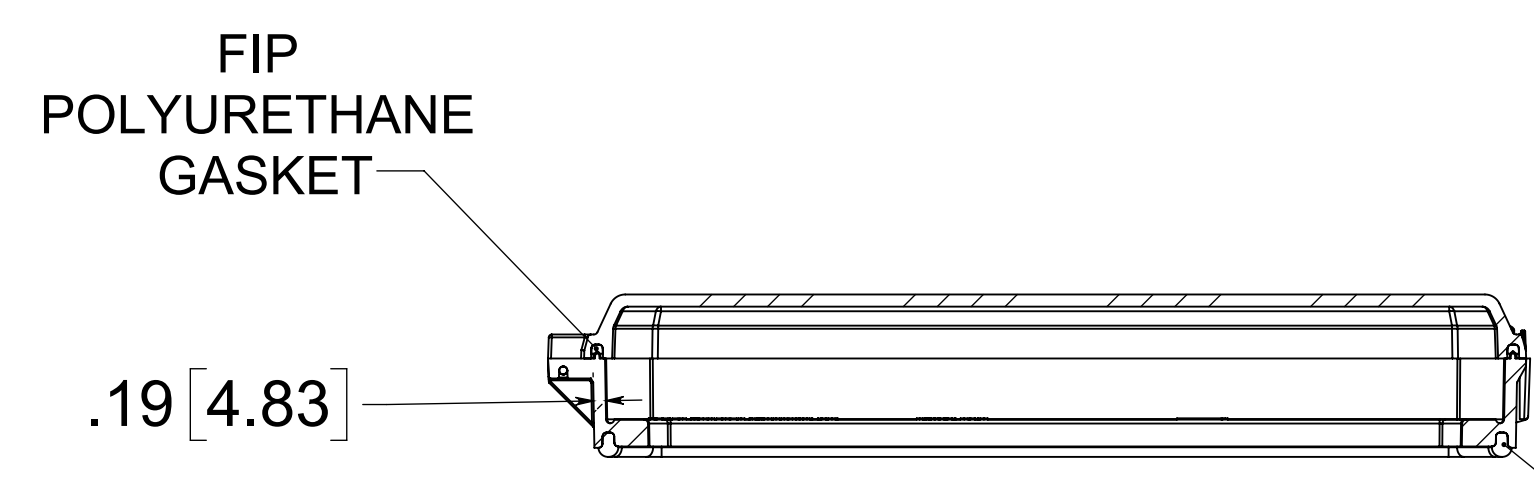
(2) EACH #10-32 BRASS INSERTS, AND 316 STAINLESS STEEL CAPTIVE COVER TAMPER PROOF SCREWS WITH RETAINING O-RINGS



SECTION A-A

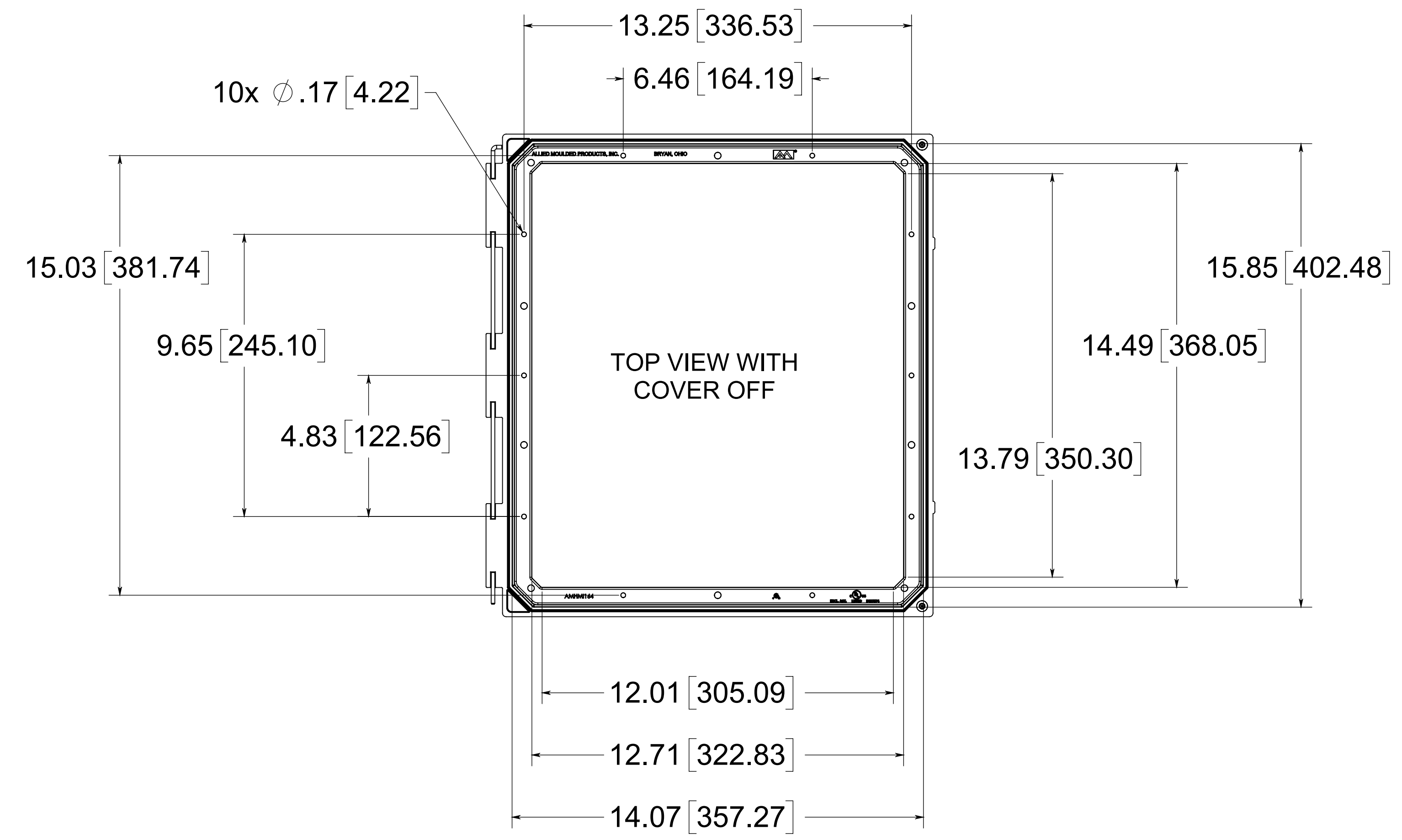


MOUNTING HOLES PATTERN HMI164



SECTION B-B

FIP POLYURETHANE GASKET

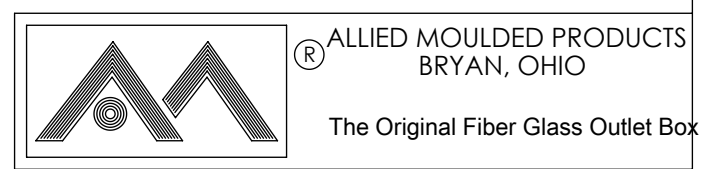


TOP VIEW WITH COVER OFF

MATERIAL:
 BOX-INJECTION POLYCARBONATE
 STANDARD COVER- INJECTION POLYCARBONATE
 CLEAR COVER- INJECTION POLYCARBONATE

NOTE:
 1. DATA SUBJECT TO CHANGE
 2. WILL FIT ALLIED MOULDED ENCLOSURE SIZES 18X16 AND LARGER

CONFIDENTIAL
 THIS MATERIAL IS OWNED BY THE ALLIED MOULDED PRODUCTS COMPANY, IS DISCLOSED IN CONFIDENCE, AND IS NOT TO BE REPRODUCED OR DISTRIBUTED WITHOUT PRIOR WRITTEN PERMISSION FROM ALLIED MOULDED PRODUCTS.



Access-Indus
 Part No. -AMHMI164CCHTP