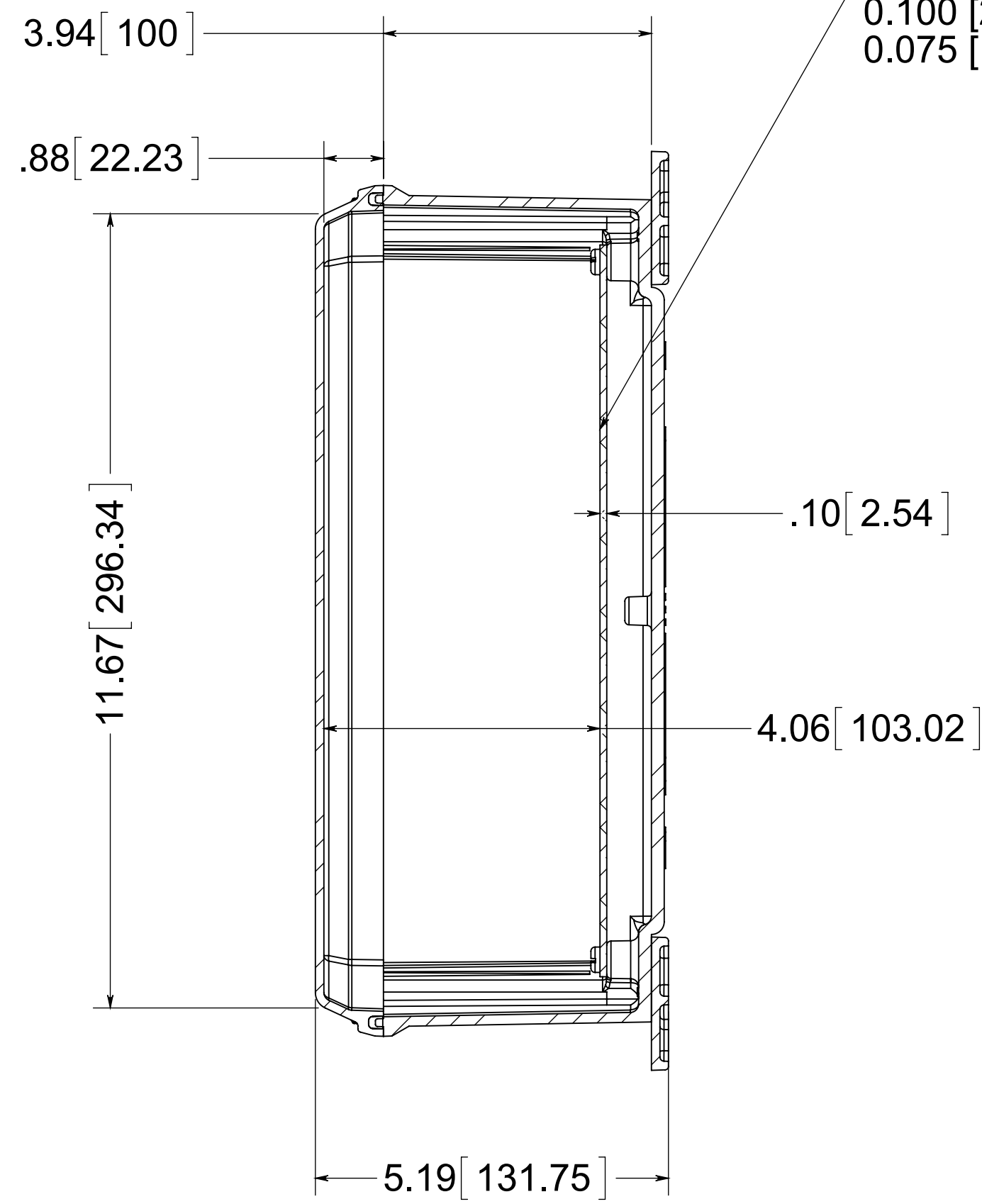
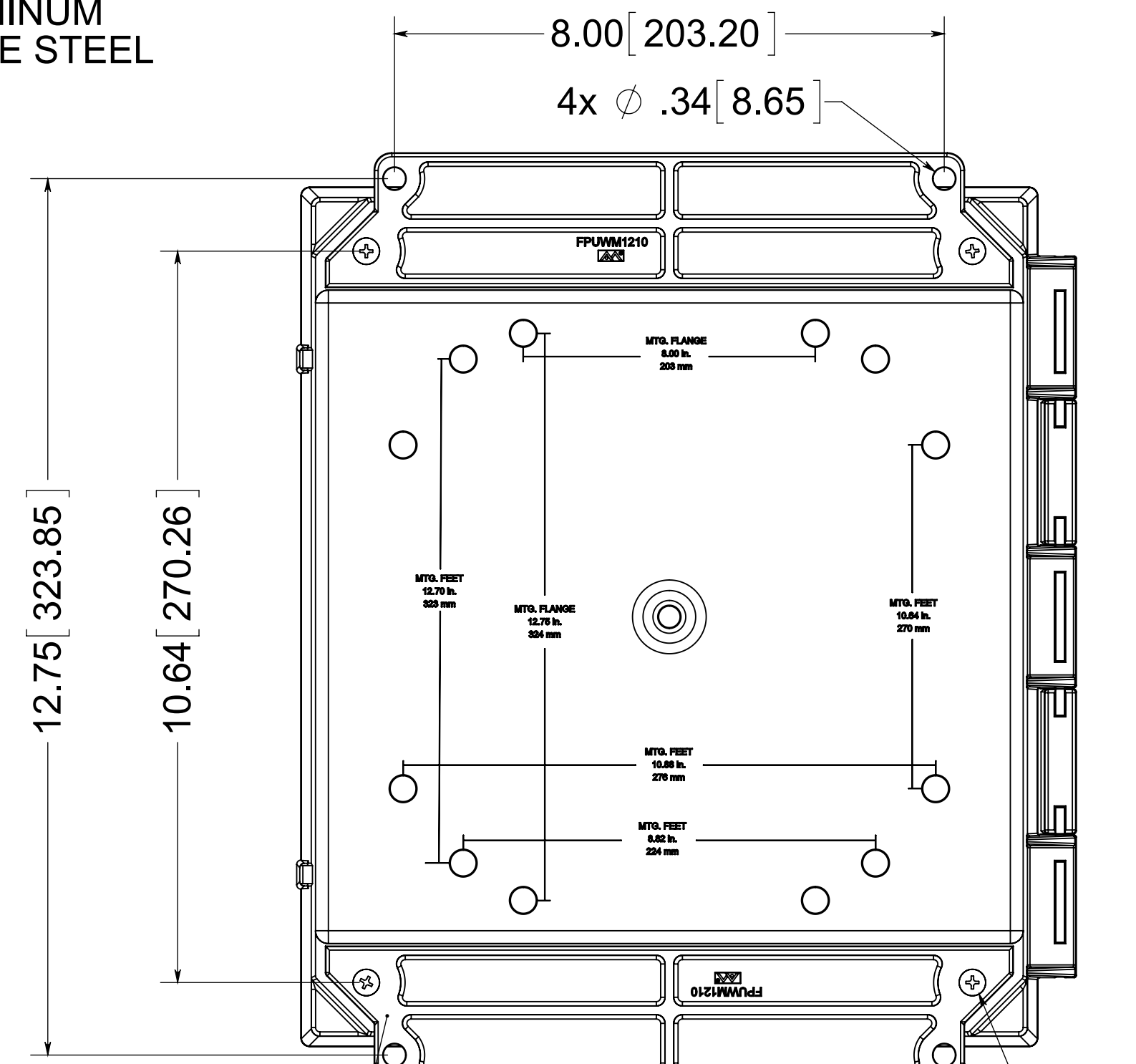


(4) EACH #10-32 BRASS INSERTS, AND 316 STAINLESS STEEL CAPTIVE COVER SCREWS WITH RETAINING O-RING

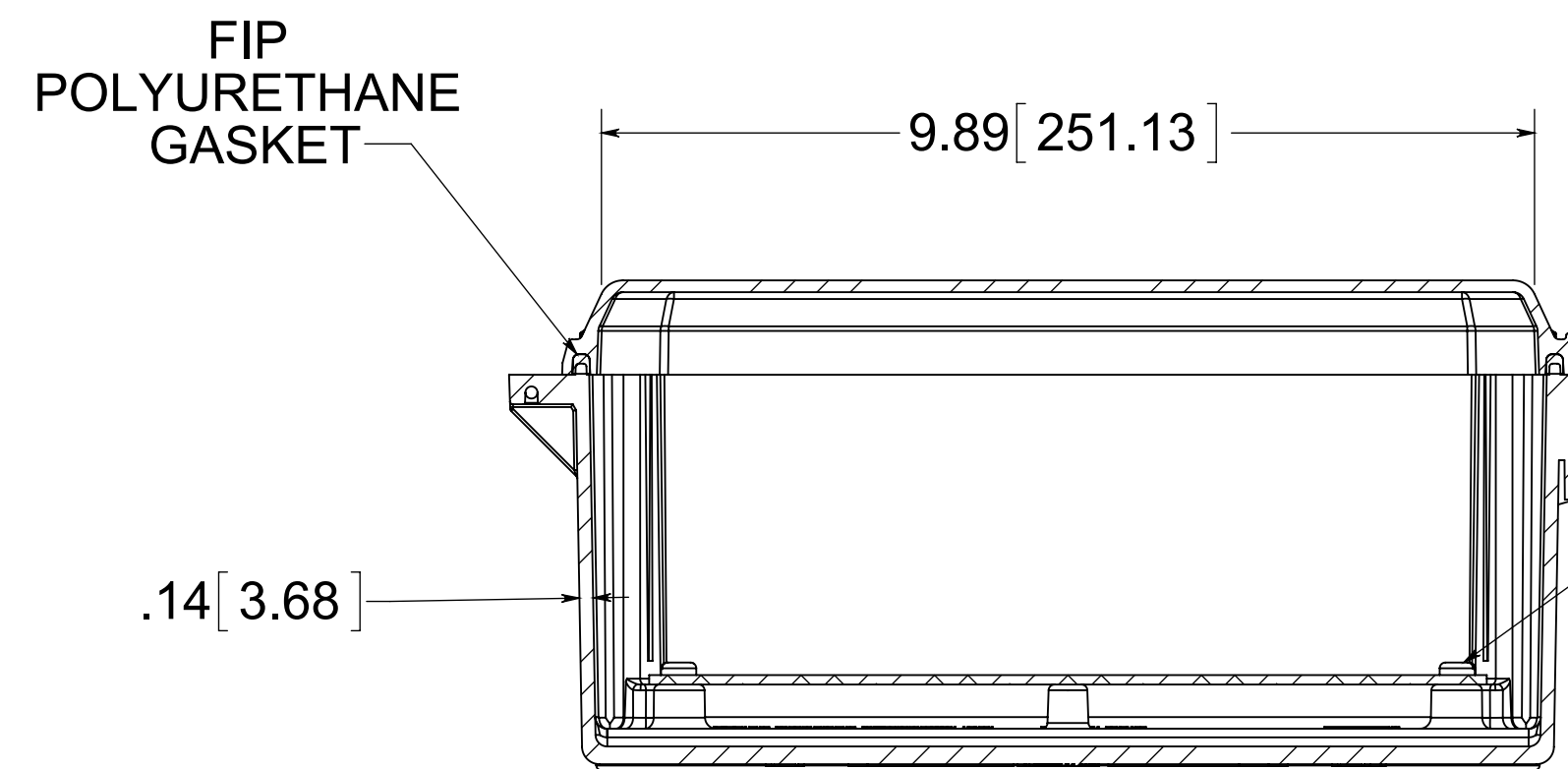


OPTIONAL BACK PANEL SHOWN  
0.100 [2.54mm] TH'K ALUMINUM  
0.075 [1.91mm] TH'K WHITE STEEL

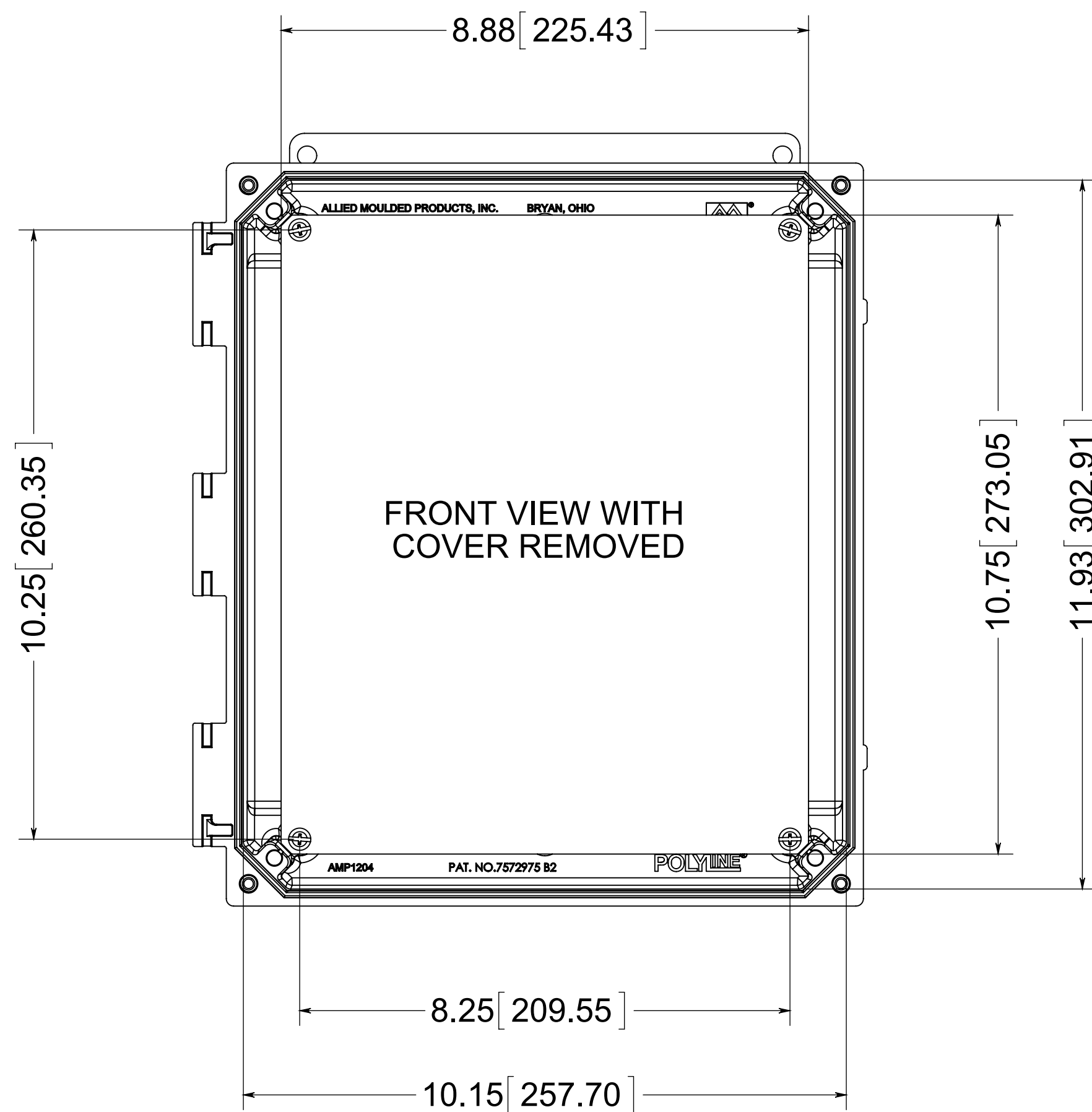


(2) POLYCARBONATE FLANGES (GLUED)

(4) EACH #10-32 BRASS INSERTS, AND 316 STAINLESS STEEL FLANGE AND FEET SCREWS

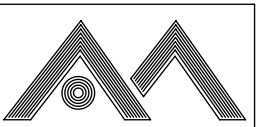


(4) EACH #10-32 BRASS INSERTS AND PLATED CARBON STEEL TRUSS SCREWS



MATERIAL:  
BOX - INJECTED POLYCARBONATE  
STANDARD COVER - INJECTED POLYCARBONATE  
CLEAR COVER - INJECTED POLYCARBONATE

CONFIDENTIAL  
THIS MATERIAL IS OWNED BY THE ALLIED MOULDED PRODUCTS COMPANY, IS DISCLOSED IN CONFIDENCE, AND IS NOT TO BE REPRODUCED OR DISTRIBUTED WITHOUT PRIOR WRITTEN PERMISSION FROM ALLIED MOULDED PRODUCTS.


 ALLIED MOULDED PRODUCTS  
 BRYAN, OHIO  
 The Original Fiber Glass Outlet Box  
 Description  
**AMP Polyline**  
 Part No.  
**AMP1204CCF**