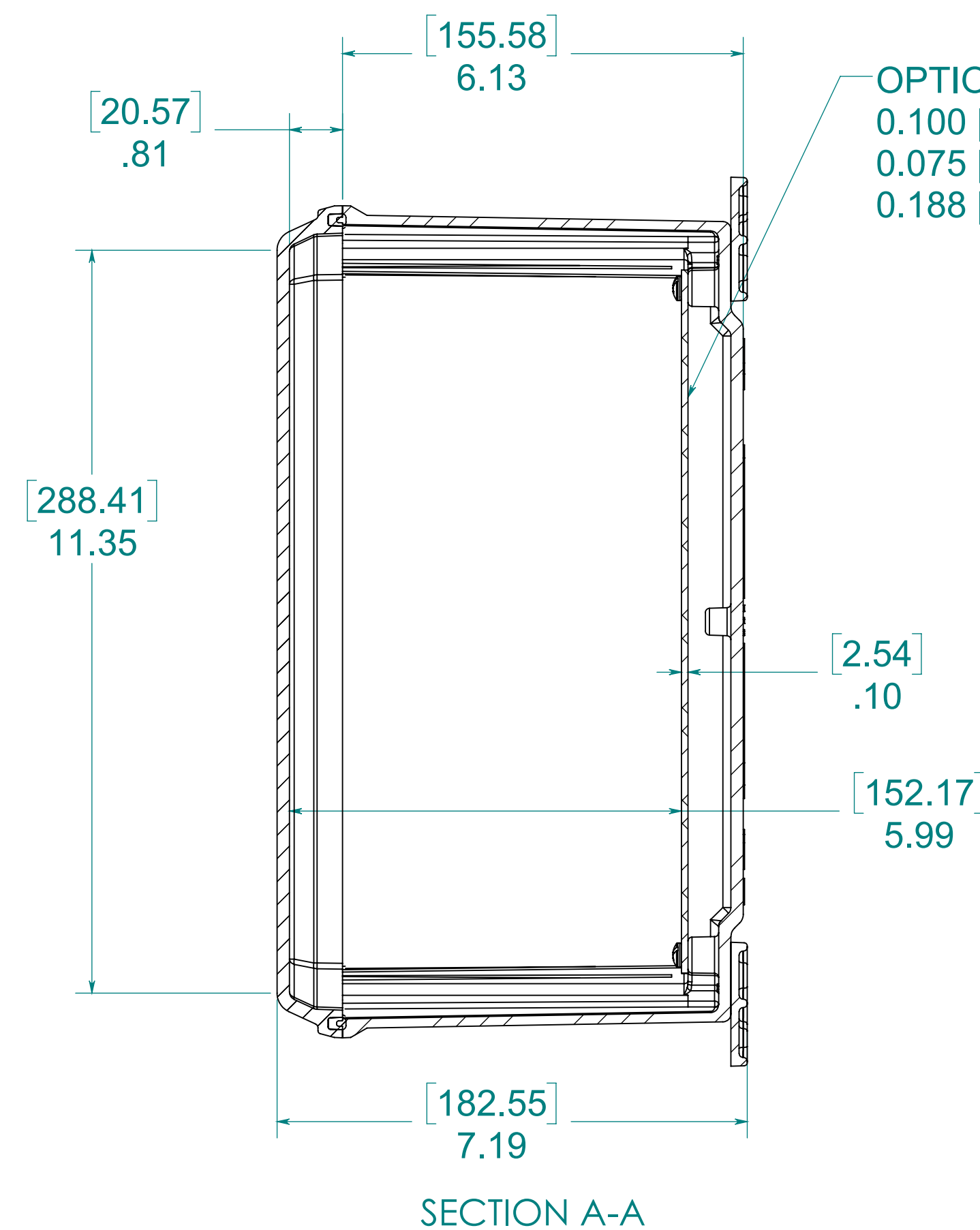
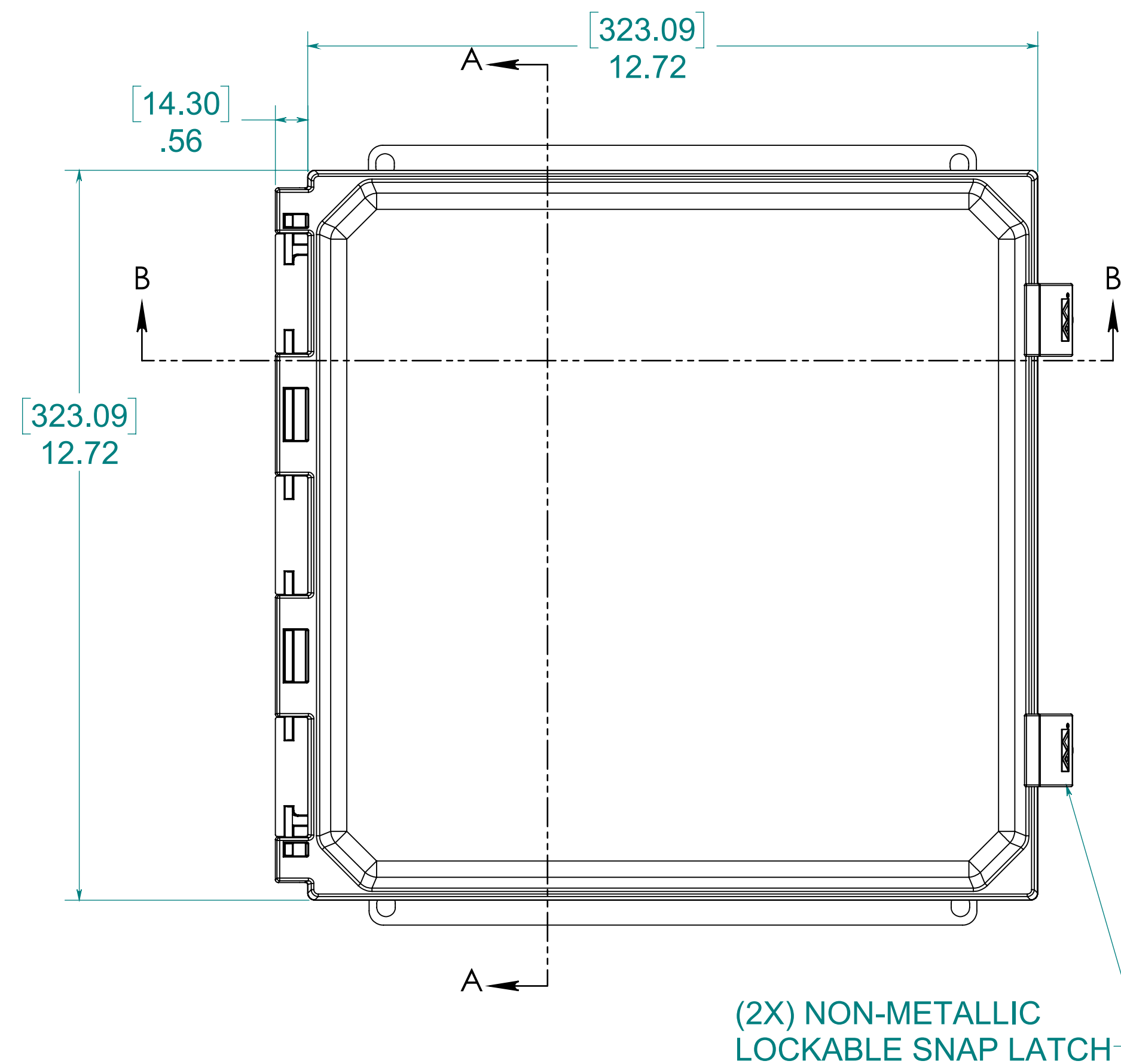


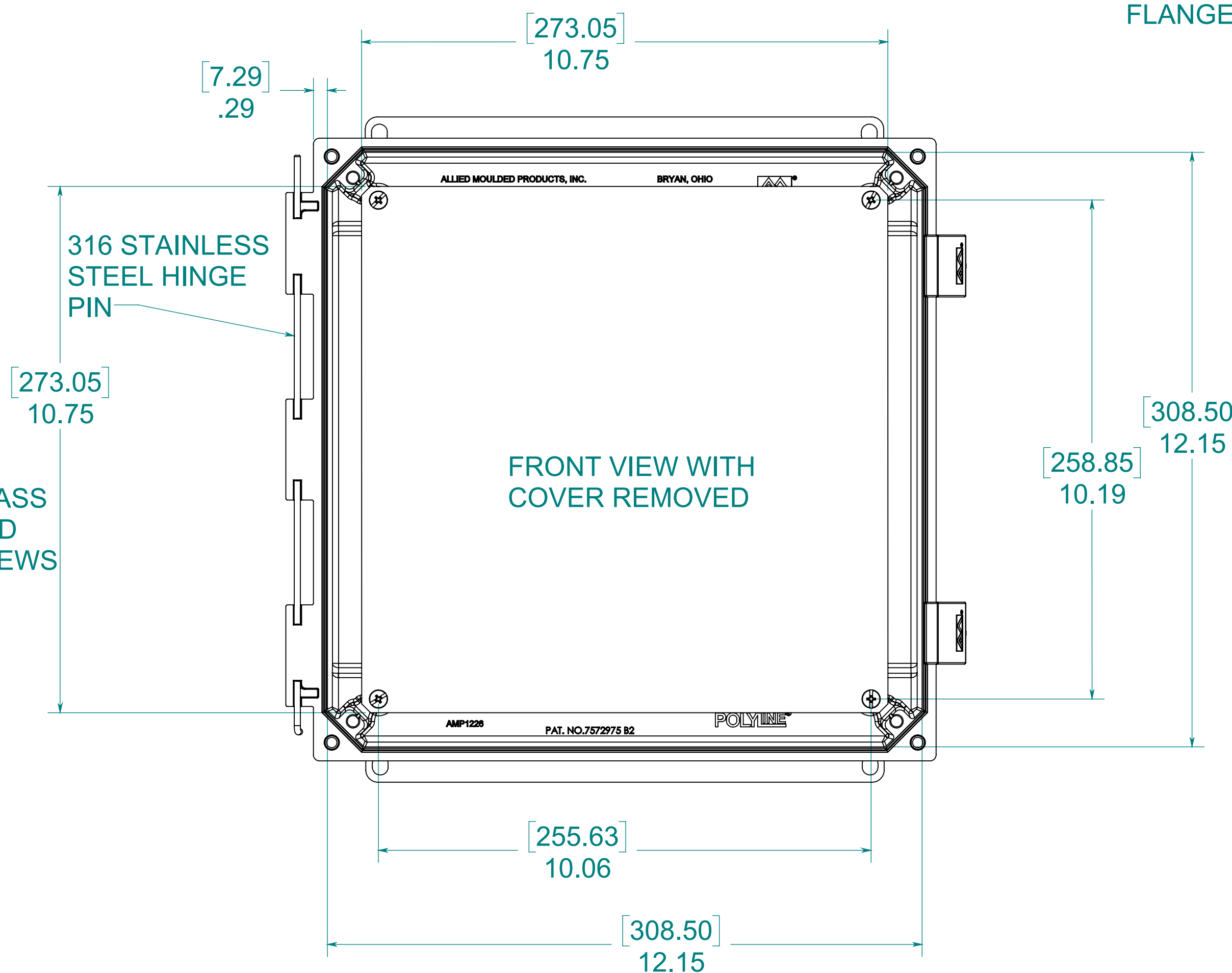
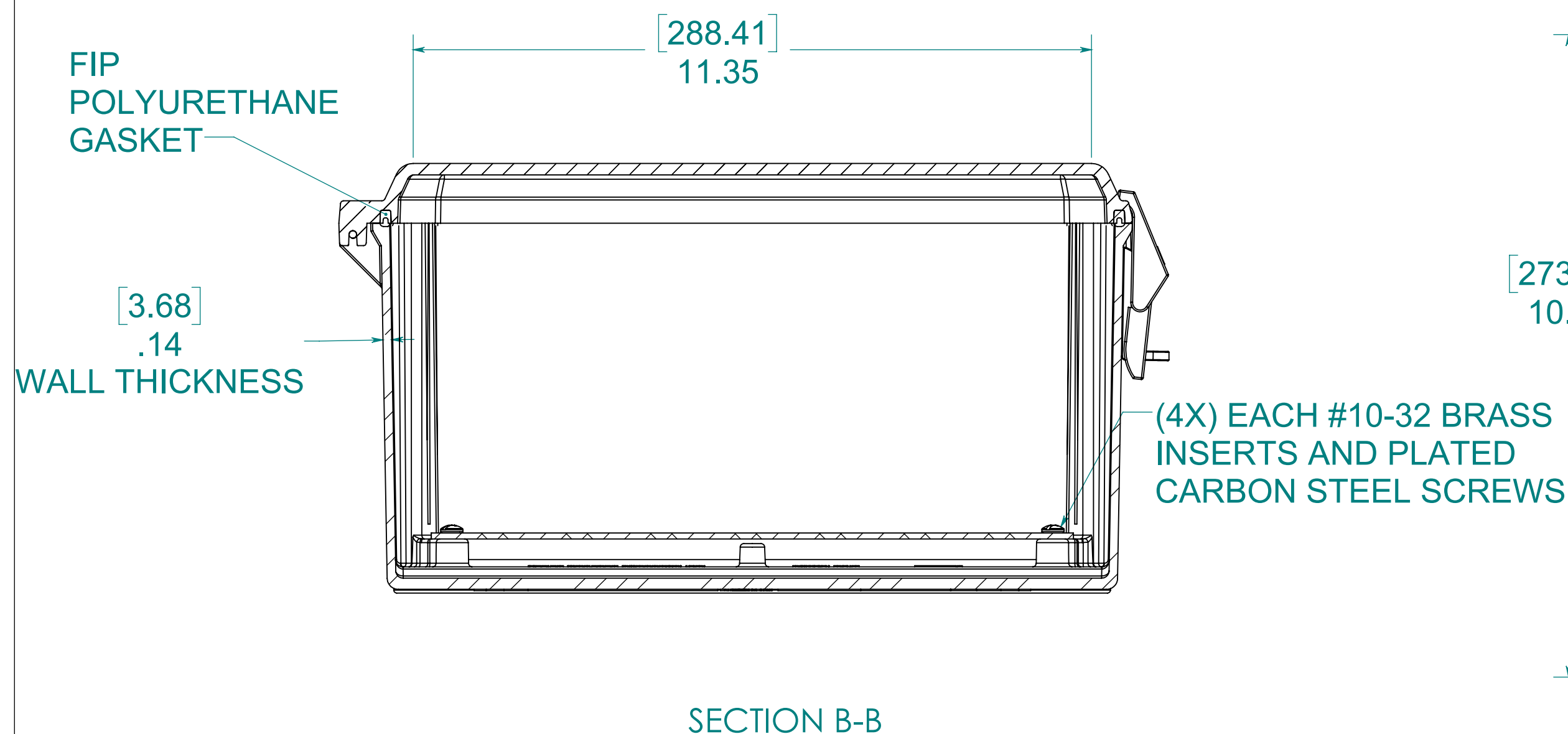
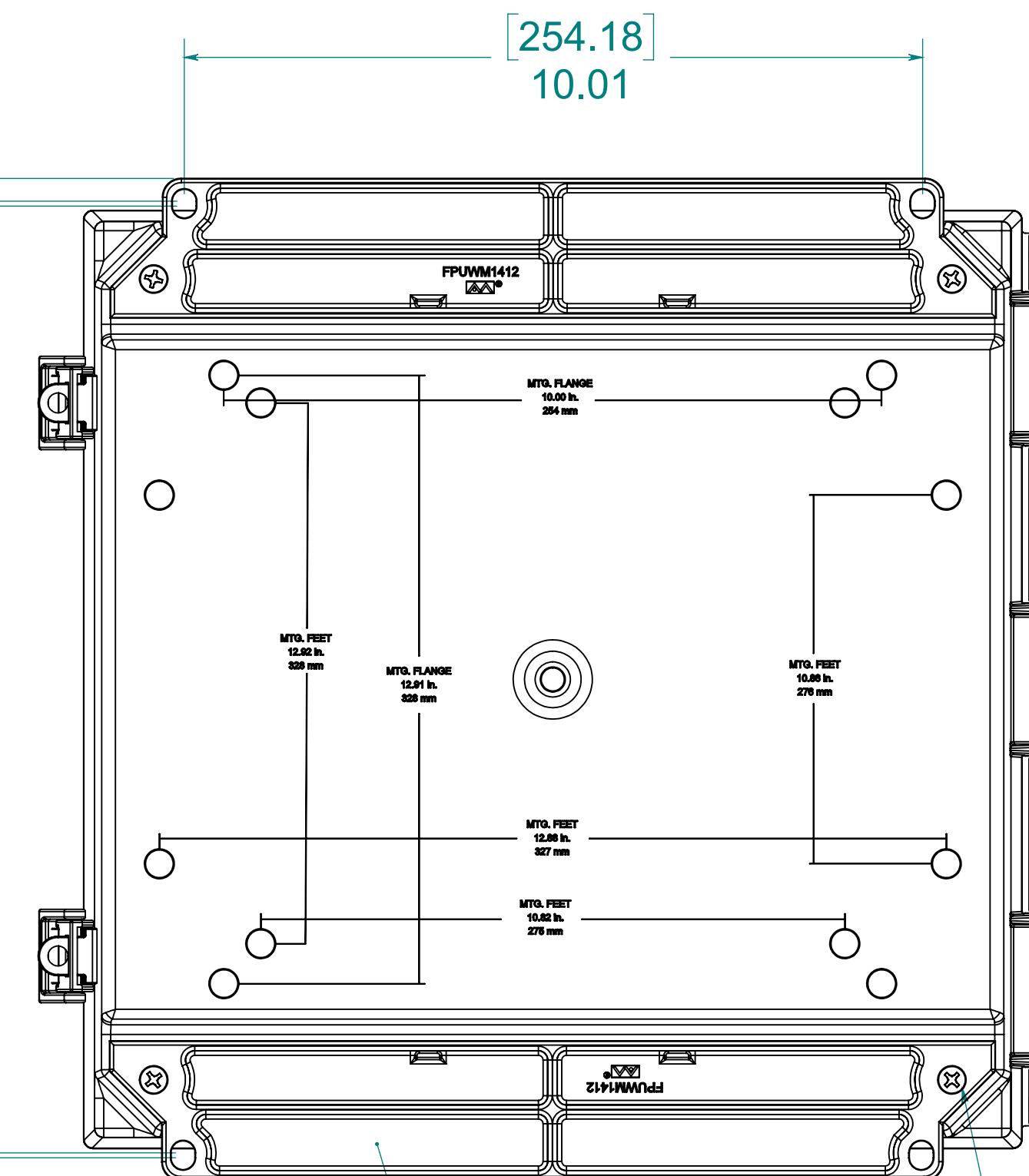
Date	Rev	Description	ECN No.	ISSUE DATE	DB	CK	REL
07/25/2019		INITIAL RELEASE	ECN-302		DJL	LJS	GEL
-	-	-	-	-	-	-	-
-	-	-	-	-	-	-	-



OPTIONAL BACK PANEL SHOWN  
 0.100 [2.54mm] TH'K- ALUMINUM  
 0.075 [1.91mm] TH'K- WHITE STEEL  
 0.188 [4.78mm] TH'K- PVC

329.44  
 12.97  
 MAX SLOT DISTANCE

326.14  
 12.84  
 MIN SLOT DISTANCE



MATERIAL:  
 BOX- INJECTED POLYCARBONATE  
 STANDARD COVER- INJECTED POLYCARBONATE  
 CLEAR COVER- INJECTED POLYCARBONATE

NOTE:  
 1. DATA SUBJECT TO CHANGE WITHOUT NOTICE



CONFIDENTIAL  
 THIS MATERIAL IS OWNED BY THE ALLIED MOULDED PRODUCTS COMPANY, IS DISCLOSED IN CONFIDENCE, AND IS NOT TO BE REPRODUCED OR DISTRIBUTED WITHOUT PRIOR WRITTEN PERMISSION FROM ALLIED MOULDED PRODUCTS.  
 © 2018 Allied Moulded Products, Inc. All Rights Reserved

Description  
**AMP Polyline**  
 Part No.  
**AMP1226NLF**