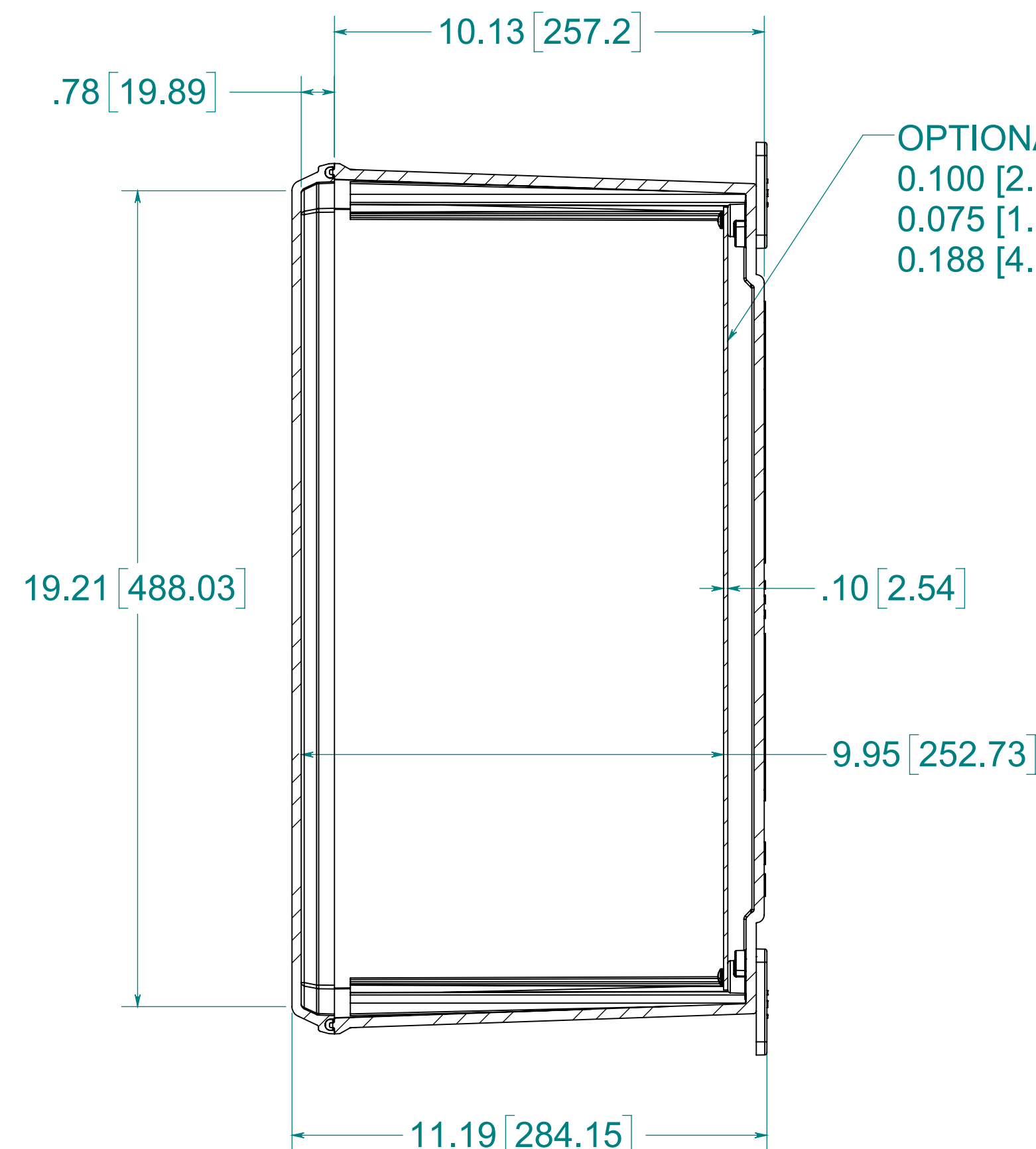
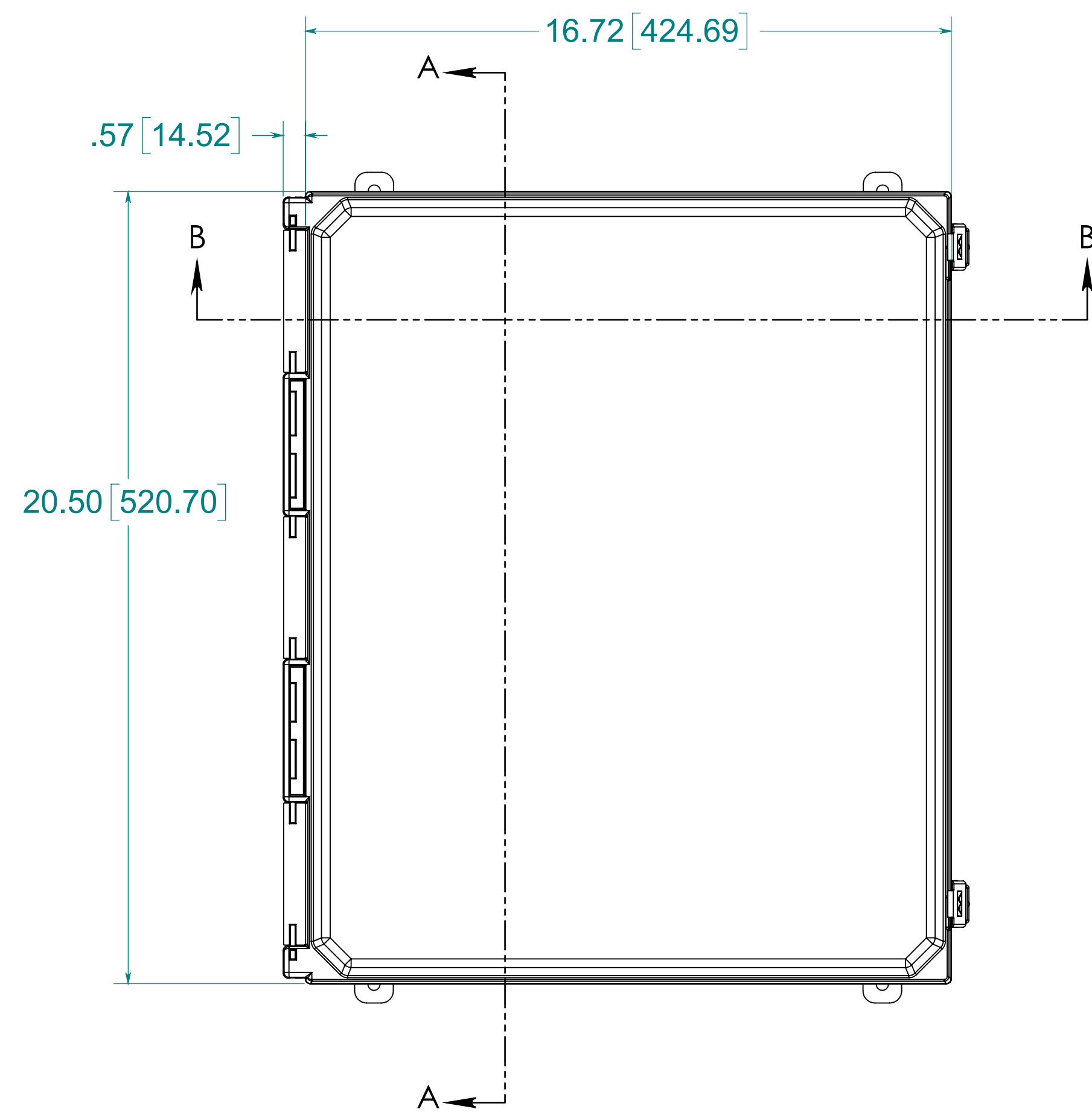
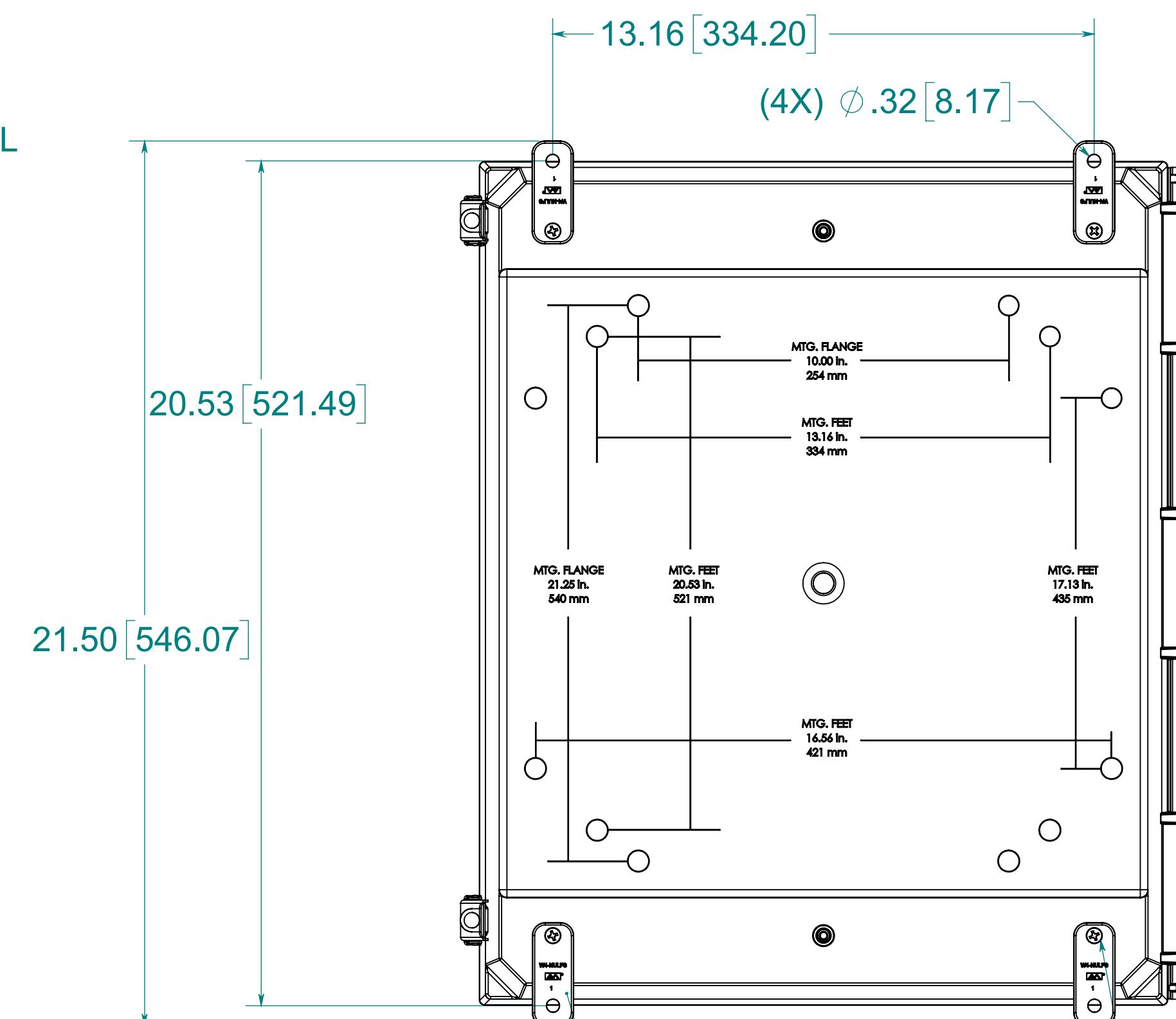


| Date       | Rev | Description     | ECN No. | ISSUE DATE | DR  | CK  | REL |
|------------|-----|-----------------|---------|------------|-----|-----|-----|
| 08/02/2019 |     | INITIAL RELEASE | ECN-314 |            | DJL | SRH | GEL |
| -          | -   | -               | -       | -          | -   | -   | -   |
| -          | -   | -               | -       | -          | -   | -   | -   |

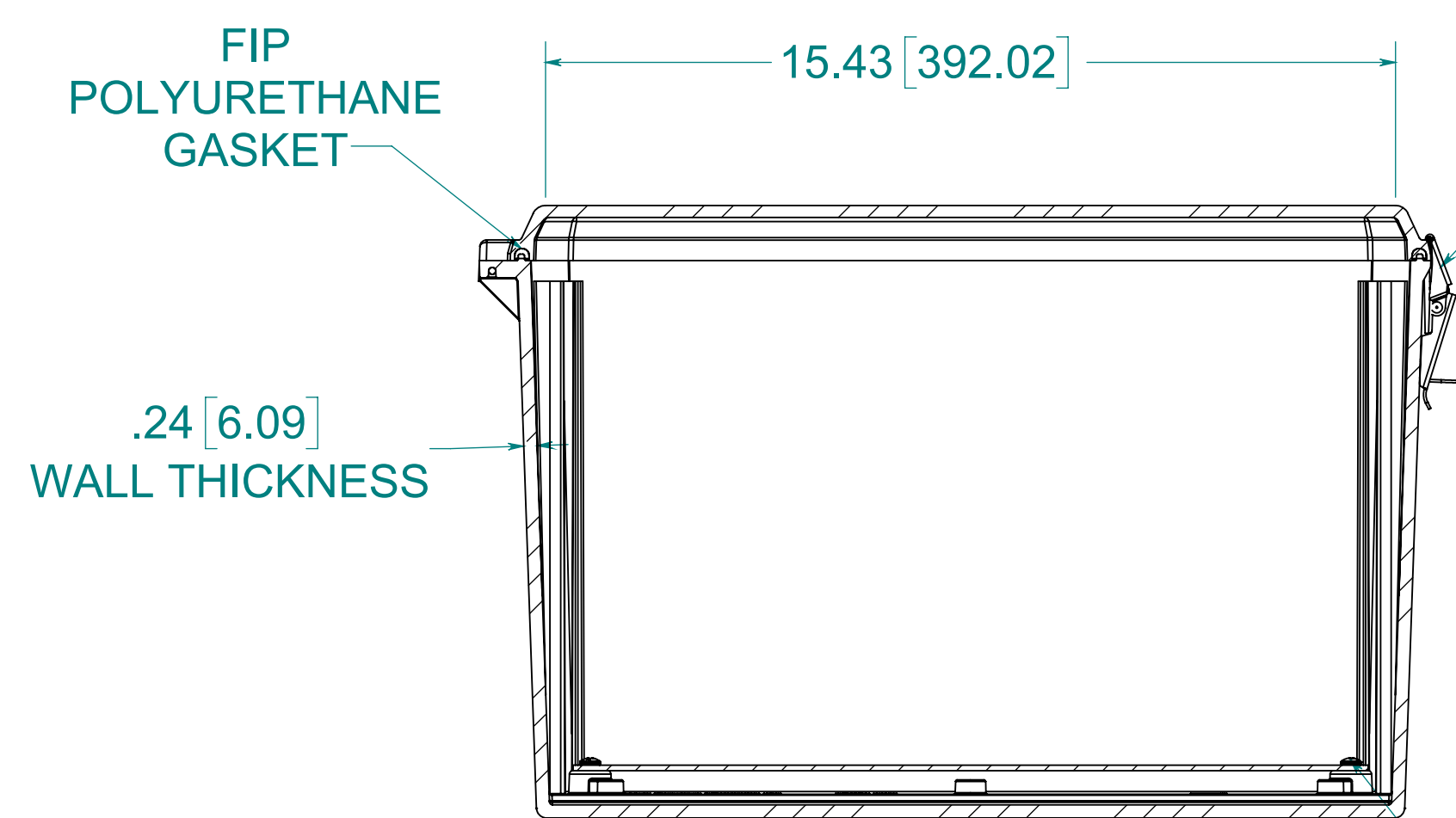


SECTION A-A

OPTIONAL BACK PANEL SHOWN  
 0.100 [2.54mm] TH'K- ALUMINUM  
 0.075 [1.91mm] TH'K- WHITE STEEL  
 0.188 [4.78mm] TH'K- PVC



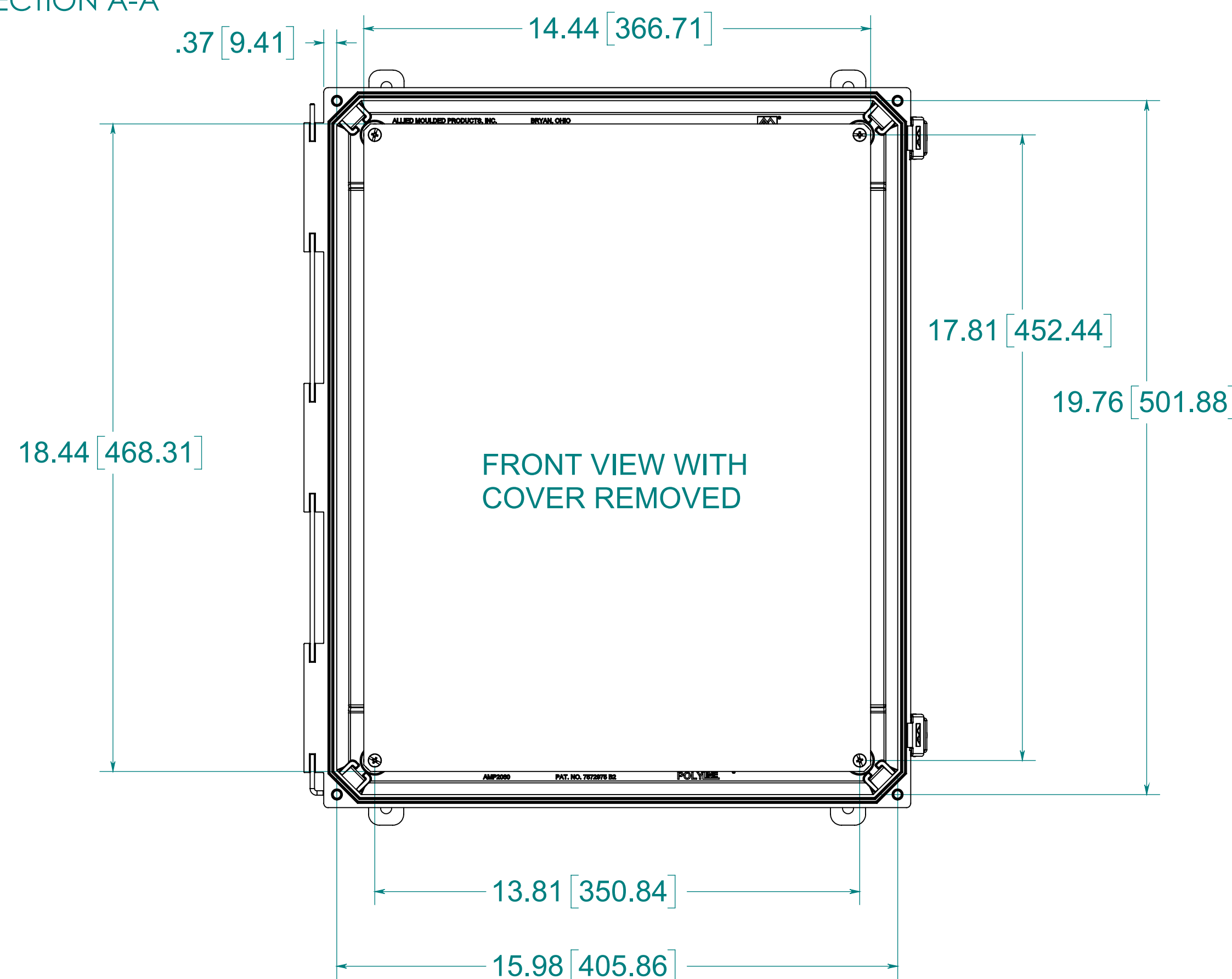
(2X) POLYCARBONATE FEET  
 (4X) EACH #10-32 BRASS INSERTS AND 316 STAINLESS STEEL FEET SCREWS



SECTION B-B

(2X) 316 STAINLESS STEEL LOCKABLE SNAP LATCH

(4X) EACH #10-32 BRASS INSERTS AND PLATED CARBON STEEL SCREWS



FRONT VIEW WITH COVER REMOVED

NOTE:  
 1. DATA SUBJECT TO CHANGE WITHOUT NOTICE

MATERIAL:  
 BOX- INJECTED POLYCARBONATE  
 STANDARD COVER- INJECTED POLYCARBONATE  
 CLEAR COVER- INJECTED POLYCARBONATE



Description

CONFIDENTIAL  
 THIS MATERIAL IS OWNED BY THE ALLIED MOULDED PRODUCTS COMPANY, IS DISCLOSED IN CONFIDENCE, AND IS NOT TO BE REPRODUCED OR DISTRIBUTED WITHOUT PRIOR WRITTEN PERMISSION FROM ALLIED MOULDED PRODUCTS.  
 © 2018 Allied Moulded Products, Inc. All Rights Reserved

AMP Polyline  
 Part No. AMP2060CCL