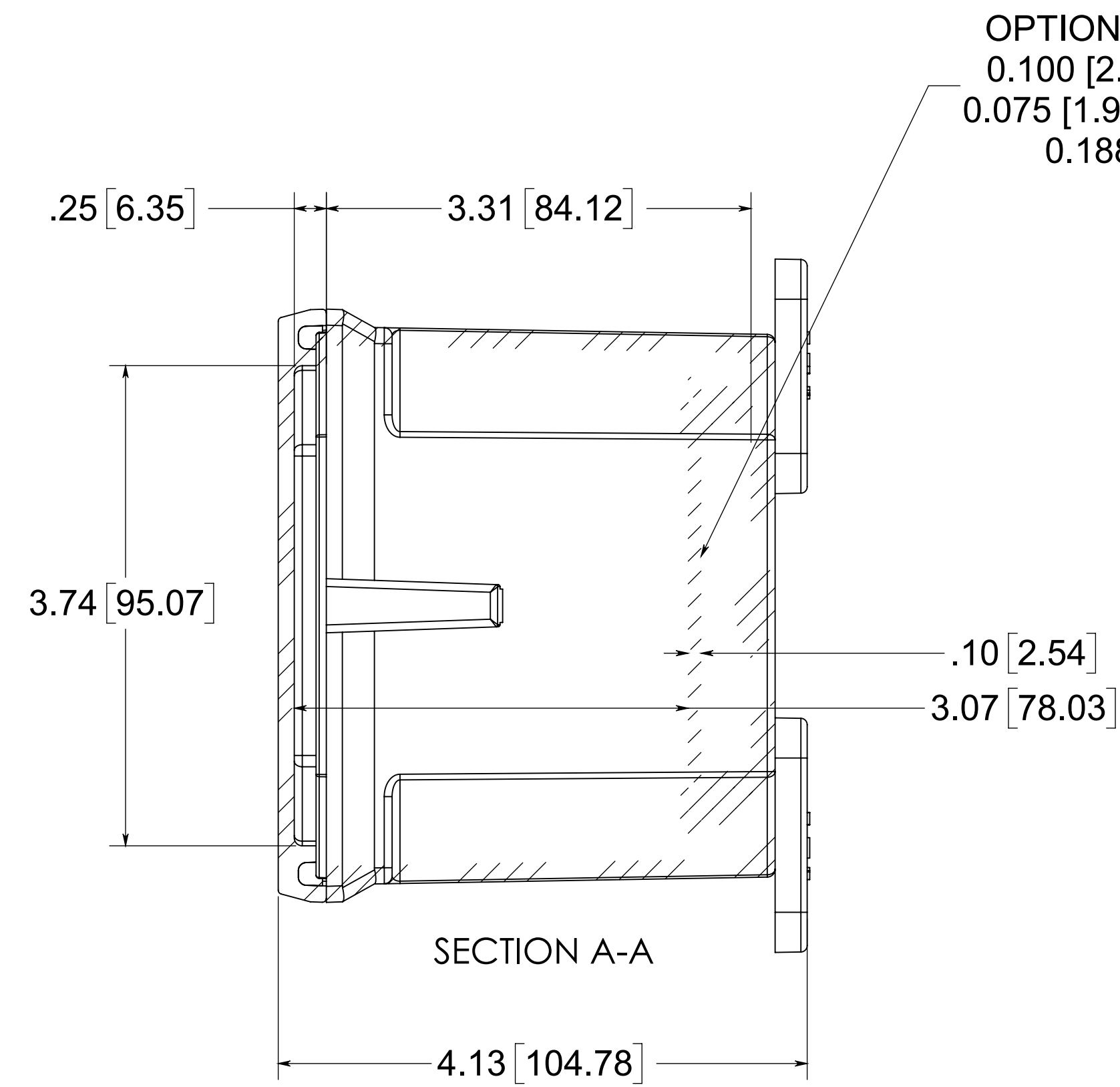
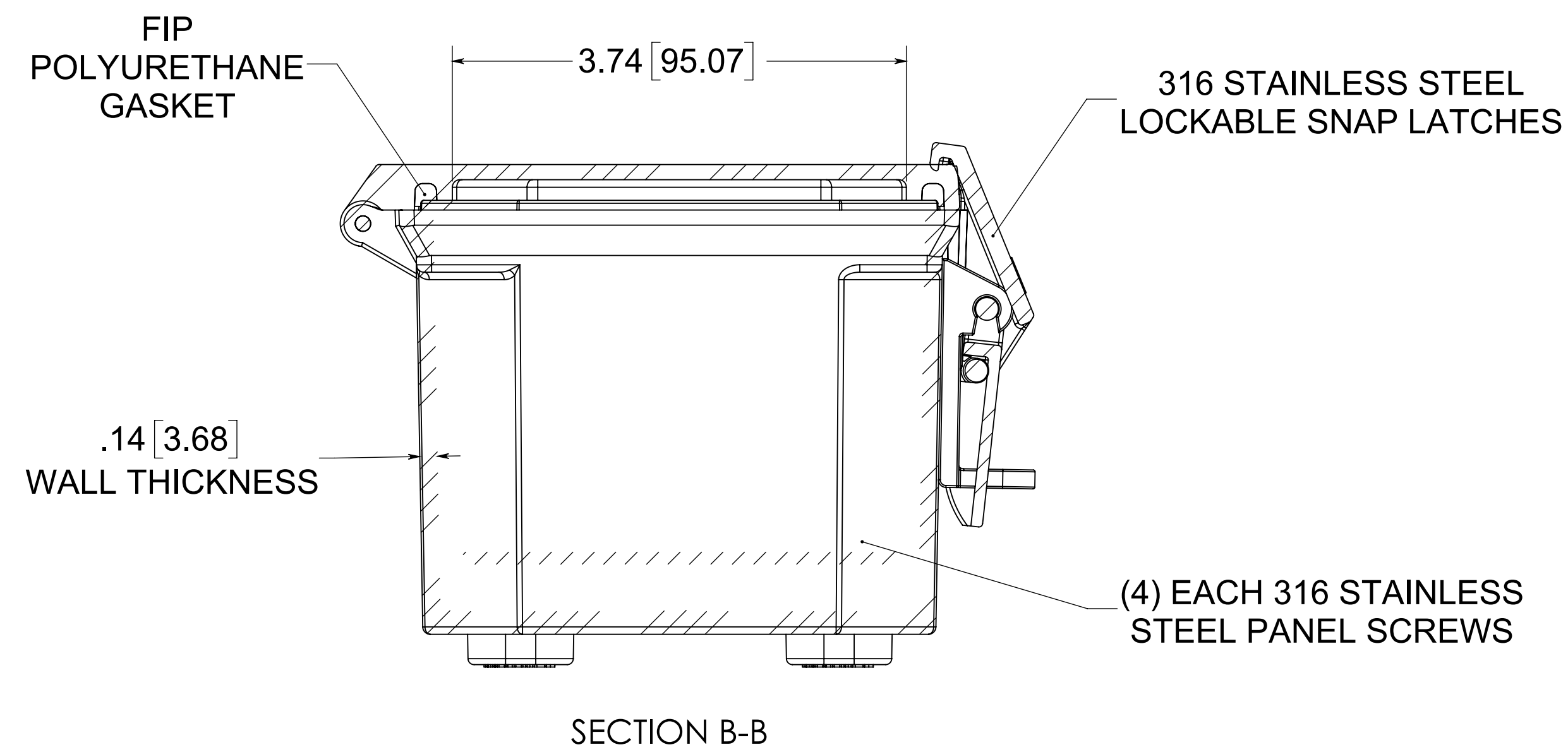
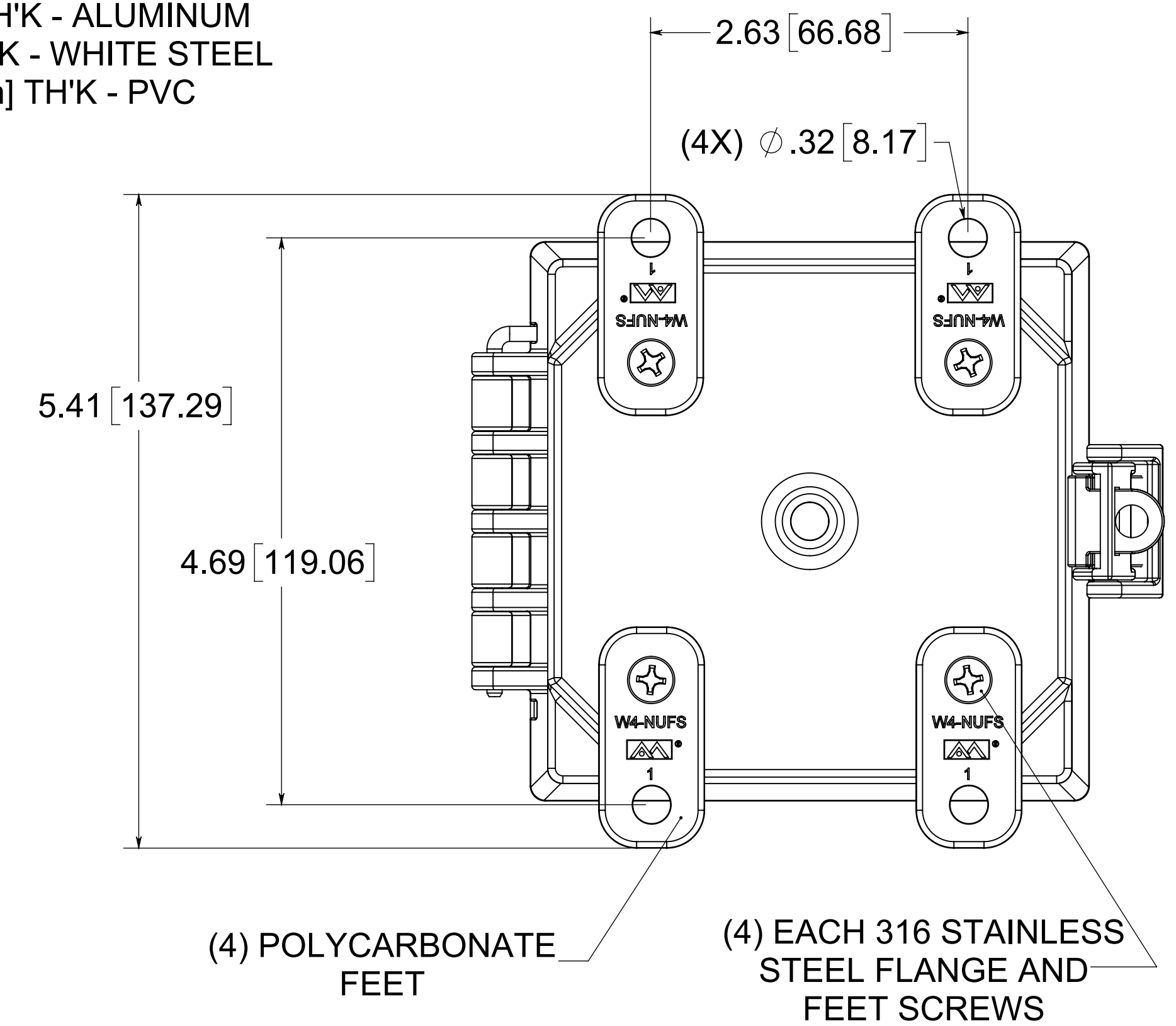


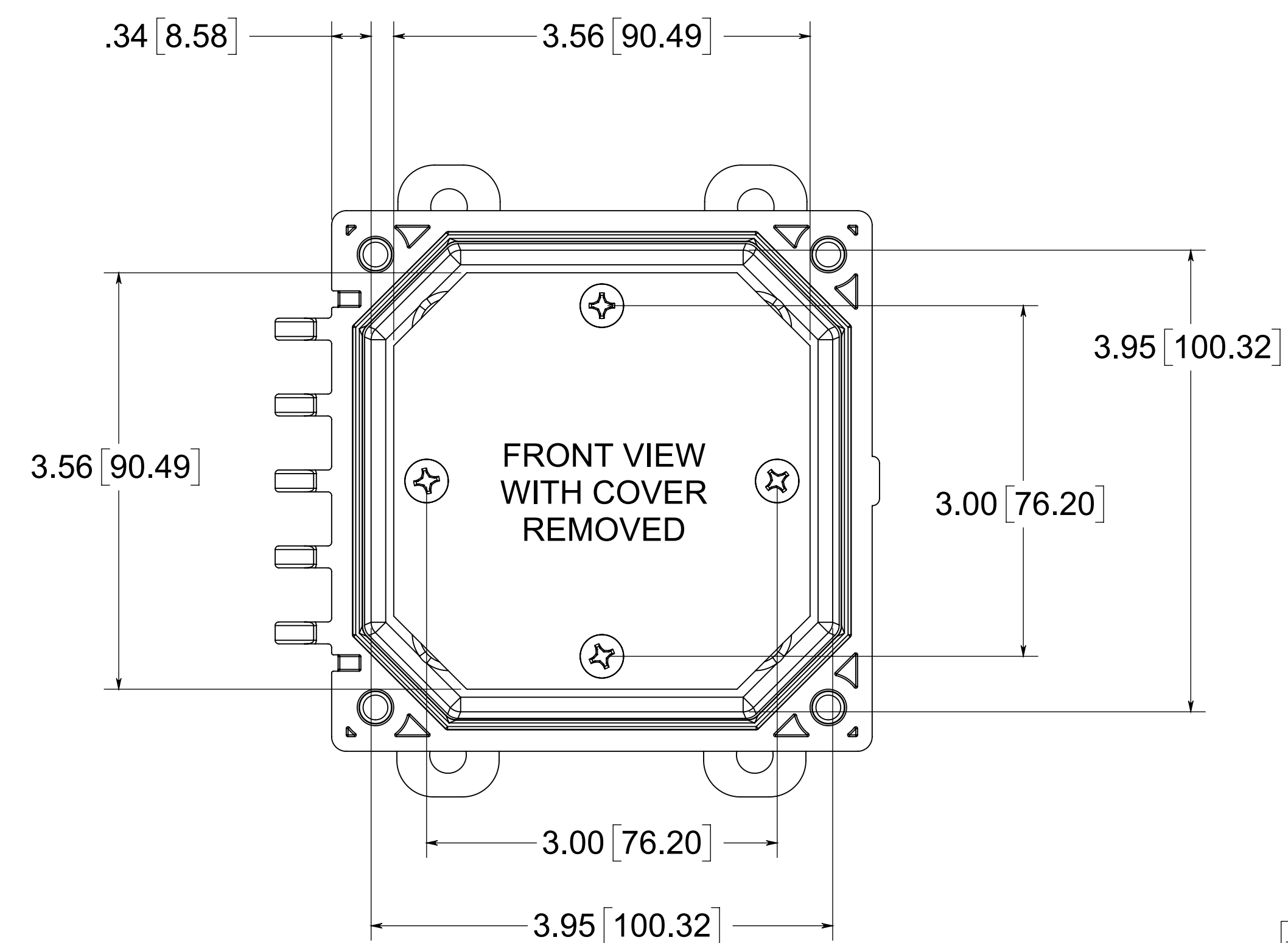
316 STAINLESS STEEL HINGE PIN



OPTIONAL BACK PANEL SHOWN  
 0.100 [2.54mm] TH'K - ALUMINUM  
 0.075 [1.91mm] TH'K - WHITE STEEL  
 0.188 [4.78mm] TH'K - PVC

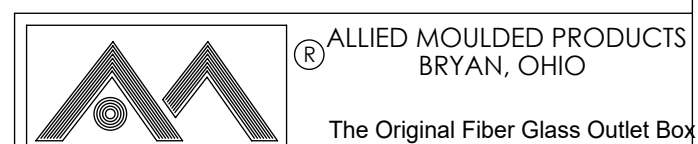


.14 [3.68] WALL THICKNESS



NOTE:  
 1. DATA SUBJECT TO CHANGE WITHOUT NOTICE

MATERIAL:  
 BOX - INJECTION POLYCARBONATE  
 STANDARD COVER - INJECTION POLYCARBONATE  
 CLEAR COVER - INJECTION POLYCARBONATE



CONFIDENTIAL  
 THIS MATERIAL IS OWNED BY THE ALLIED MOULDED PRODUCTS COMPANY, IS DISCLOSED IN CONFIDENCE, AND IS NOT TO BE REPRODUCED OR DISTRIBUTED WITHOUT PRIOR WRITTEN PERMISSION FROM ALLIED MOULDED PRODUCTS.  
 © 2018 Allied Moulded Products, Inc.  
 All Rights Reserved

Description  
**AMP Polyline**  
 Part No.  
**AMP443NL**