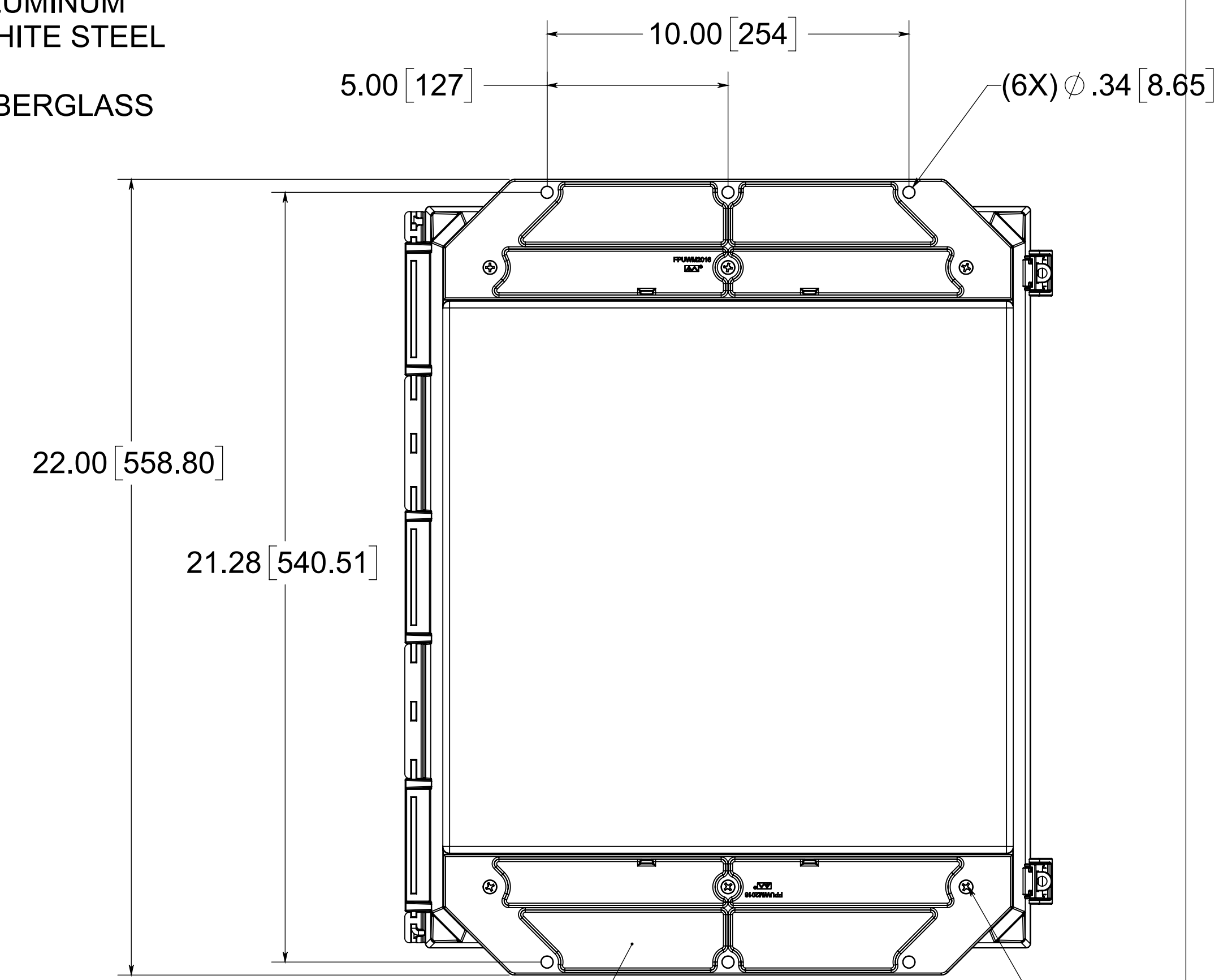
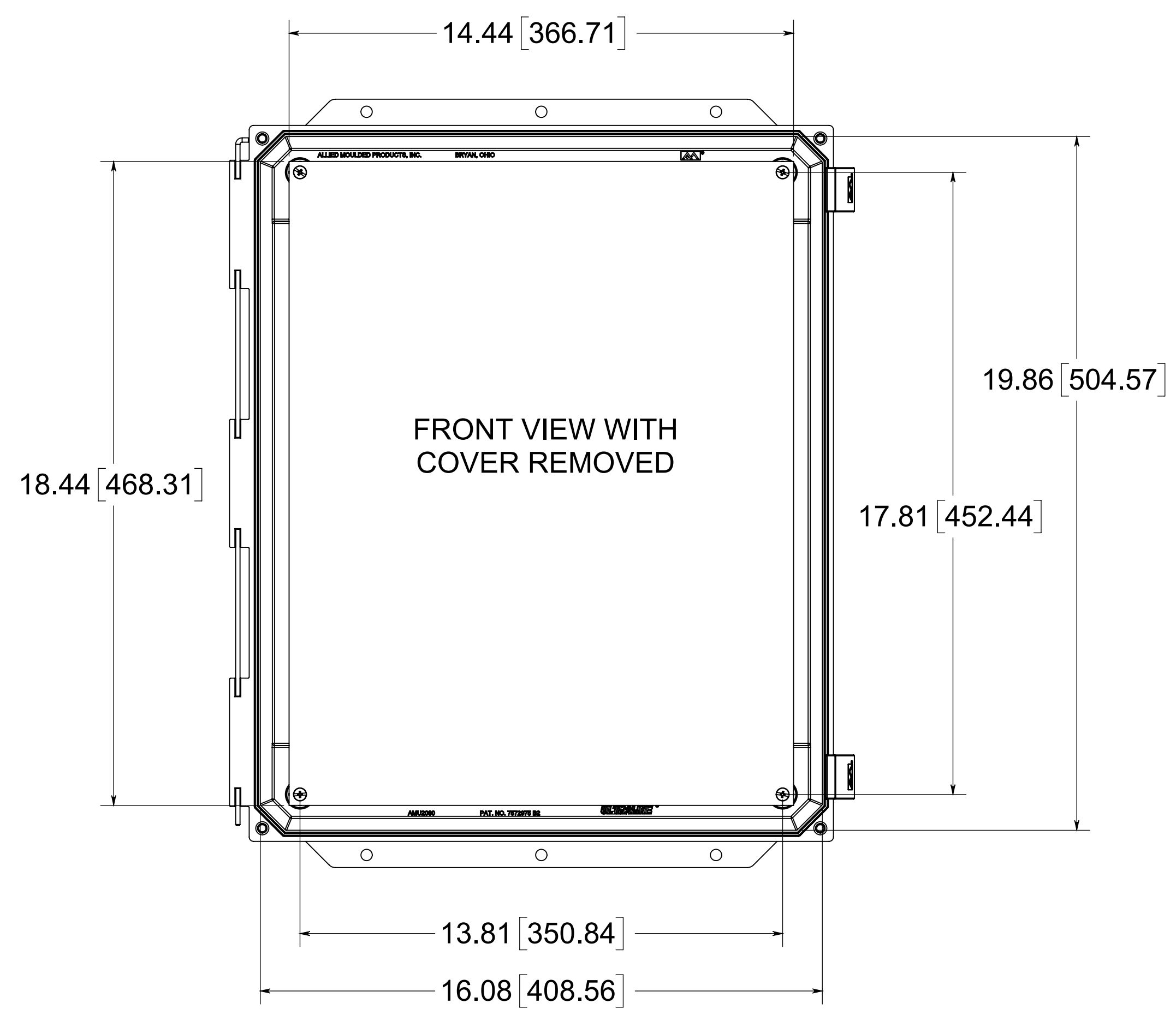
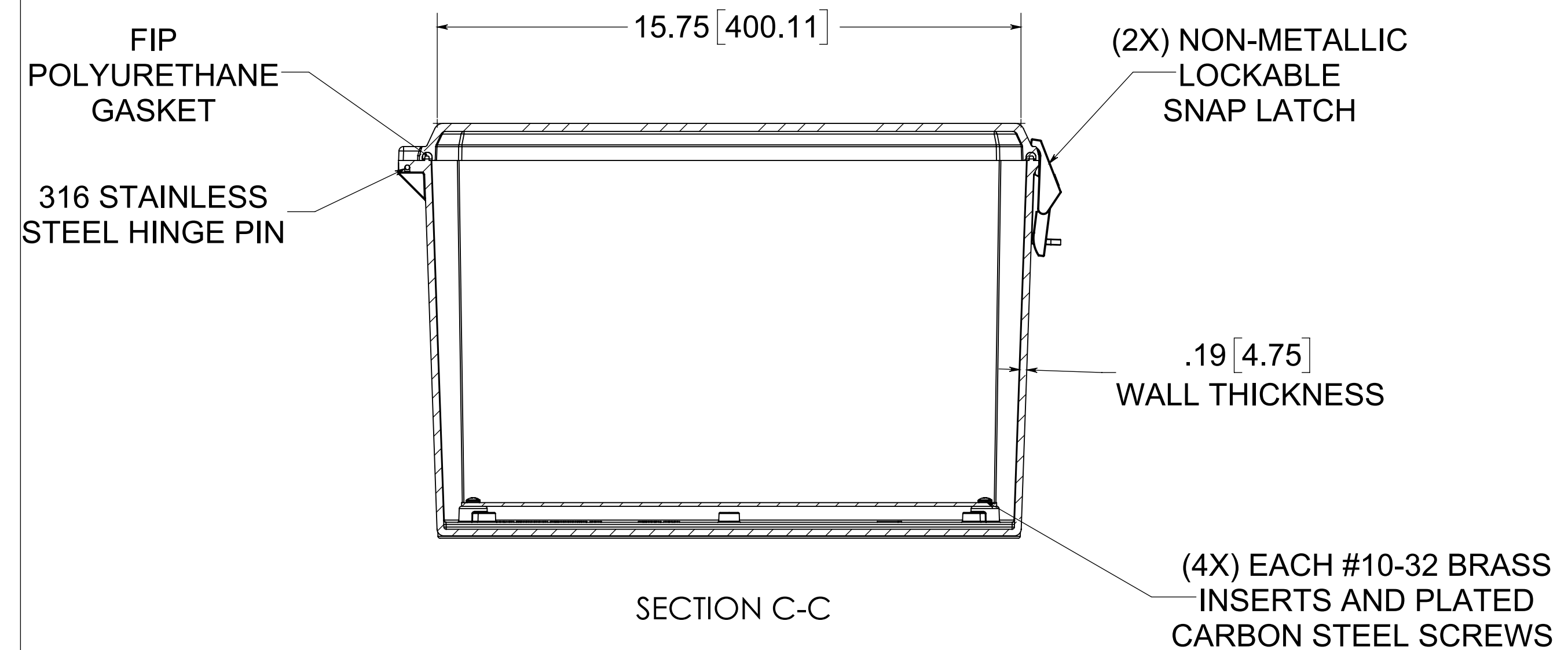


OPTIONAL BACK PANEL
 0.100 [2.54] TH'K - ALUMINUM
 0.075 [1.91] TH'K - WHITE STEEL
 & GALVANNEALED
 0.250 [6.35] TH'K - FIBERGLASS



(2X) POLYCARBONATE FLANGES

(6X) EACH #10-32 BRASS INSERTS AND 316 STAINLESS STEEL FLANGE AND FEET SCREWS



NOTE:
 1. DATA SUBJECT TO CHANGE

MATERIAL:

BOX: INJECTION MOLDED POLYCARBONATE
 STANDARD COVER: INJECTION MOLDED POLYCARBONATE
 CLEAR COVER: INJECTION MOLDED POLYCARBONATE

CONFIDENTIAL
 THIS MATERIAL IS OWNED BY THE ALLIED MOULDED PRODUCTS COMPANY, IS DISCLOSED IN CONFIDENCE, AND IS NOT TO BE REPRODUCED OR DISTRIBUTED WITHOUT PRIOR WRITTEN PERMISSION FROM ALLIED MOULDED PRODUCTS.
 © Allied Moulded Products, Inc. All Rights Reserved

ALLIED MOULDED PRODUCTS
 BRYAN, OHIO
 The Original Fiber Glass Outlet Box

Description
AMU Ultraline
 Part No.
AMU2060CCNLF