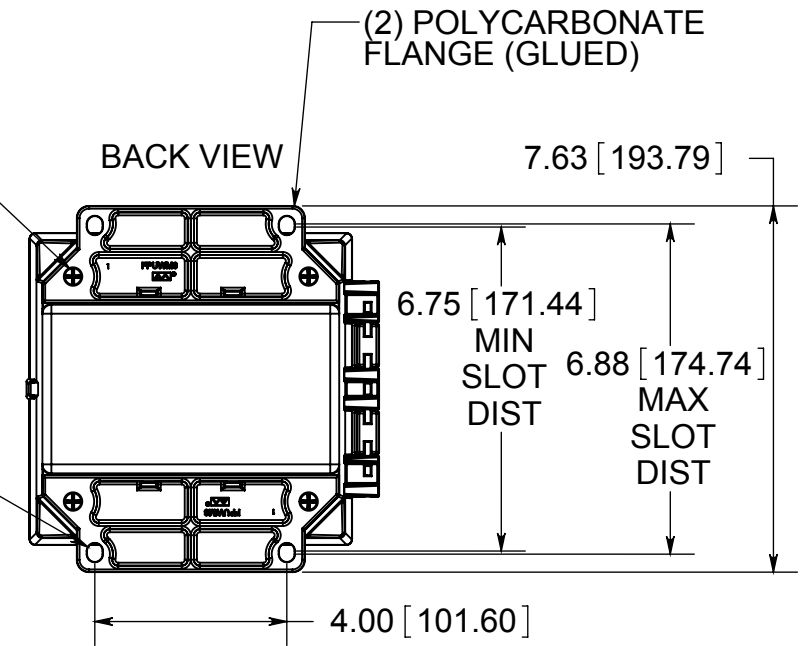


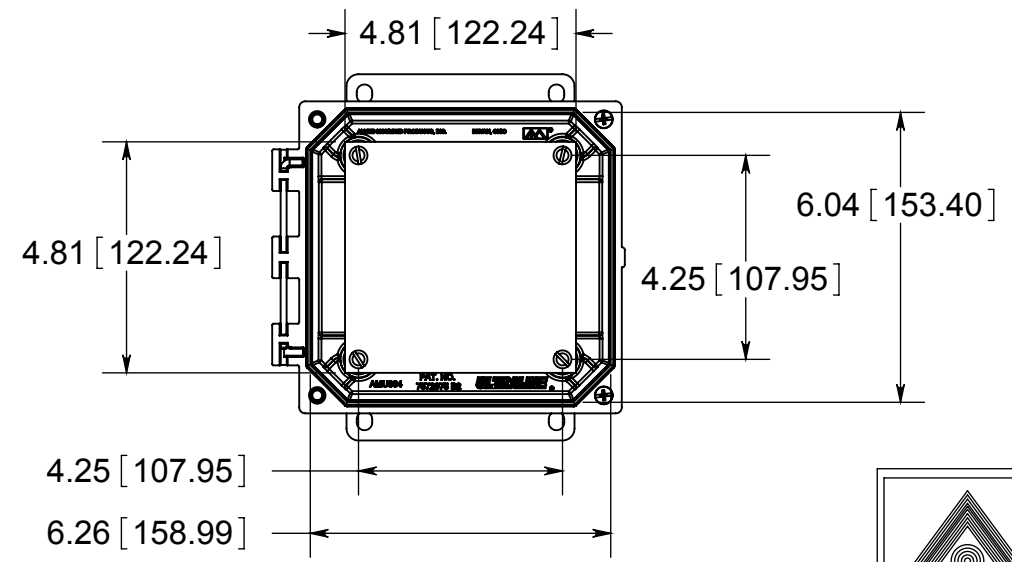
OPTIONAL BACK PANEL SHOWN  
 0.100 [2.54mm] TH'K- ALUMINUM  
 0.075 [1.91mm] TH'K- WHITE STEEL & GALVANNEALED  
 0.125 [3.18mm] TH'K- FIBERGLASS

(4) EACH #10-32 BRASS  
 INSERTS, AND STAINLESS  
 STEEL FLANGE AND  
 FEET SCREWS



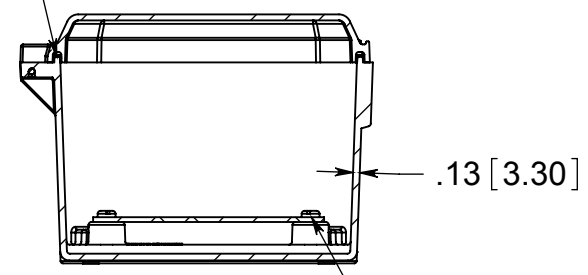
(2) EACH #10-32 BRASS  
 AND STAINLESS STEEL  
 CAPTIVE COVER SCREWS

FRONT VIEW  
 WITH COVER REMOVED  
 AND BACK PANEL DISPLAYED



(4) EACH #10-32 BRASS  
 INSERTS AND PLATED  
 CARBON STEEL SCREWS

CLOSED CELL  
 NEOPRENE  
 GASKET



**MATERIAL:**

BOX- COMPRESSION MOLDED FIBERGLASS REINFORCED POLYESTER  
 COVER- COMPRESSION MOLDED FIBERGLASS REINFORCED POLYESTER  
 CLEAR COVER AND WINDOWS- POLYCARBONATE

**CONFIDENTIAL**  
 THIS MATERIAL IS OWNED BY THE ALLIED MOULDED  
 PRODUCTS COMPANY, IS DISCLOSED IN CONFIDENCE,  
 AND IS NOT TO BE REPRODUCED OR DISTRIBUTED  
 WITHOUT PRIOR WRITTEN PERMISSION FROM  
 ALLIED MOULDED PRODUCTS.



**ALLIED MOULDED PRODUCTS**  
 BRYAN, OHIO

The Original Fiber Glass Outlet Box

PRODUCT SERIES

**AMU Ultraline**

Part No.

**AMU664CCHF**