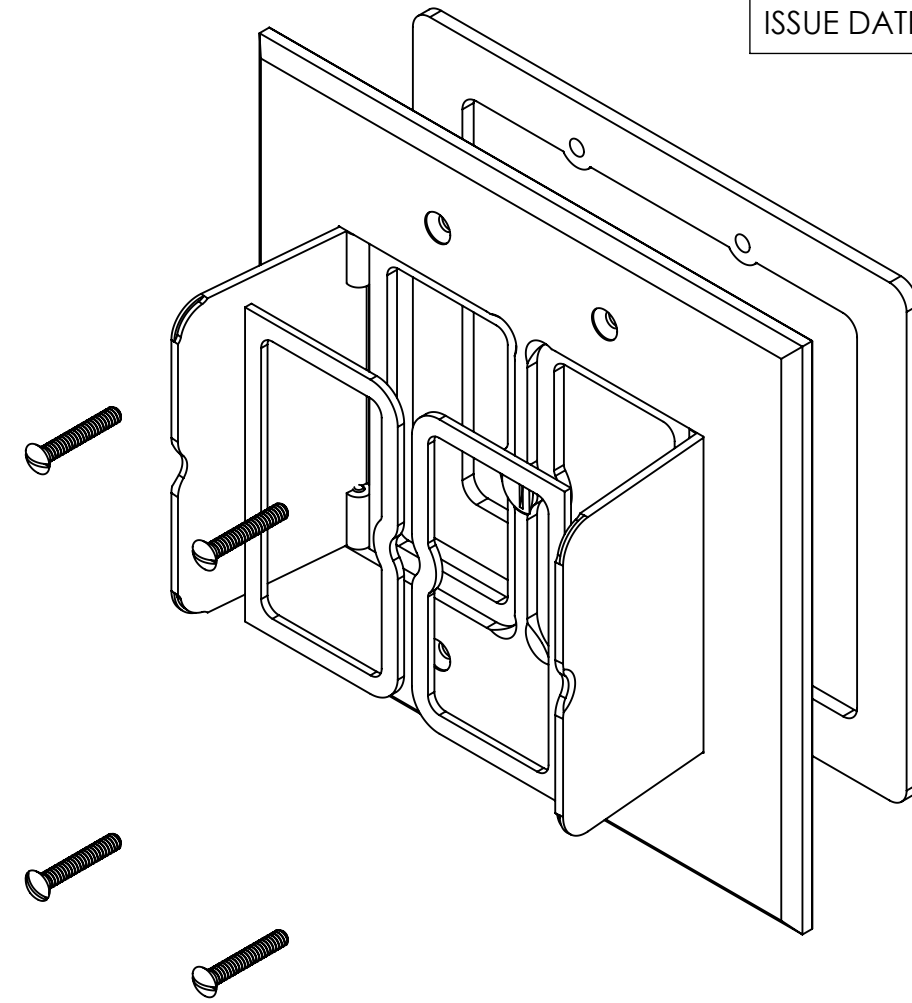
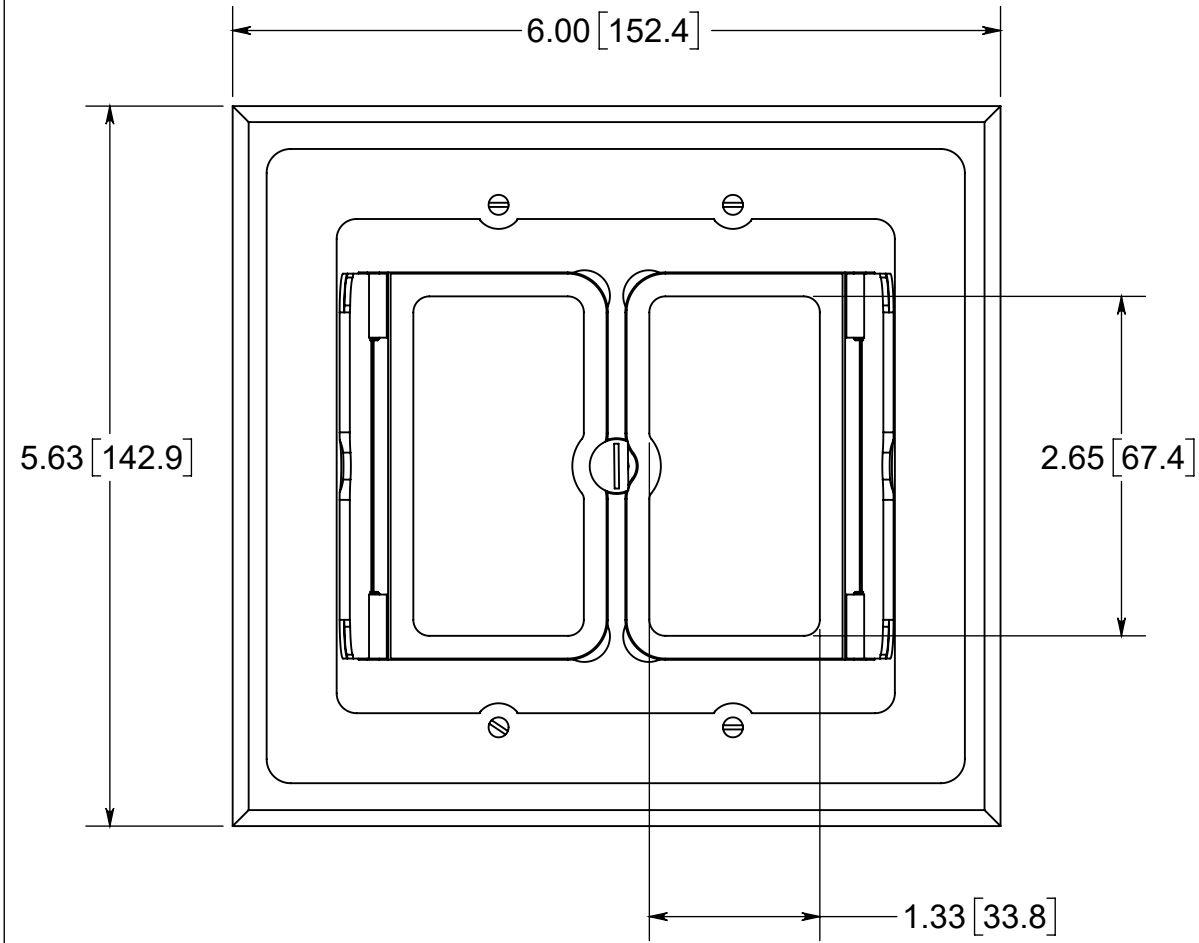
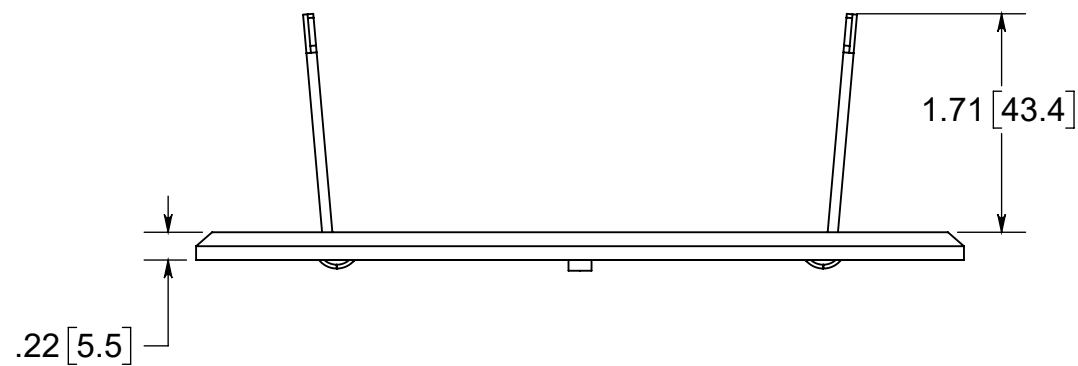


# FLOOR BOX



**! WARNING:**  
 This product can expose you to chemicals including lead, which is known to the State of California to cause cancer and birth defects or other reproductive harm. For more information go to [www.P65Warnings.ca.gov](http://www.P65Warnings.ca.gov).

**NOTES:**  
 1.) COVER PLATE MATERIAL: NICKLE PLATED BRASS, COVER PLATE MOUNTING SCREW MATERIAL: BRASS, GASKET MATERIALS: POLYURETHANE FOAM, O-RING MATERIAL: SILICONE  
 2.) WHEN USED WITH FB-5N FLOOR BOX IT IS UL LISTED, FLOOR BOX MEETS UL514C SCRUB WATER EXCLUSION TEST



 **ALLIED MOULDED PRODUCTS**  
 BRYAN, OHIO  
 The Original Fiber Glass Outlet Box

PRODUCT SERIES  
 FB-5N FLOOR BOX REPLACEMENT COVER

Part No.  
**FB-5NCVR**

**CONFIDENTIAL**  
 THIS MATERIAL IS OWNED BY THE ALLIED MOULDED PRODUCTS COMPANY, IS DISCLOSED IN CONFIDENCE, AND IS NOT TO BE REPRODUCED OR DISTRIBUTED WITHOUT PRIOR WRITTEN PERMISSION FROM ALLIED MOULDED PRODUCTS.