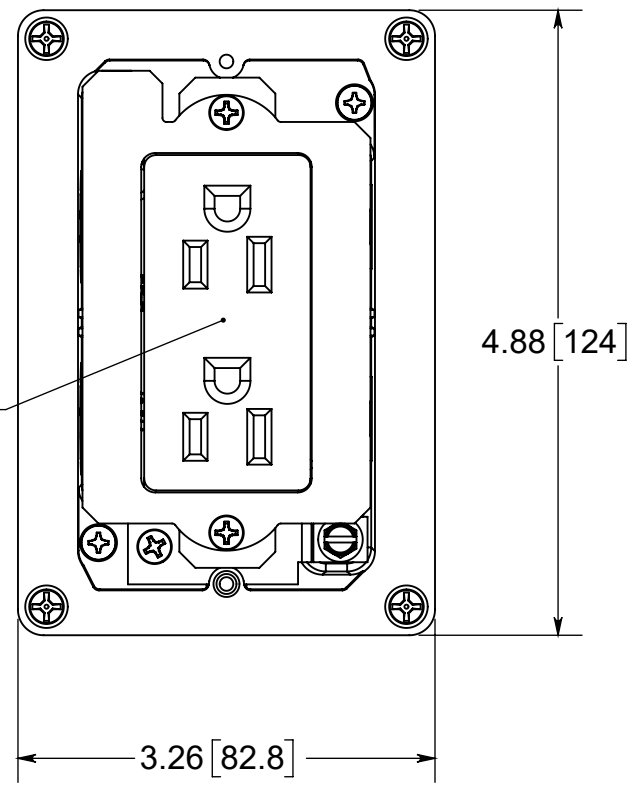
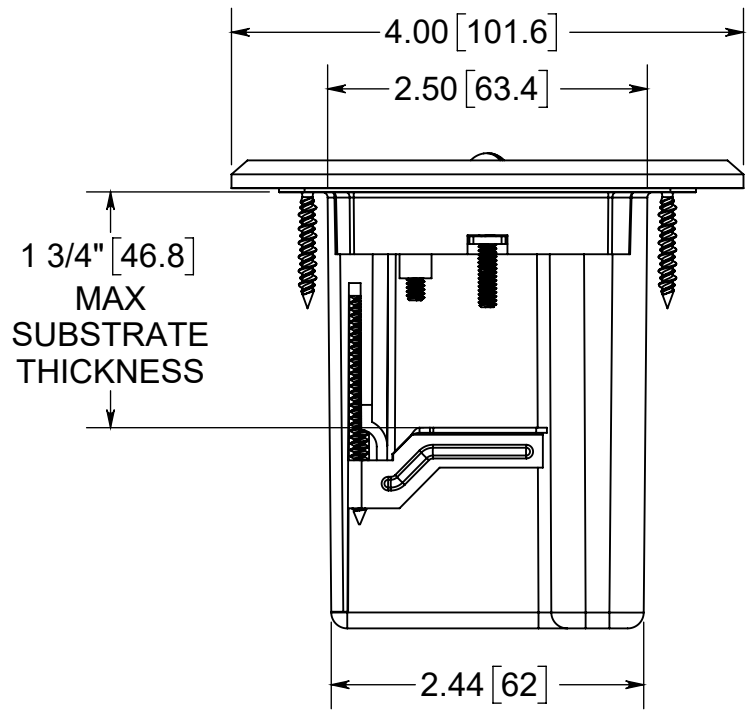
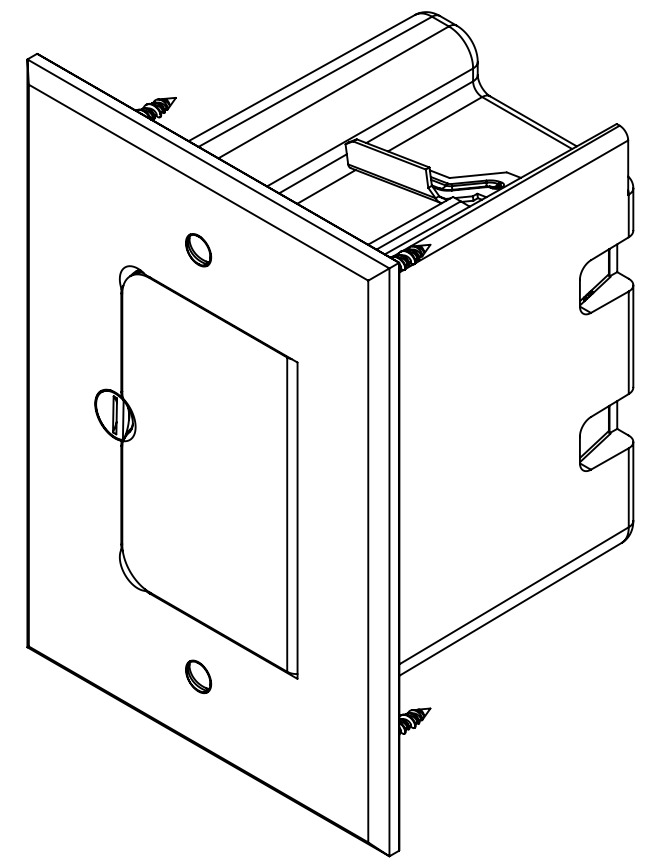
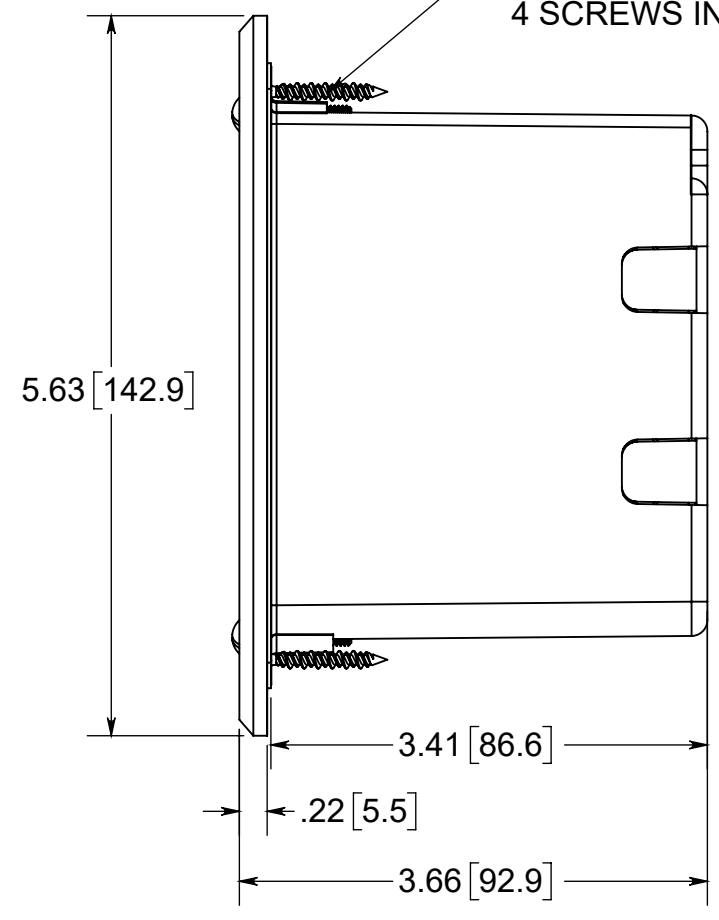


FLOOR BOX

STANDARD
DECORATIVE STYLE
DEVICE
15 AMP, 125V
TAMPER RESISTANT



OPTIONAL FLANGE
MOUNT METHOD
4 SCREWS INCLUDED



NOTES:
 1.) BOX MATERIAL: POLYCARBONATE, COVER
 PLATE MATERIAL: BRASS, COVER PLATE
 MOUNTING SCREW MATERIALS: BRASS, DEVICE
 MOUNTING SCREW MATERIALS: ZINC PLATED
 STEEL, FLANGE MOUNTING SCREW MATERIALS:
 BLACK PHOSPHATE COATED STEEL WING
 MATERIAL: ZINC PLATED STEEL, GROUND PLATE
 MATERIAL: ZINC PLATED STEEL, GASKET
 MATERIALS: POLYURETHANE FOAM
 2.) UL LISTED, FLOOR BOX MEETS UL514C SCRUB
 WATER EXCLUSION TEST

WARNING:
 This product can expose you to chemicals including lead, which is known to the State of California to cause cancer and birth defects or other reproductive harm. For more information go to www.P65Warnings.ca.gov.



PRODUCT SERIES
SINGLE GANG FLOOR BOX

Part No.
FB-6

CONFIDENTIAL
 THIS MATERIAL IS OWNED BY THE ALLIED MOULDED PRODUCTS COMPANY, IS DISCLOSED IN CONFIDENCE, AND IS NOT TO BE REPRODUCED OR DISTRIBUTED WITHOUT PRIOR WRITTEN PERMISSION FROM ALLIED MOULDED PRODUCTS.