



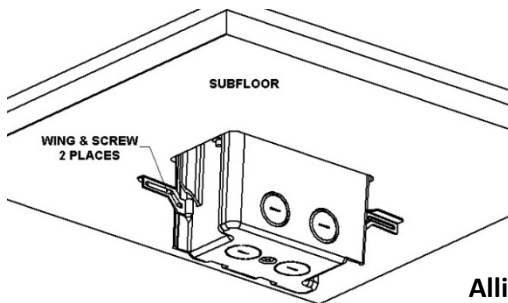
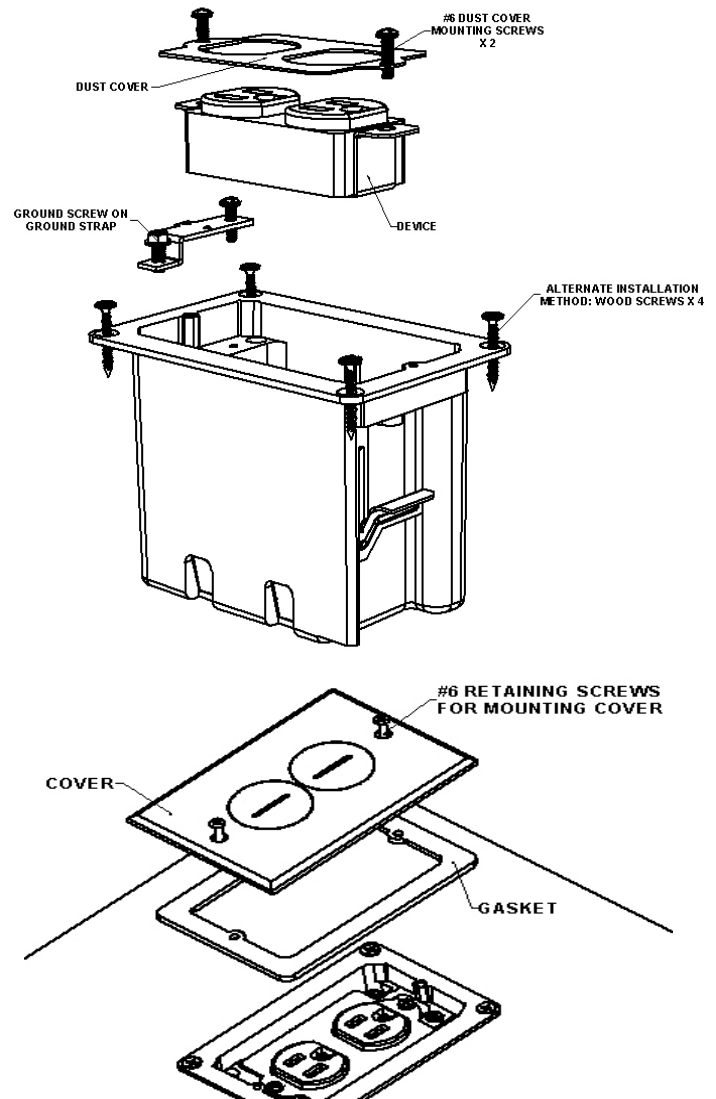
Instructions for Installing Floor Box Rough in Kits

NOTE: Phillips head screwdriver or similar tool is required to install floor box.

CAUTION: Risk of Electric Shock! Disconnect power to the circuit on which the Floor Box is being installed before installation.

1. Locate desired position in room for Floor Box installation. It is recommended to position the floor box between floor joist to avoid cutting into the joist (at least 3.5" from center of cutout to edge of joist).
2. Cut a rectangular hole in the finished floor & subfloor according to chart. (Prior to mounting, clear debris from surface and gasket.)
3. Bring the electrical cable through the cutout in the floor.
4. Insert the electrical cable into the Floor Box through one of the cable clamp slots. The cable can also be inserted through one of the round knockouts using a nonmetallic cable clamp (not included).
5. Place Floor Box into the cutout in the floor.
6. Secure the Floor Box in place by tightening the two wing screws as shown.
7. **Alternate installation method:** screw Floor Box directly to the floor using the four wood screws provided.
8. Connect copper wires only to the device according to local electrical code. For back wiring, strip the wire insulation by 5/8". Loosen the terminal screws and insert the black wire into the hole labeled 'black' or 'hot' and the white wire into the hole labeled 'white' or 'neutral'. Tighten each terminal screw securely. For side wiring, strip the wire insulation by 5/8". Connect the hot line (black wire) to the brass colored screw. Connect the neutral line (white wire) to the silver colored screw. Wrap each stripped wire 3/4 turn clockwise under the terminal screws. Tighten the terminal screws securely while holding the wire in position.
9. Secure the device and dust cover in position using the two #6 screws.
10. Place gasket in position on the flange of the Floor Box (gasket holes must line up with the Floor Box holes).
11. Install cover with the #6 retaining screws.

PART NUMBER	COVER OPTIONS	MAX PANEL CUTOUT SIZE (IN.)	
		L	W
FB-2RI	FB-2CVR, FB-2NCVR, FB-2DBCVR	4-7/16"	2-5/8"
FB-6RI	FB-6CVR, FB-6NCVR, FB-6DBCVR	4-7/16"	2-5/8"



Allied Moulded Products, Inc.

222 North Union Street • Bryan, OH 43506
Phone: 1-800-722-2679 • Fax: 1-800-237-7269
www.alliedmoulded.com