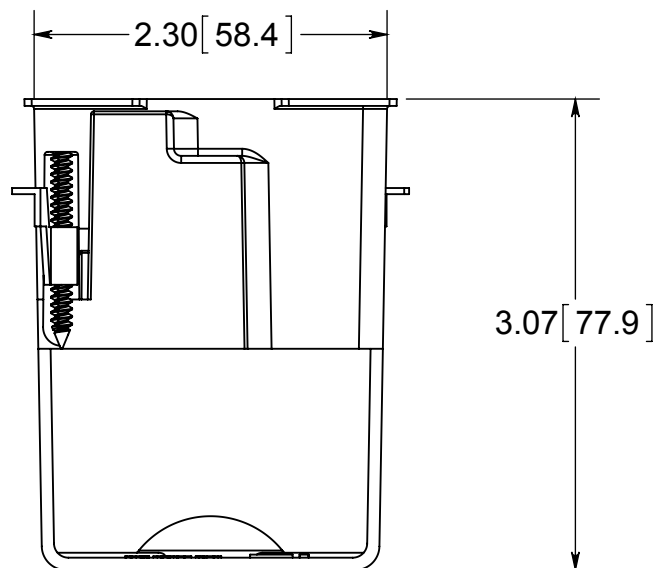
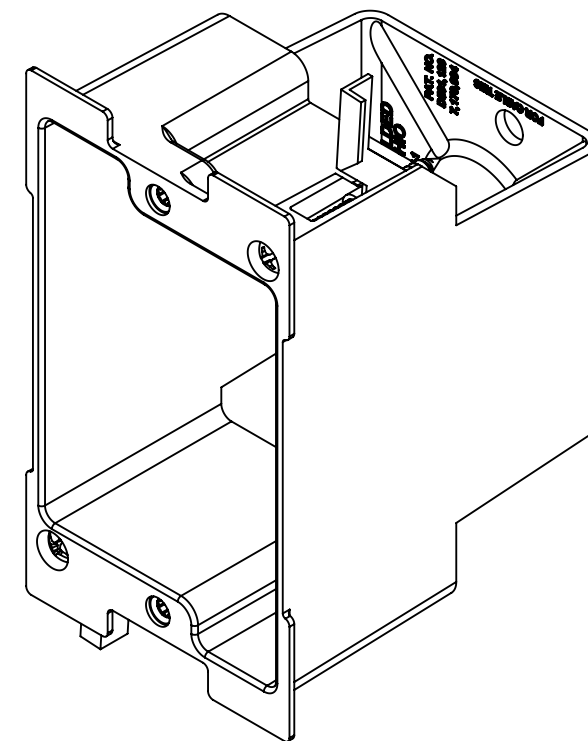
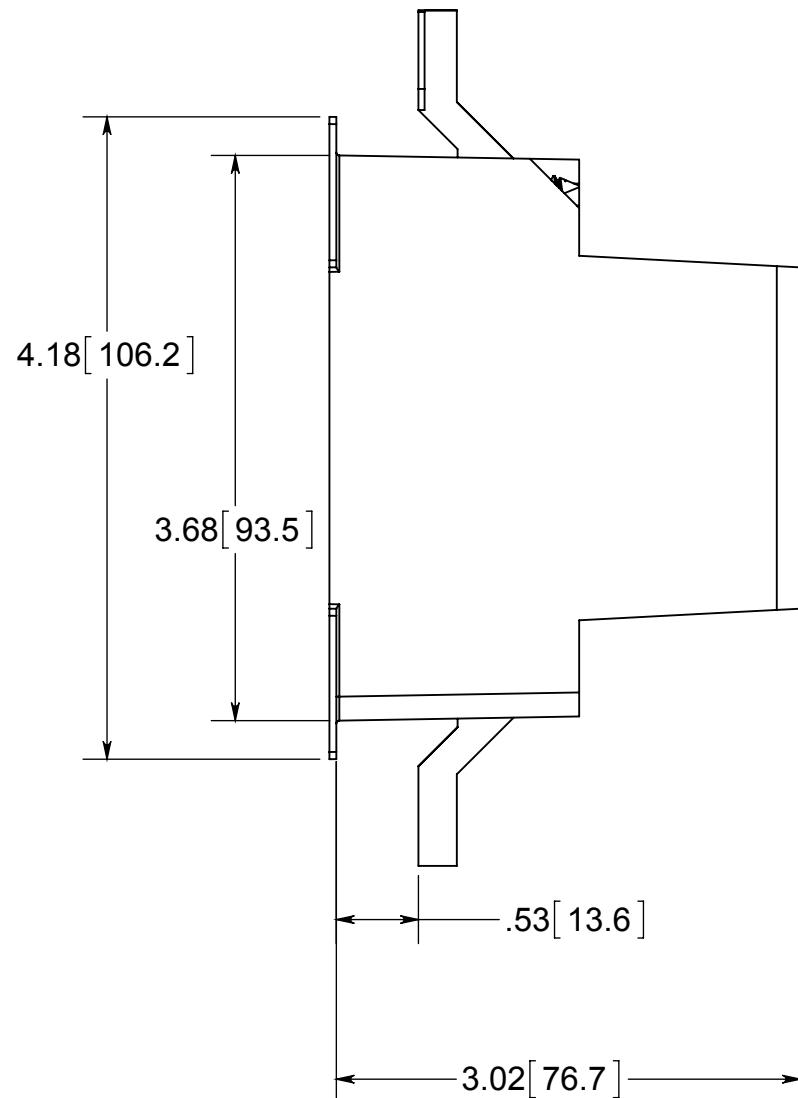
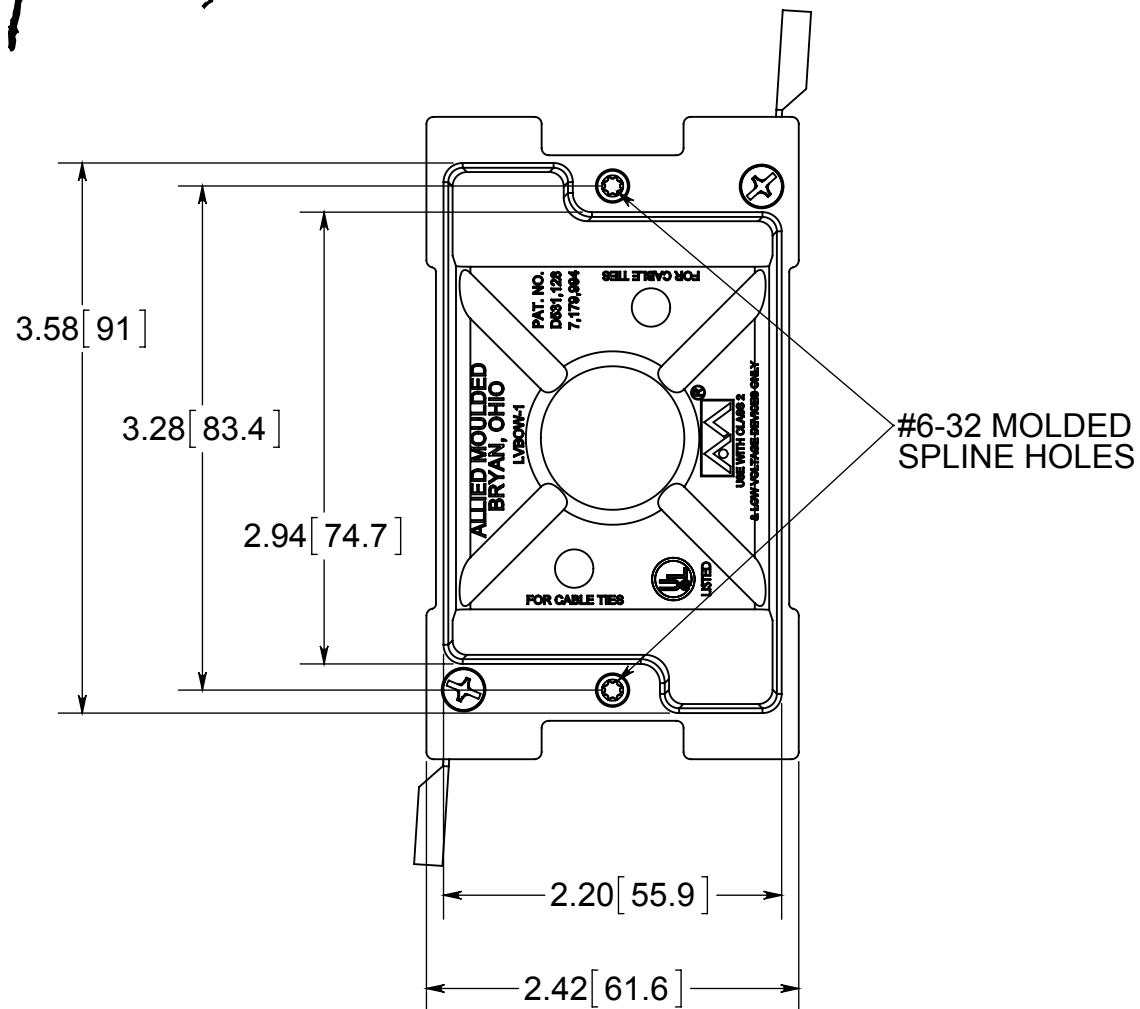


flexBOX®



- NOTES:
 1.) BOX MATERIAL: PVC, EAR MATERIAL: GALVANIZED STEEL, WING MATERIAL: GALVANIZED STEEL, WING SCREW MATERIAL: ZINC COATED STEEL
 2.) INTENDED FOR LOW VOLTAGE USE

 **ALLIED MOULDED PRODUCTS**
 BRYAN, OHIO
 The Original Fiber Glass Outlet Box

PRODUCT SERIES
OLD WORK SINGLE GANG CABLE BOX

Part No.
LVBOW-1

CONFIDENTIAL
 THIS MATERIAL IS OWNED BY THE ALLIED MOULDED PRODUCTS COMPANY, IS DISCLOSED IN CONFIDENCE, AND IS NOT TO BE REPRODUCED OR DISTRIBUTED WITHOUT PRIOR WRITTEN PERMISSION FROM ALLIED MOULDED PRODUCTS.