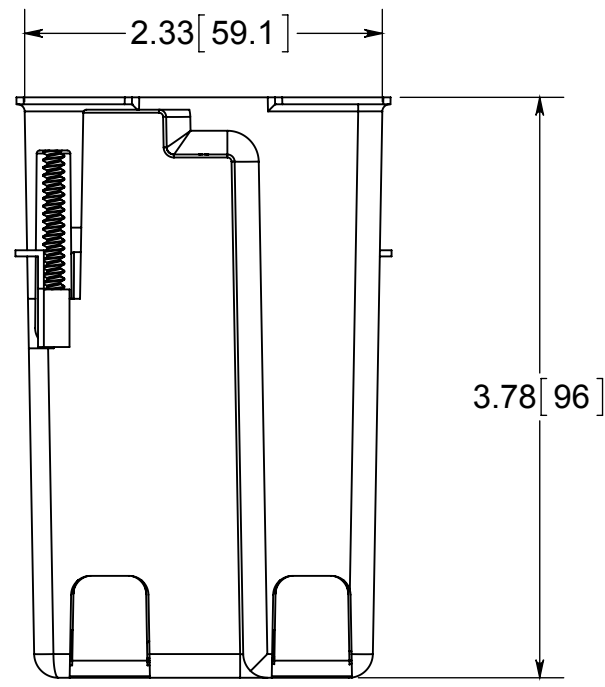
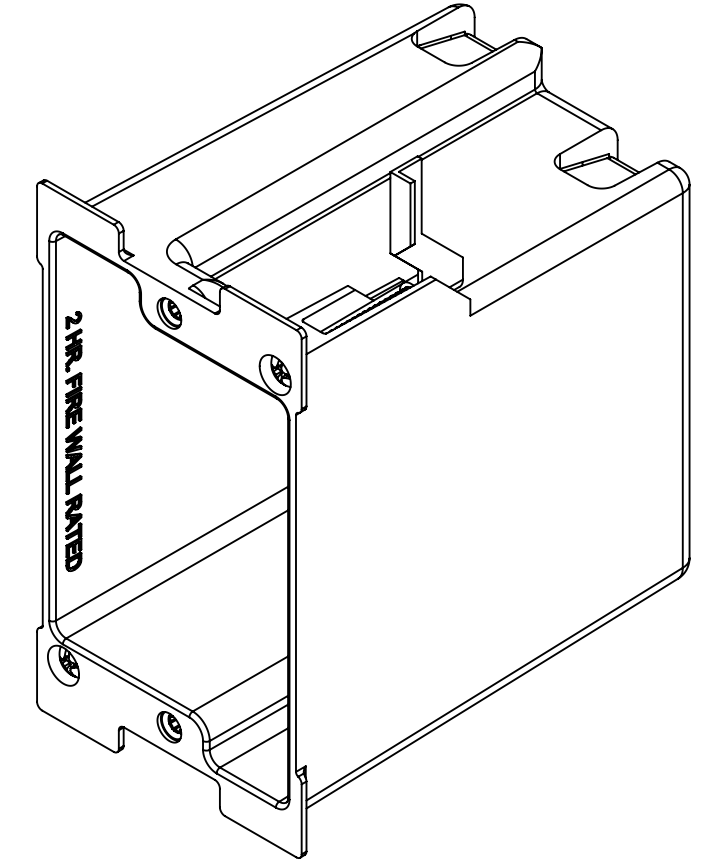
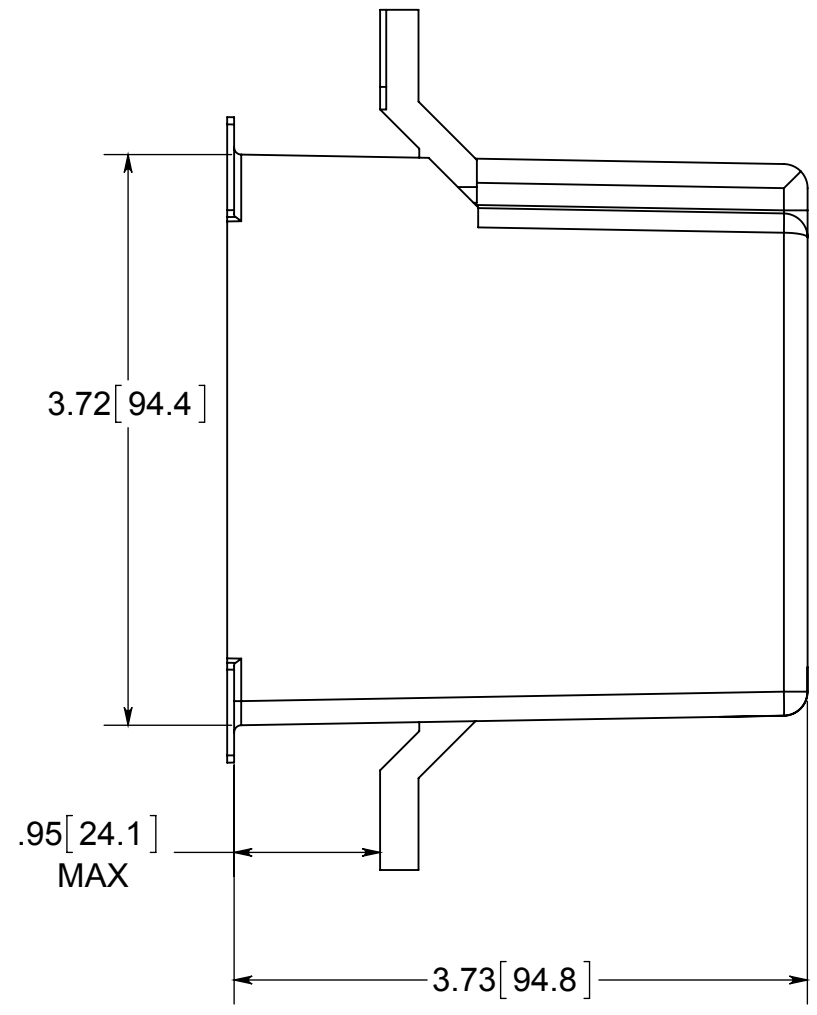
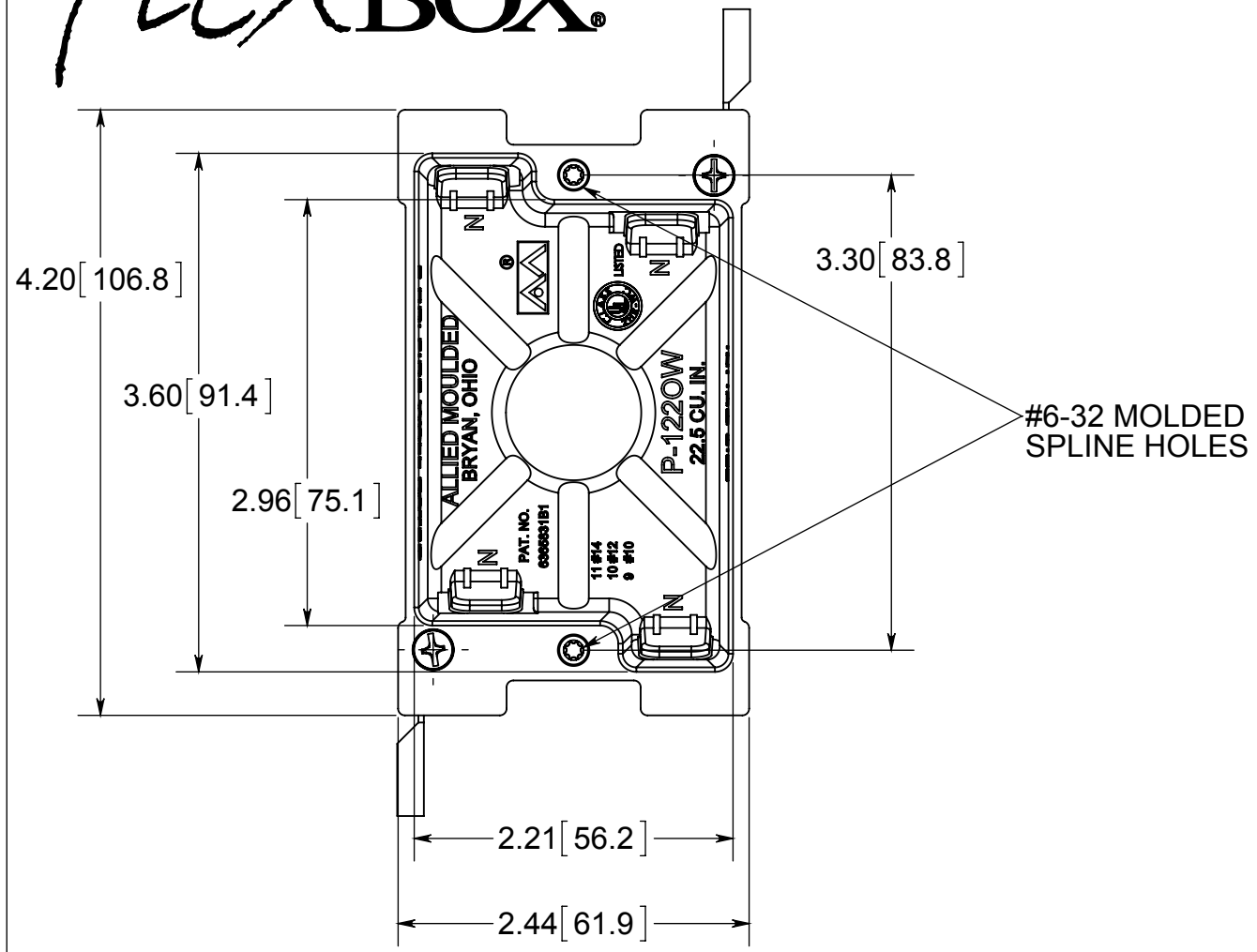


# flexBOX<sup>®</sup>

ISSUE DATE: 05/14/2015



**NOTES:**  
 1.) BOX MATERIAL: PVC, WING MATERIAL: GALVANIZED STEEL, WING SCREW MATERIAL: ZINC COATED STEEL, EAR MATERIAL: GALVANIZED STEEL  
 2.) UL LISTED WITH 2 HOUR FIRE RATING FOR WALL

 **ALLIED MOULDED PRODUCTS**  
 BRYAN, OHIO  
 The Original Fiber Glass Outlet Box

PRODUCT SERIES  
**SINGLE GANG 22.5 CU. IN.**

Part No.  
**P-1220W**

**CONFIDENTIAL**  
 THIS MATERIAL IS OWNED BY THE ALLIED MOULDED PRODUCTS COMPANY, IS DISCLOSED IN CONFIDENCE, AND IS NOT TO BE REPRODUCED OR DISTRIBUTED WITHOUT PRIOR WRITTEN PERMISSION FROM ALLIED MOULDED PRODUCTS.