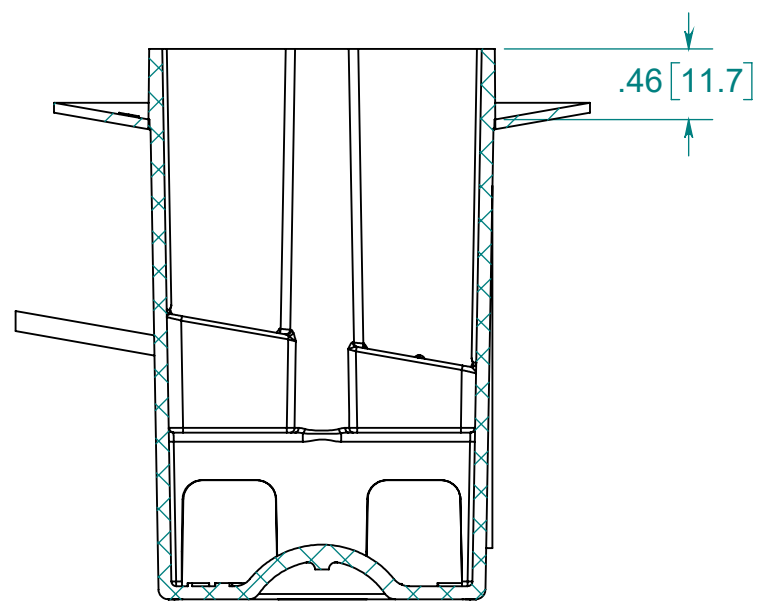
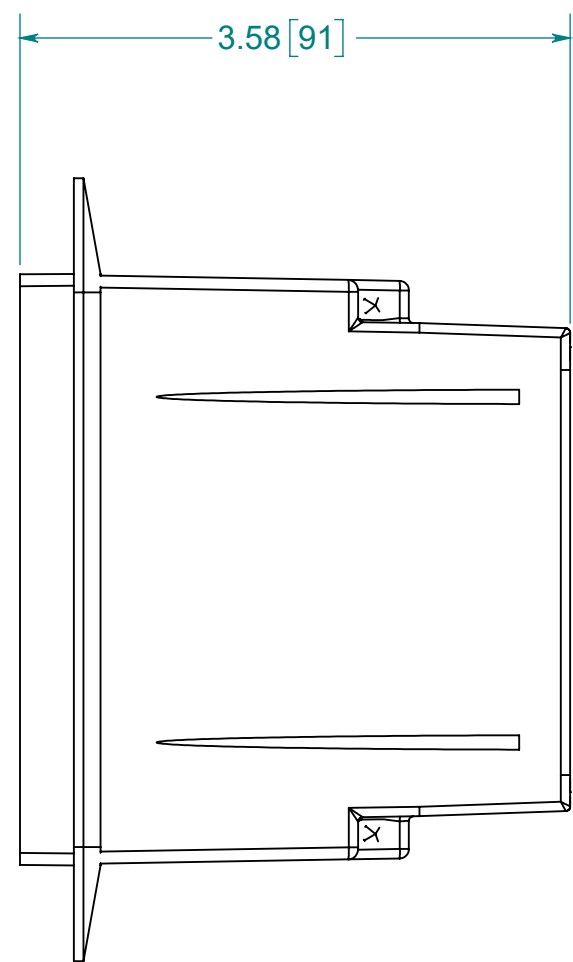
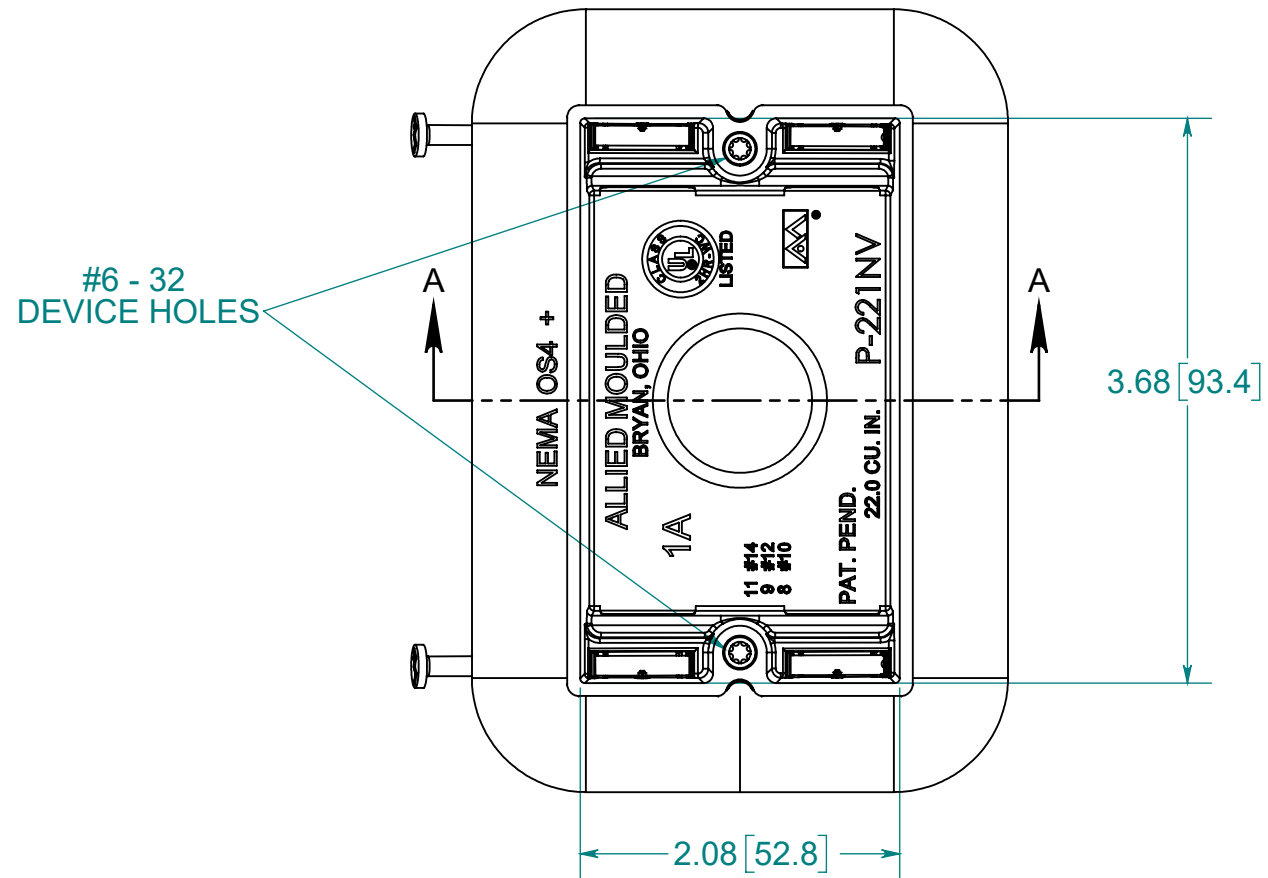


flexBOX®

ISSUE DATE: 4/9/2021



SECTION A-A

- NOTES:**
- 1) BOX MATERIAL: POLYCARBONATE
 - 2) NAIL MATERIAL: PLATED CARBON STEEL
 - 3) FLANGE MATERIAL: TCE
 - 4) UL LISTED WITH 2 HOUR FIRE RATING FOR WALL AND CEILING
 - 5) PART VOLUME: 22.0 CU. IN.



® **ALLIED MOULDED PRODUCTS**
BRYAN, OHIO
The Original Fiber Glass Outlet Box

PRODUCT SERIES
FLEX BOX, VAPOR SEAL, SINGLE GANG, 22.0 CU. IN.

CONFIDENTIAL
THIS MATERIAL IS OWNED BY THE ALLIED MOULDED PRODUCTS COMPANY, IS DISCLOSED IN CONFIDENCE AND IS NOT TO BE REPRODUCED OR DISTRIBUTED WITHOUT PRIOR WRITTEN PERMISSION FROM ALLIED MOULDED PRODUCTS.
© 2018 Allied Moulded Products, Inc.
All Rights Reserved

Part No.
P-221NV