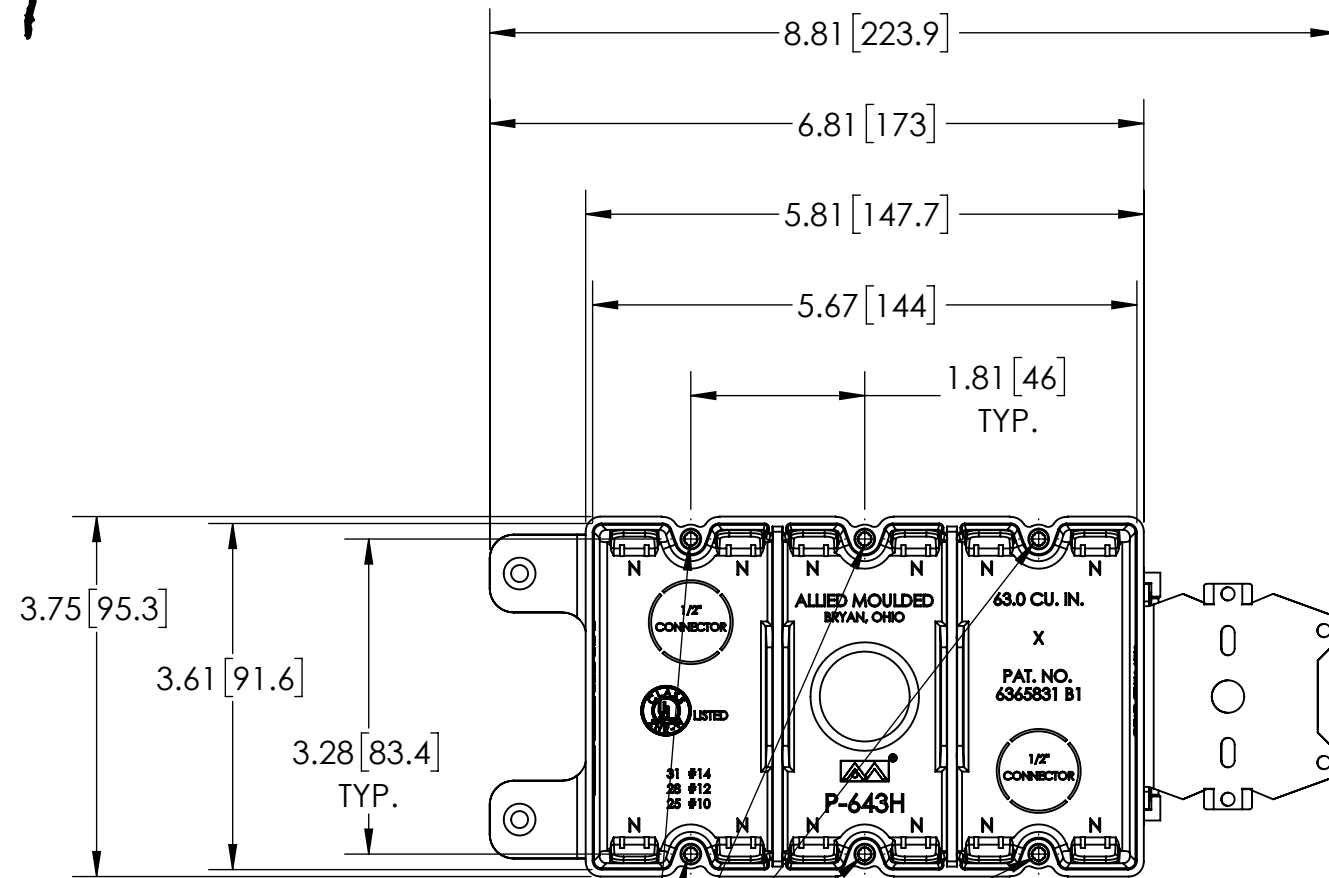
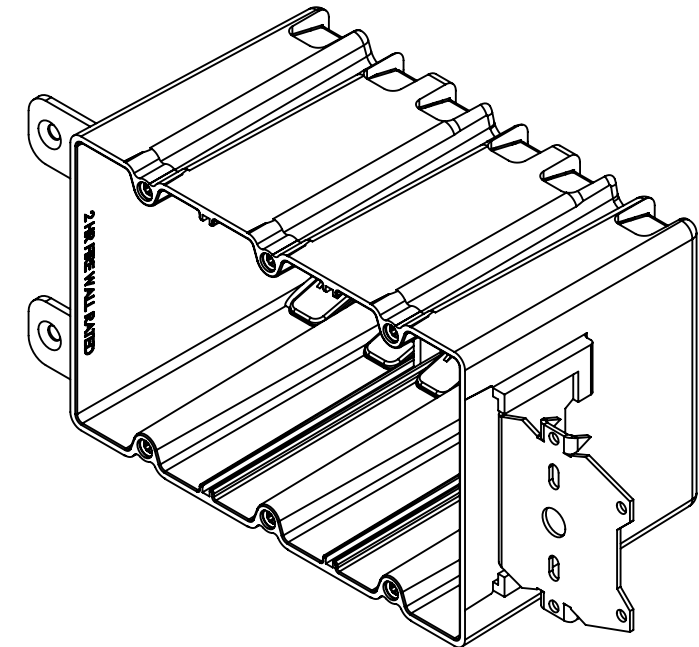
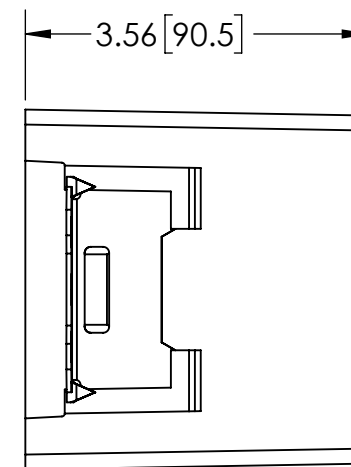


flexBOX[®]

ISSUE DATE: 12/19/2016



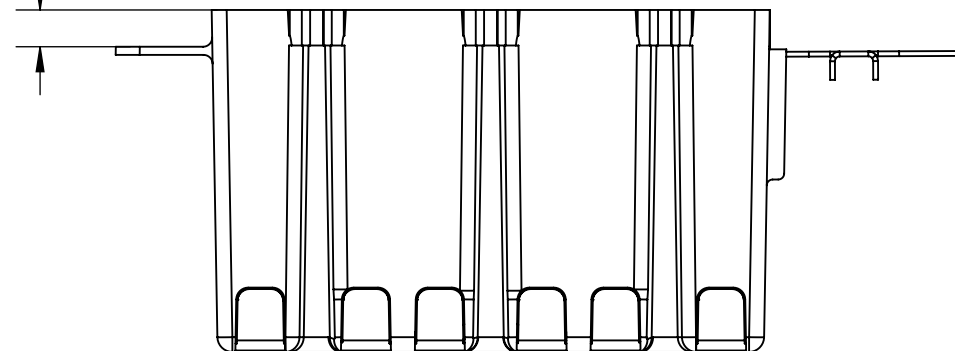
#6-32 MOLDED SPLINE HOLES



NOTES:

- 1.) BOX MATERIAL: POLYCARBONATE, MOUNTING HANGER MATERIAL: GALVANIZED STEEL.
- 2.) UL LISTED WITH 2 HOUR FIRE RATING FOR WALL
- 3.) ACCEPTS LVP-2 LOW VOLTAGE PARTITION

$\frac{3}{8}$ " [9.7] OFFSET



 **ALLIED MOULDED PRODUCTS**
BRYAN, OHIO
The Original Fiber Glass Outlet Box

PRODUCT SERIES

3 GANG 63.0 CU. IN.

Part No.

P-643H

CONFIDENTIAL

THIS MATERIAL IS OWNED BY THE ALLIED MOULDED PRODUCTS COMPANY, IS DISCLOSED IN CONFIDENCE, AND IS NOT TO BE REPRODUCED OR DISTRIBUTED WITHOUT PRIOR WRITTEN PERMISSION FROM ALLIED MOULDED PRODUCTS.