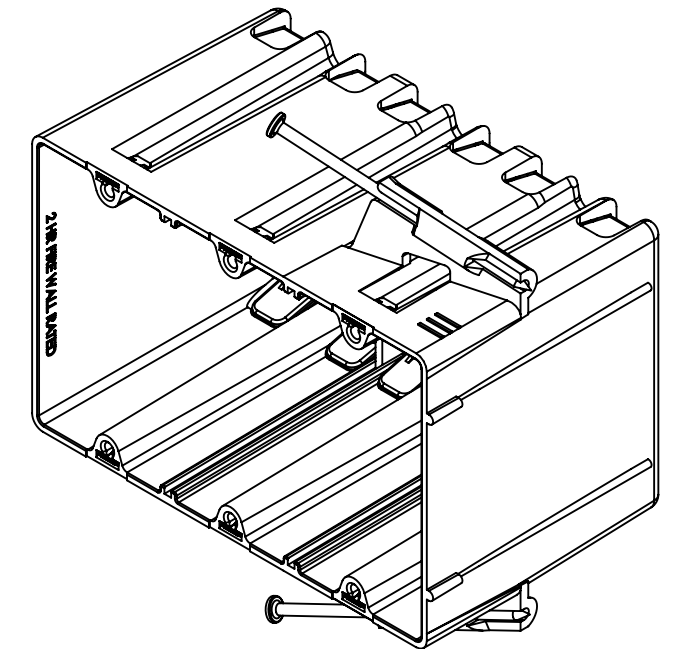
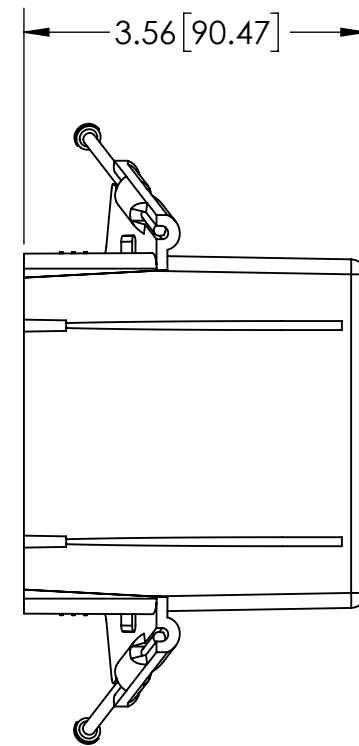
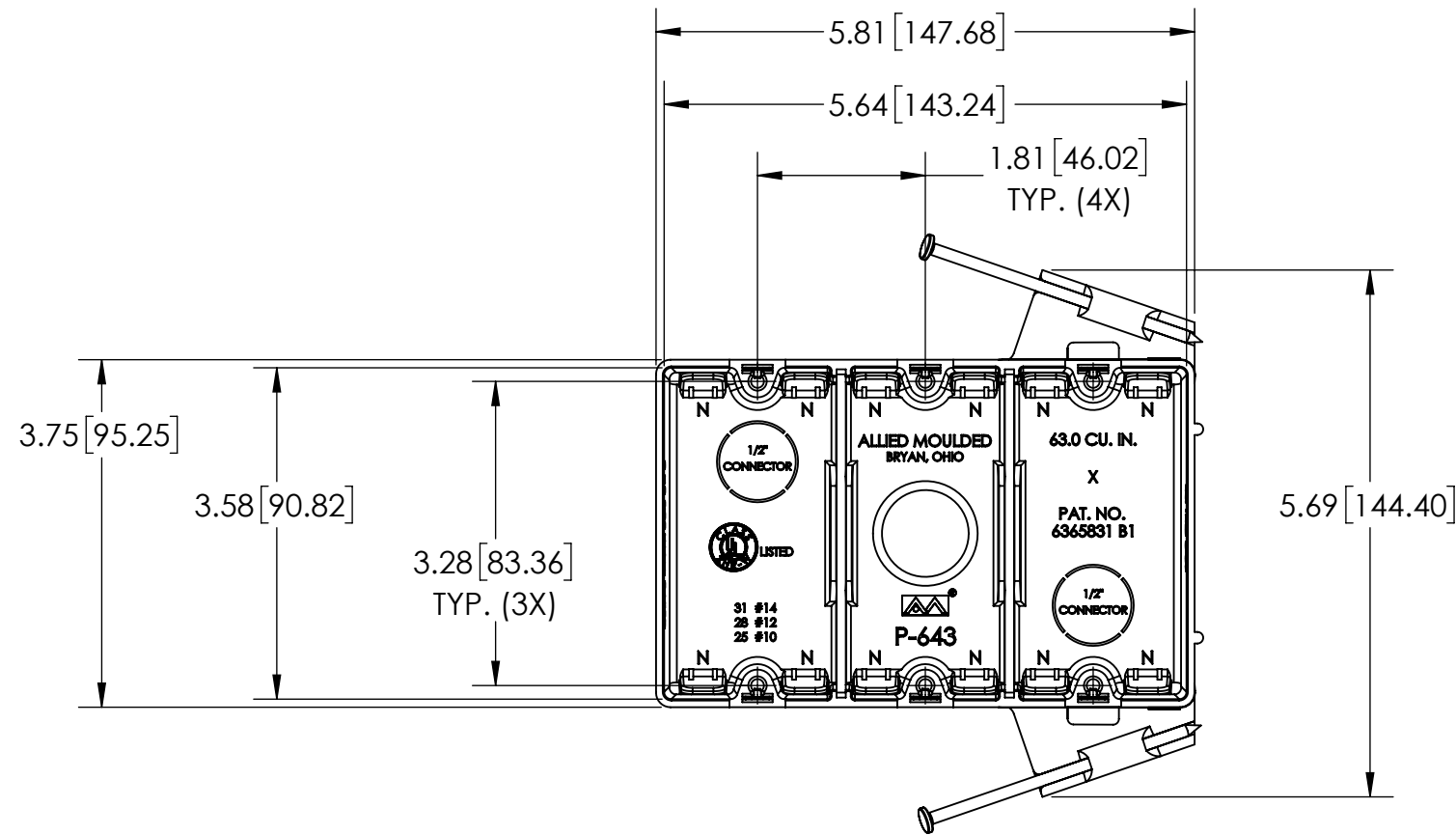
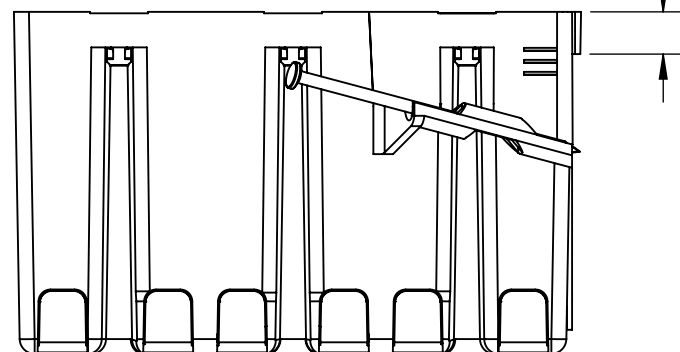


flexBOX[®]

ISSUE DATE: 12/19/2016



$\frac{7}{16}$ " [11.18] OFFSET



NOTES:

- 1.) BOX MATERIAL: POLYCARBONATE, NAIL MATERIAL: PLATED CARBON STEEL, QUICK THREAD MATERIAL: GALVANIZED STEEL
- 2.) ACCEPTS LVP-2 LOW VOLTAGE PARTITION
- 3.) DATA SUBJECT TO CHANGE WITHOUT NOTICE



ALLIED MOULDED PRODUCTS
BRYAN, OHIO

The Original Fiber Glass Outlet Box

PRODUCT SERIES

3 GANG 63.0 CU. IN.

Part No.

P-643QT

CONFIDENTIAL

THIS MATERIAL IS OWNED BY THE ALLIED MOULDED PRODUCTS COMPANY, IS DISCLOSED IN CONFIDENCE, AND IS NOT TO BE REPRODUCED OR DISTRIBUTED WITHOUT PRIOR WRITTEN PERMISSION FROM ALLIED MOULDED PRODUCTS.