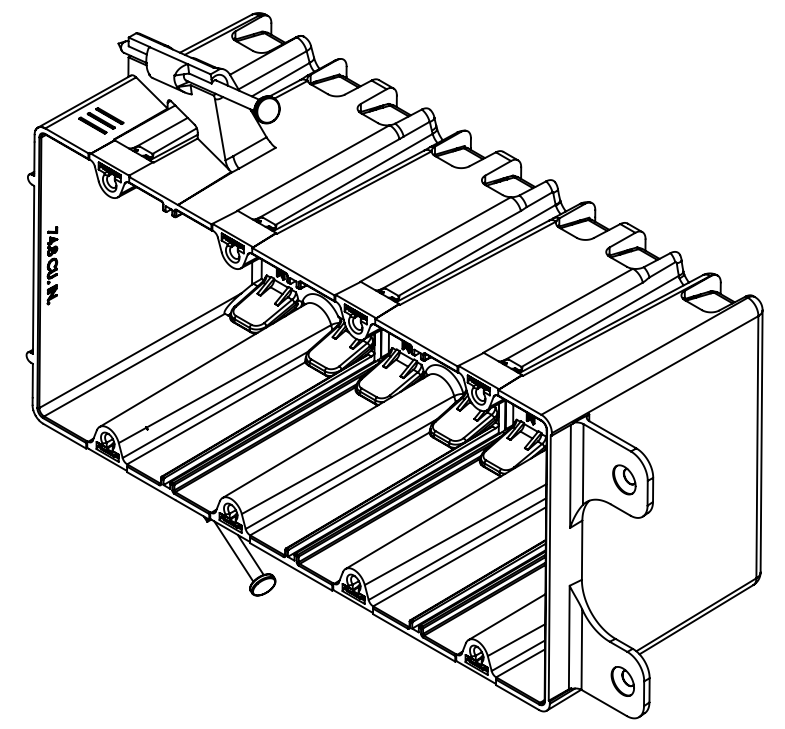
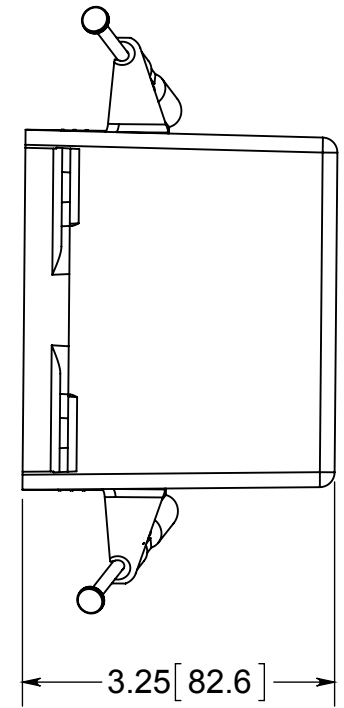
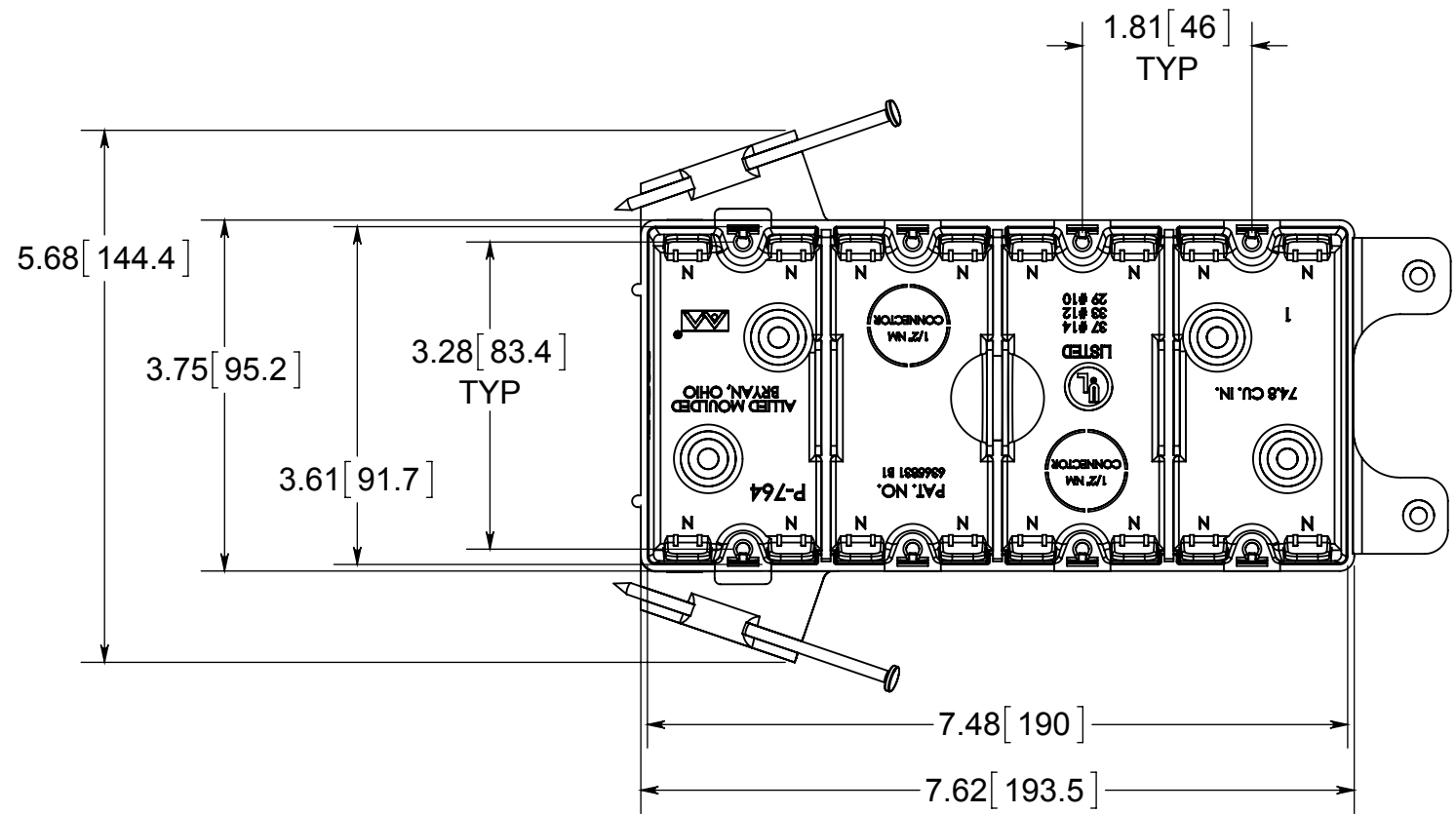
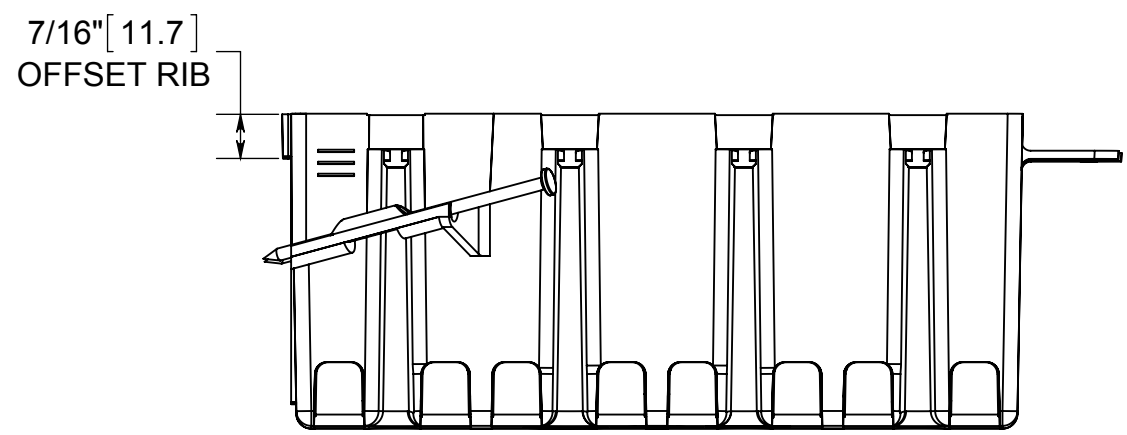


# flexBOX®

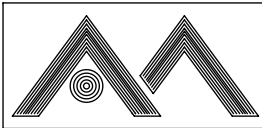
ISSUE DATE: 06/08/2015



NOTES:  
 1.) BOX MATERIAL: POLYCARBONATE, NAIL MATERIAL: PLATED CARBON STEEL, QUICK THREAD MATERIAL: GALVANIZED STEEL



**CONFIDENTIAL**  
 THIS MATERIAL IS OWNED BY THE ALLIED MOULDED PRODUCTS COMPANY, IS DISCLOSED IN CONFIDENCE, AND IS NOT TO BE REPRODUCED OR DISTRIBUTED WITHOUT PRIOR WRITTEN PERMISSION FROM ALLIED MOULDED PRODUCTS.

	<b>ALLIED MOULDED PRODUCTS</b> BRYAN, OHIO The Original Fiber Glass Outlet Box
	PRODUCT SERIES <b>FOUR GANG 74.8 CU. IN.</b>
Part No.	<b>P-764QT</b>