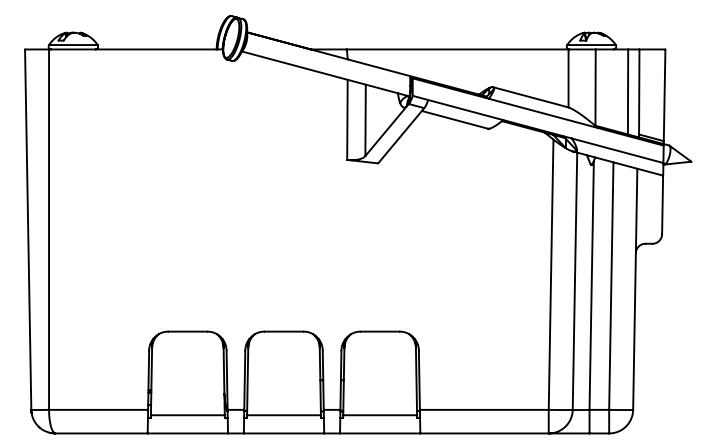
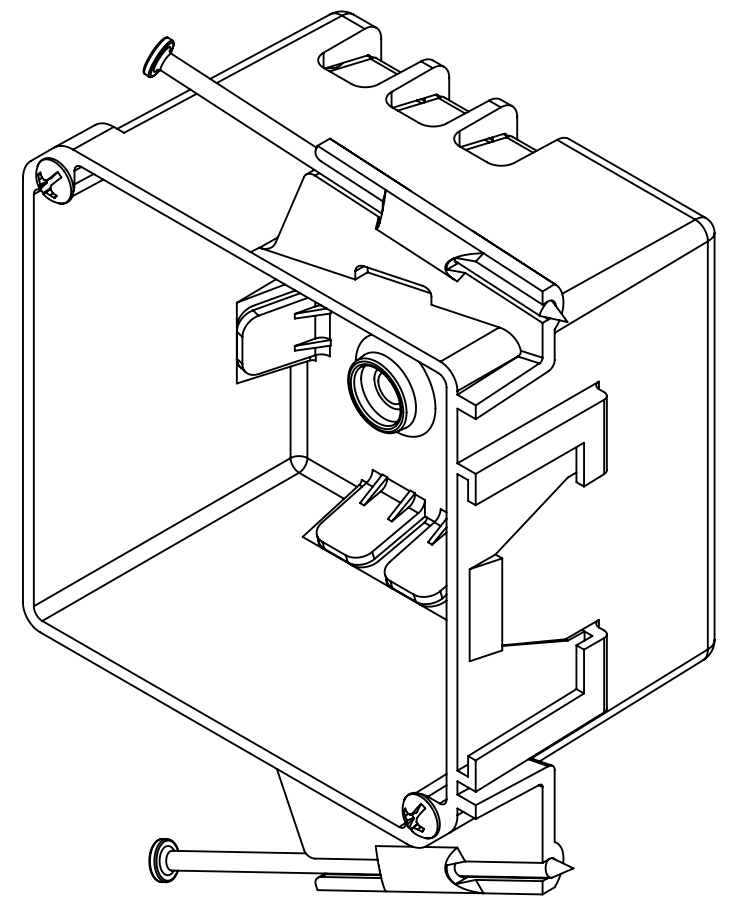
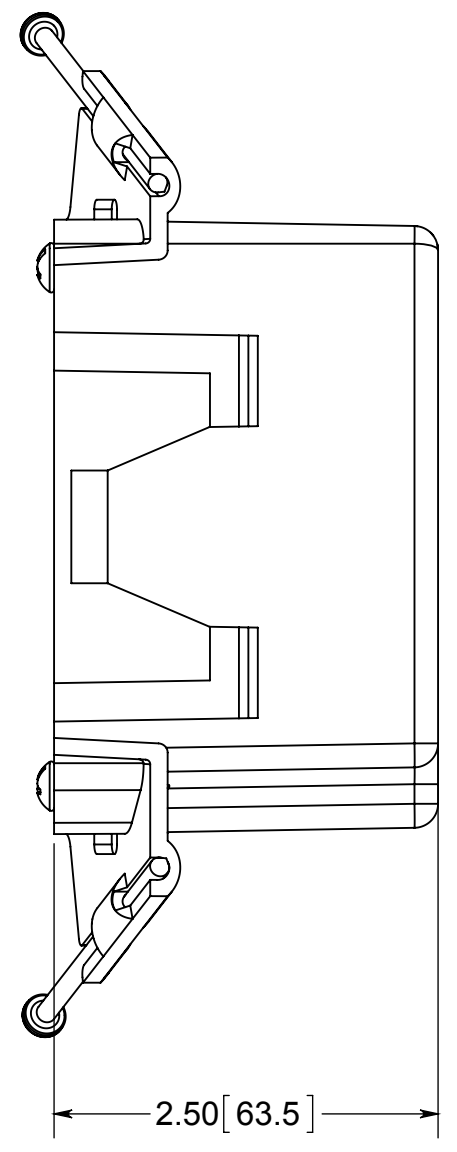
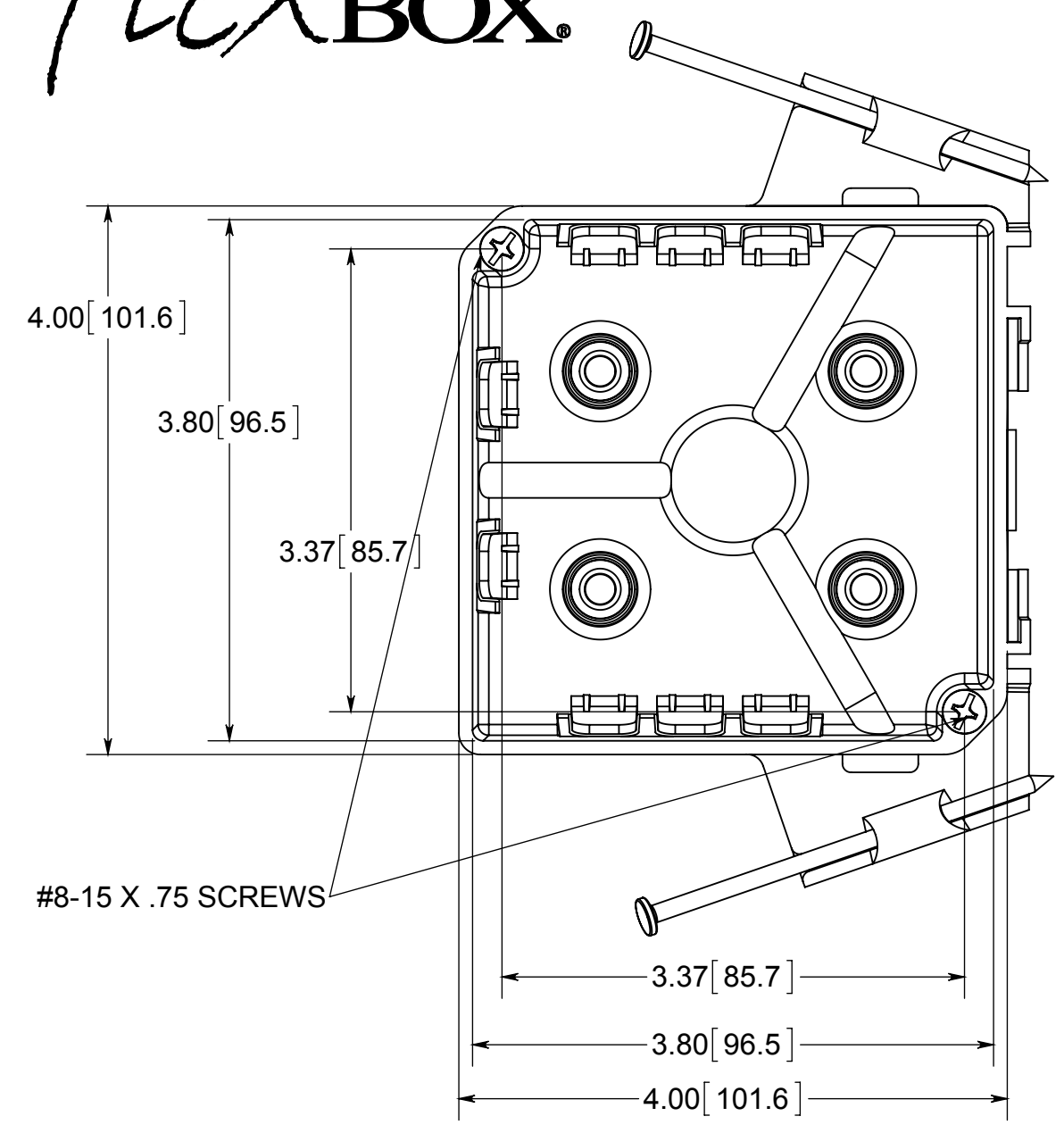
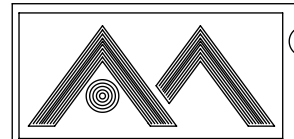


flexBOX®



NOTES:
 1.) BOX MATERIAL: POLYCARBONATE, NAIL MATERIAL: PLATED CARBON STEEL, SCREW MATERIAL: ZINC PLATED STEEL
 2.) UL LISTED WITH 2 HOUR FIRE RATING FOR WALL



® **ALLIED MOULDED PRODUCTS**
 BRYAN, OHIO

The Original Fiber Glass Outlet Box

PRODUCT SERIES

4" SQUARE 32.5 CU. IN.

Part No.

PJ-32N

CONFIDENTIAL
 THIS MATERIAL IS OWNED BY THE ALLIED MOULDED PRODUCTS COMPANY, IS DISCLOSED IN CONFIDENCE, AND IS NOT TO BE REPRODUCED OR DISTRIBUTED WITHOUT PRIOR WRITTEN PERMISSION FROM ALLIED MOULDED PRODUCTS.