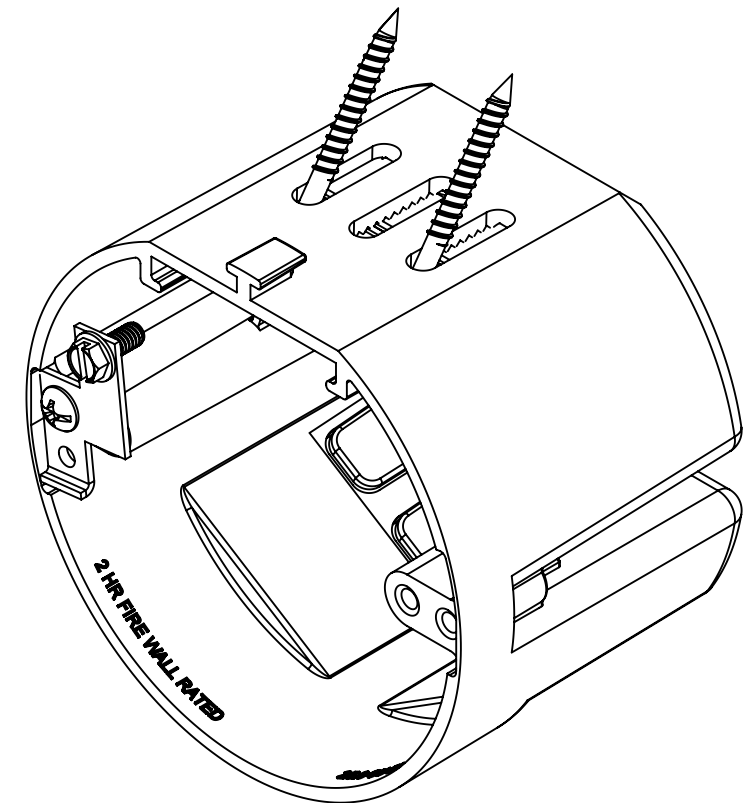
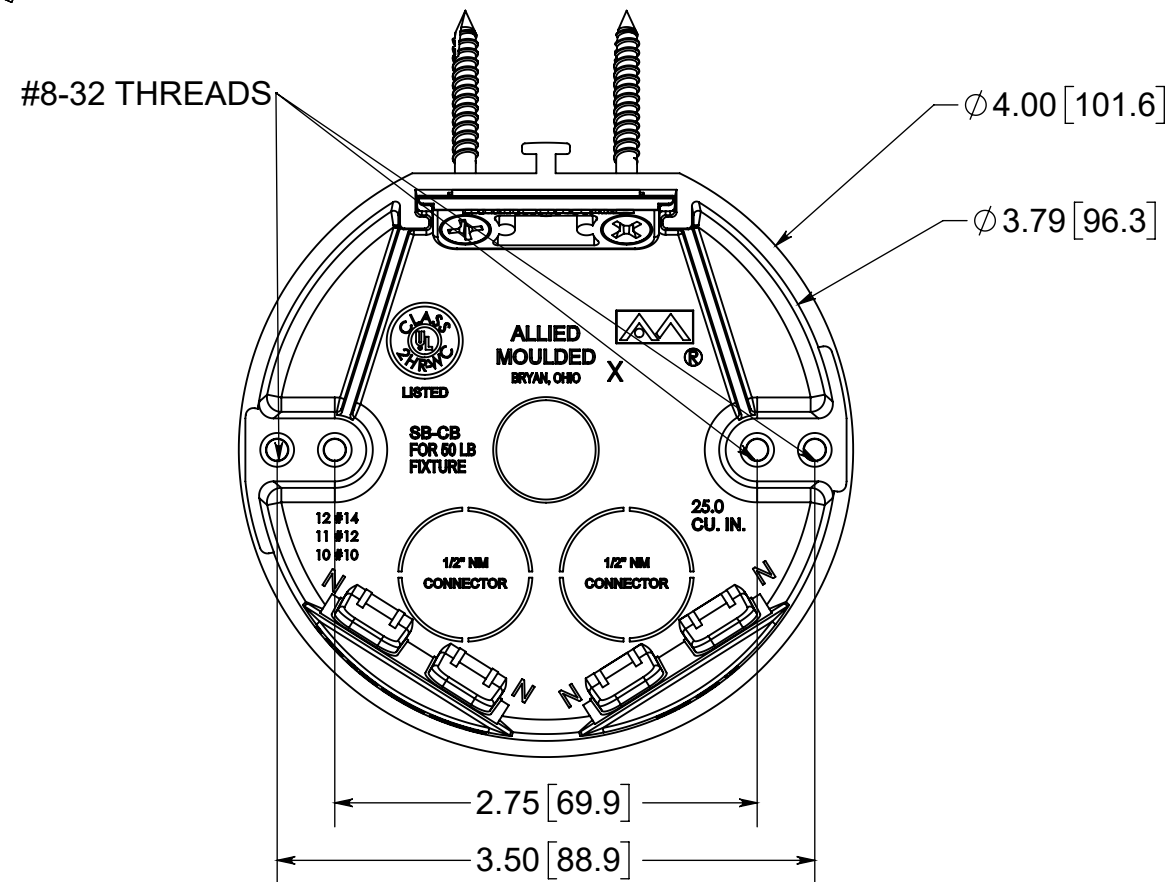


ISSUE DATE: -

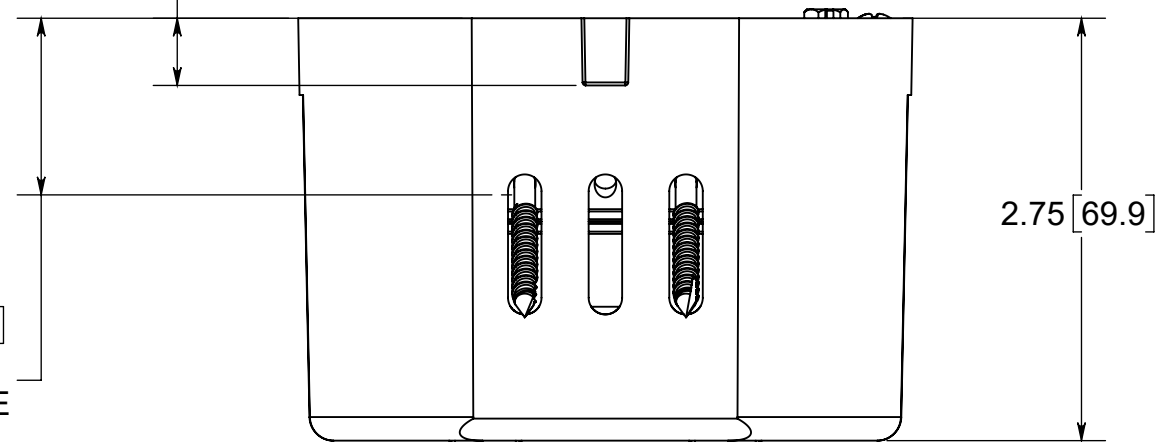


NOTES:

1. BOX MATERIAL: PC, SLIDER PLATE MATERIAL: PC, MOUNTING SCREW MATERIAL: PLATED CARBON STEEL, GROUND STRAP SCREWS MATERIAL: ZINC PLATED STEEL, GROUND STRAP MATERIAL: GALVANIZED STEEL.
2. UL LISTED WITH 2 HOUR FIRE RATING FOR WALL AND CEILING
3. TWO 1/2" NM KNOCKOUTS
4. 50-LB FIXTURE RATING

7/16" [11.1]
OFFSET RIB

1 5/32" [29.2]
MAX
SUBSTRATE
OFFSET



PRODUCT SERIES

SliderBox

Part No.

SB-CBG

CONFIDENTIAL

THIS MATERIAL IS OWNED BY THE ALLIED MOULDED PRODUCTS COMPANY, IS DISCLOSED IN CONFIDENCE AND IS NOT TO BE REPRODUCED OR DISTRIBUTED WITHOUT PRIOR WRITTEN PERMISSION FROM ALLIED MOULDED PRODUCTS.

©2017 Allied Moulded Products, Inc.
All Rights Reserved