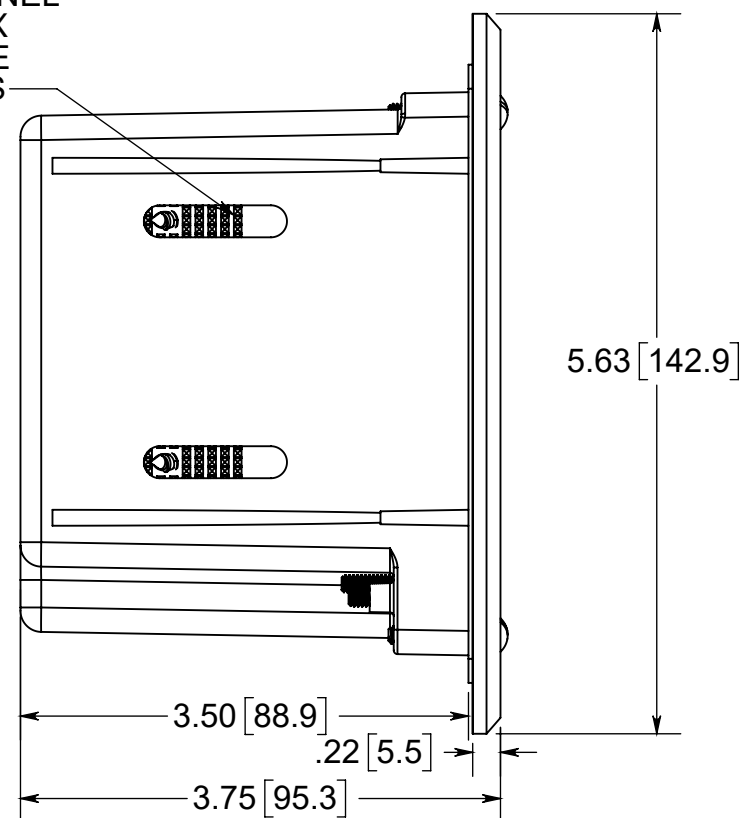
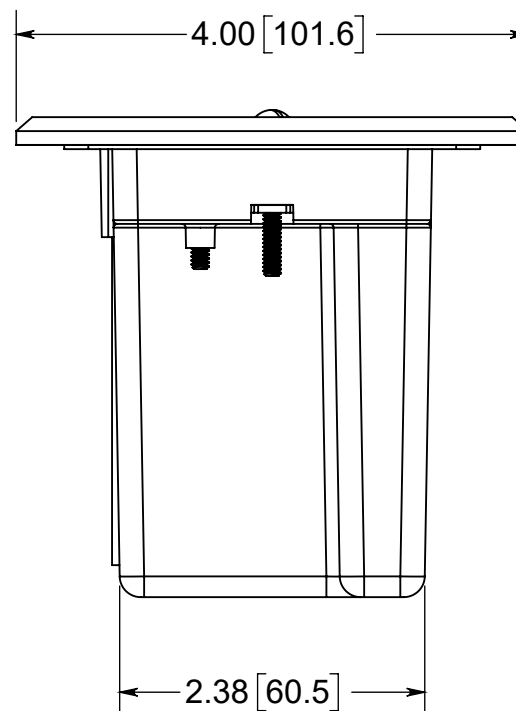
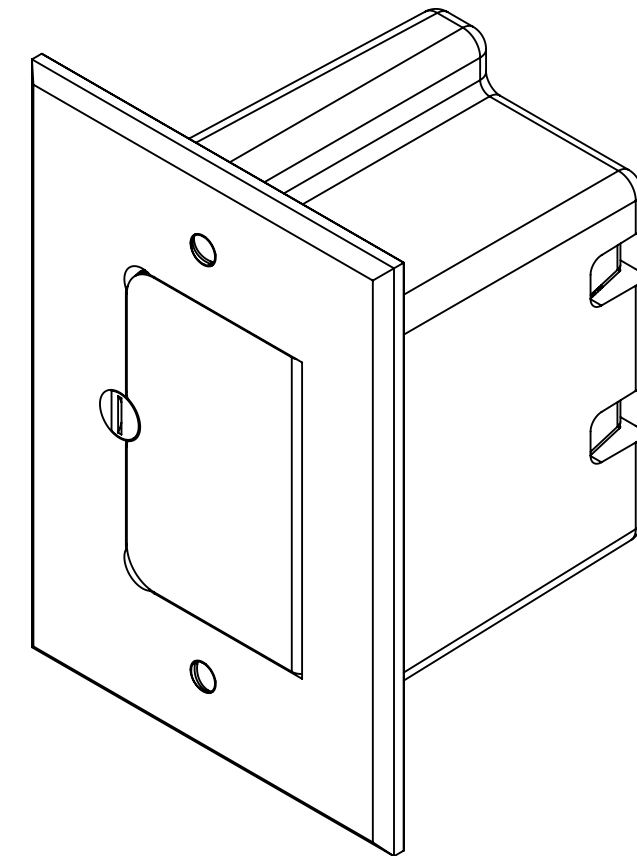
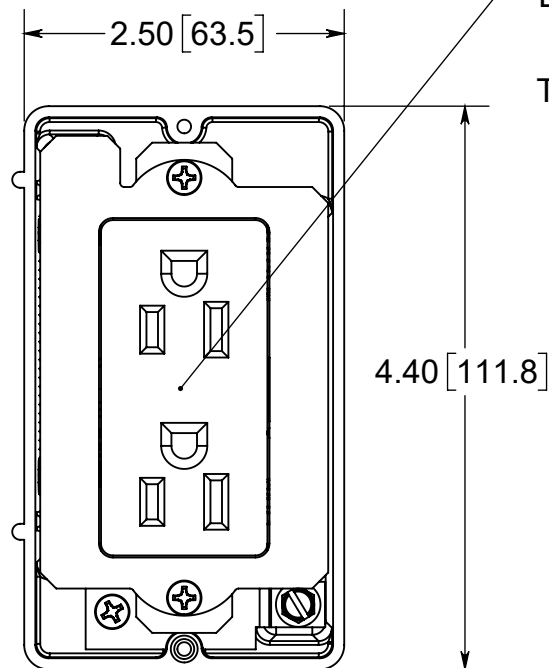


SLIDERBOX[®] FLOOR BOX

ADJUSTABLE MOUNTING PANEL
2" [50.8] MAX SUBSTRATE THICKNESS



STANDARD DECORATIVE STYLE DEVICE
15 AMP, 125V TAMPER RESISTANT



! WARNING:
This product can expose you to chemicals including lead, which is known to the State of California to cause cancer and birth defects or other reproductive harm. For more information go to www.P65Warnings.ca.gov.

NOTES:
1.) BOX MATERIAL: POLYCARBONATE, BOX PLATE MATERIAL: POLYCARBONATE, PLATE MATERIAL: NICKLE PLATED BRASS, COVER MOUNTING SCREW MATERIALS: NICKLE PLATED BRASS, DEVICE MOUNTING SCREW MATERIALS: ZINC PLATED STEEL, FLANGE MOUNTING SCREW MATERIALS: BLACK PHOSPHATE COATED STEEL WING MATERIAL: ZINC PLATED STEEL, GROUND PLATE MATERIAL: ZINC PLATED STEEL, GASKET MATERIALS: POLYURETHANE FOAM
2.) UL LISTED, FLOOR BOX MEETS UL514C SCRUB WATER EXCLUSION TEST

 **ALLIED MOULDED PRODUCTS**
BRYAN, OHIO
The Original Fiber Glass Outlet Box

PRODUCT SERIES
SLIDERBOX FLIP LID FLOOR BOX, NICKEL

Part No.
SBFB-1N

CONFIDENTIAL
THIS MATERIAL IS OWNED BY THE ALLIED MOULDED PRODUCTS COMPANY, IS DISCLOSED IN CONFIDENCE, AND IS NOT TO BE REPRODUCED OR DISTRIBUTED WITHOUT PRIOR WRITTEN PERMISSION FROM ALLIED MOULDED PRODUCTS.