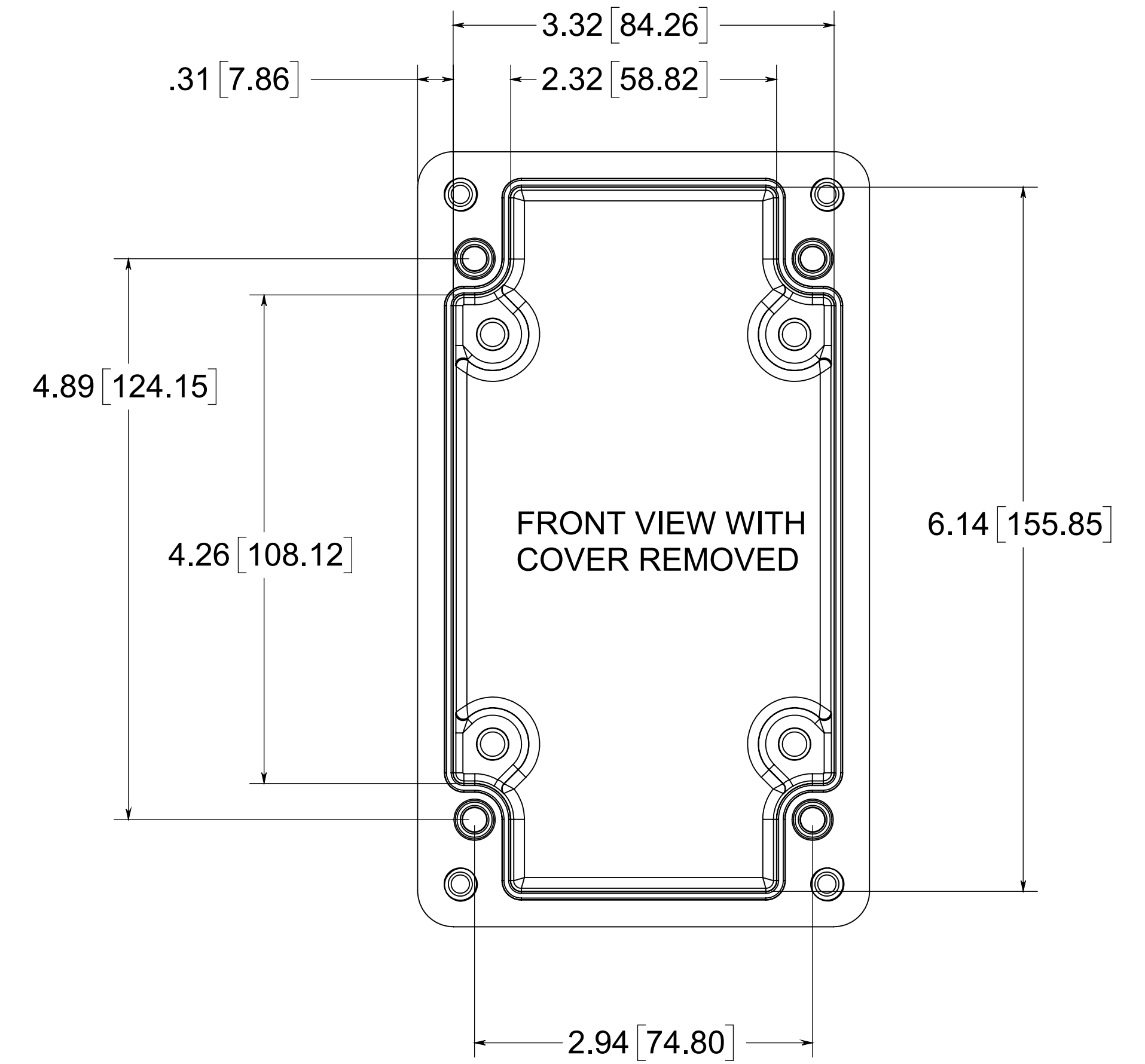
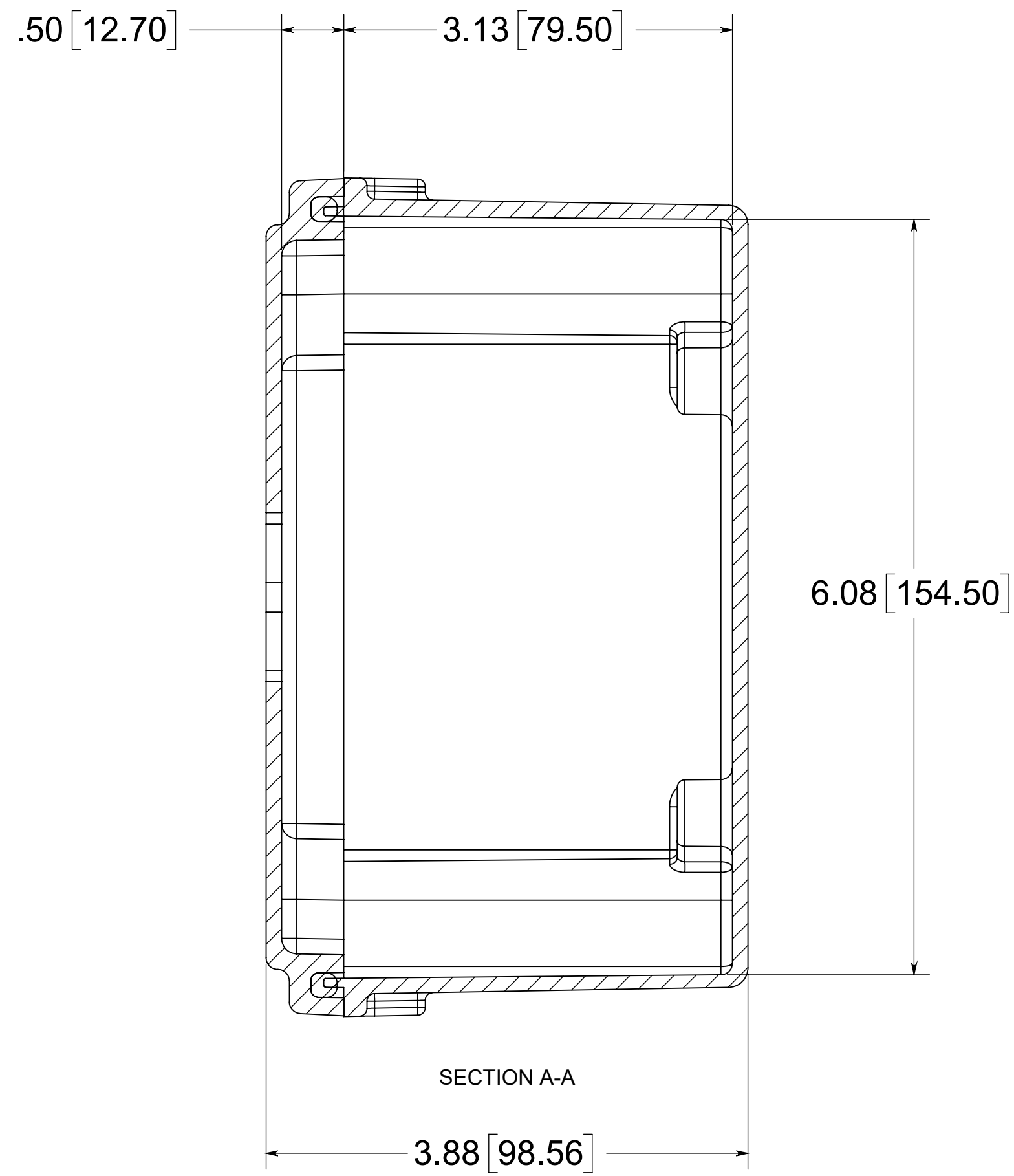
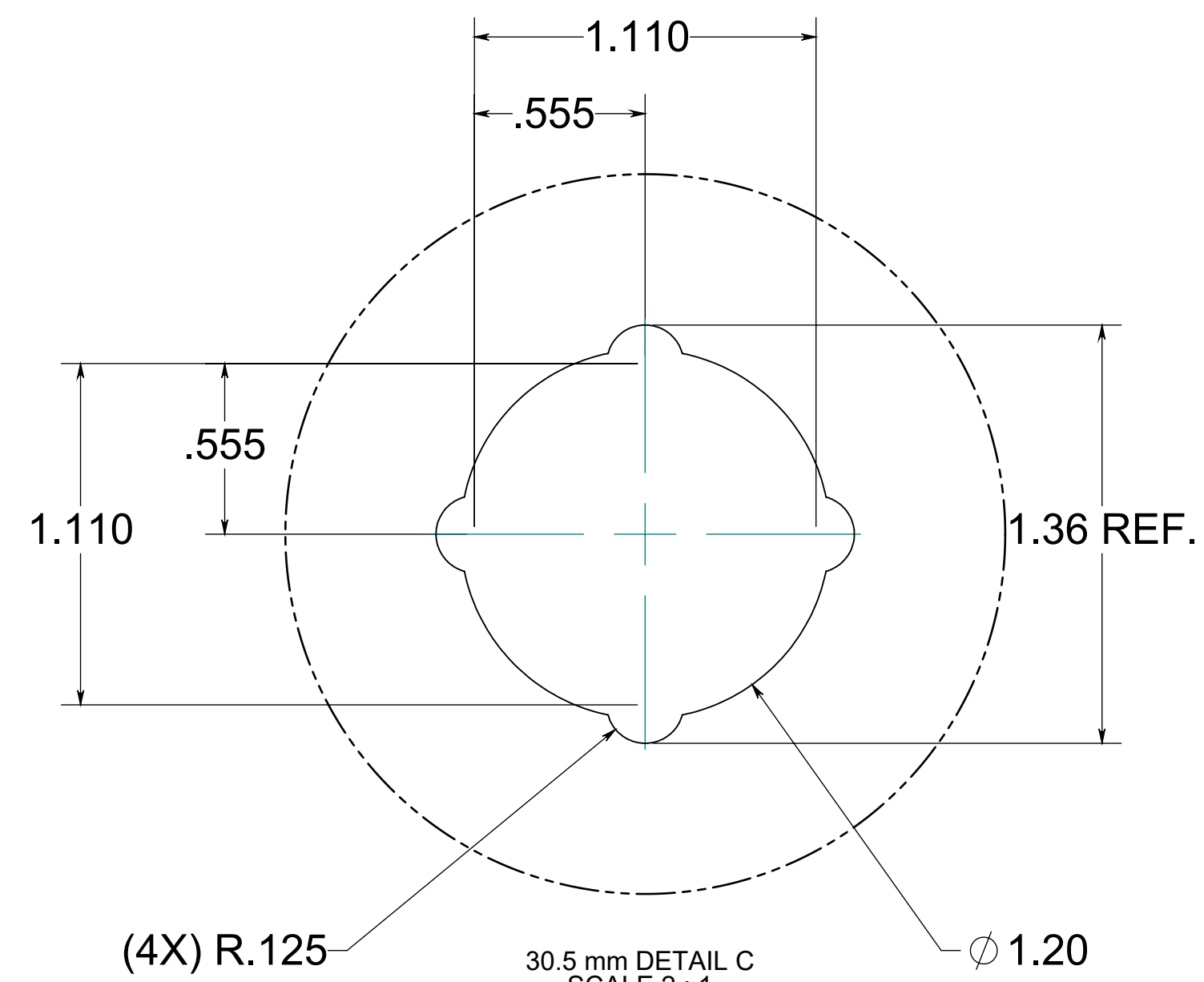
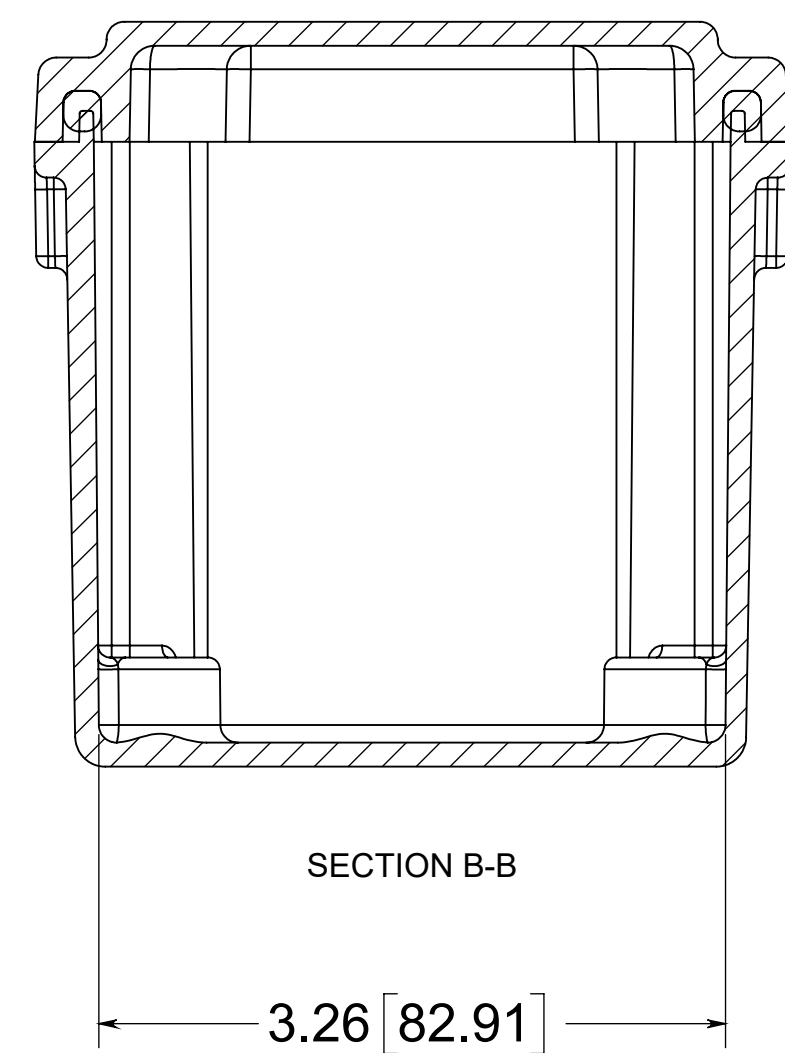


(4) EACH #10-32 BRASS INSERTS AND STAINLESS STEEL COVER SCREWS



FIP
POLYURETHANE
GASKET



NOTE:
1. DATA SUBJECT TO
CHANGE WITHOUT NOTICE

MATERIAL:
BOX & COVER - COMPRESSION MOLDED
FIBERGLASS REINFORCED POLYESTER

CONFIDENTIAL
THIS MATERIAL IS OWNED BY THE ALLIED MOULDED PRODUCTS COMPANY, IS DISCLOSED IN CONFIDENCE, AND IS NOT TO BE REPRODUCED OR DISTRIBUTED WITHOUT PRIOR WRITTEN PERMISSION FROM ALLIED MOULDED PRODUCTS.
© 2018 Allied Moulded Products, Inc.
All Rights Reserved

ALLIED MOULDED PRODUCTS
BRYAN, OHIO
The Original Fiber Glass Outlet Box

Description
AM Series
AM1PB